

# microcubo

inovação & design



Microcubo - Innovation and Design is a urban furniture company based in the district of Porto. It has in-house design and production areas, wich allow it to develop and produce parts with measurements and/or finishing tailored to the needs of the client an/or user.

It is ambtion is to develop technical and prodution solutions that exceed the client's needs, in partnership with a team with different skills, capable of creating value by innovation.

[www.microcubo.pt](http://www.microcubo.pt)

[comercial@microcubo.pt](mailto:comercial@microcubo.pt)

[@microcubourbanfurniture](https://www.instagram.com/microcubourbanfurniture)

Parts registered with INPI - National Institute of Industrial Property



**BANCO|BANCO|BANC|BENCH VERSALHES**

Design Microcubo | Ref: 61.1.2.3



Ref: 61.1.3.3



## BANCO|BANCO|BANÇ|BENCH VERSALHES

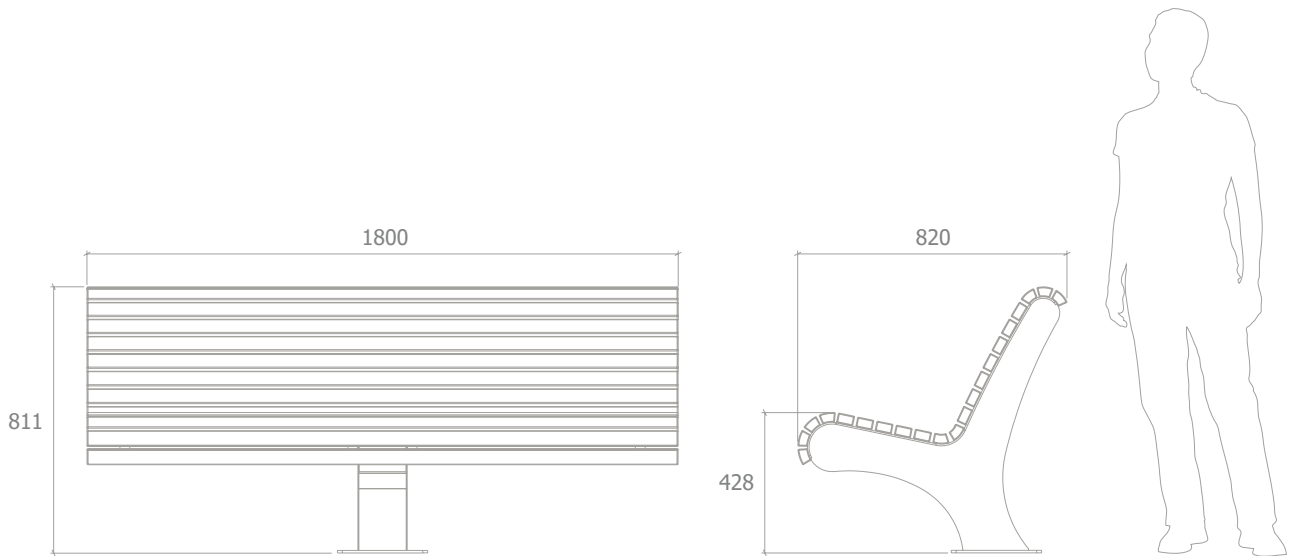
Ferro | Hierro | Acier | Steel **(S235JR)**

Metalização | Metalización | Métallisation | Metallization **SA2 1.5**

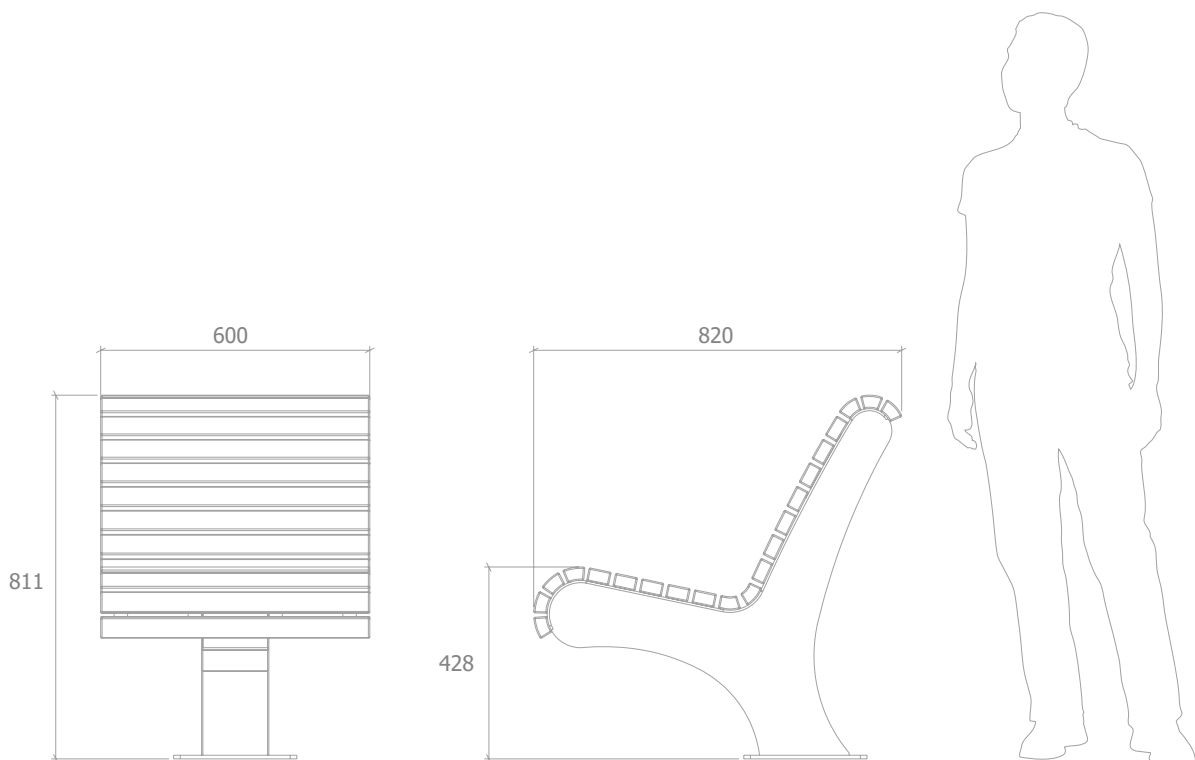
Cor | Color | Couleur | Color **Forja Y764**

Madeira | Madera | Bois | Wood **Kambala**

Fixação | Fijación | Fixation | Fixing - **A4**



Ref: 61.1.2.3



Ref: 61.1.3.3

**BANCO**|BANCO|BANC|BENCH T

Design de autor: Arq. Amélia Santos | Arq. Miguel Carvalho  
Ref: 35.1.2.3



## BANCO|BANCO|BANC|BENCH T

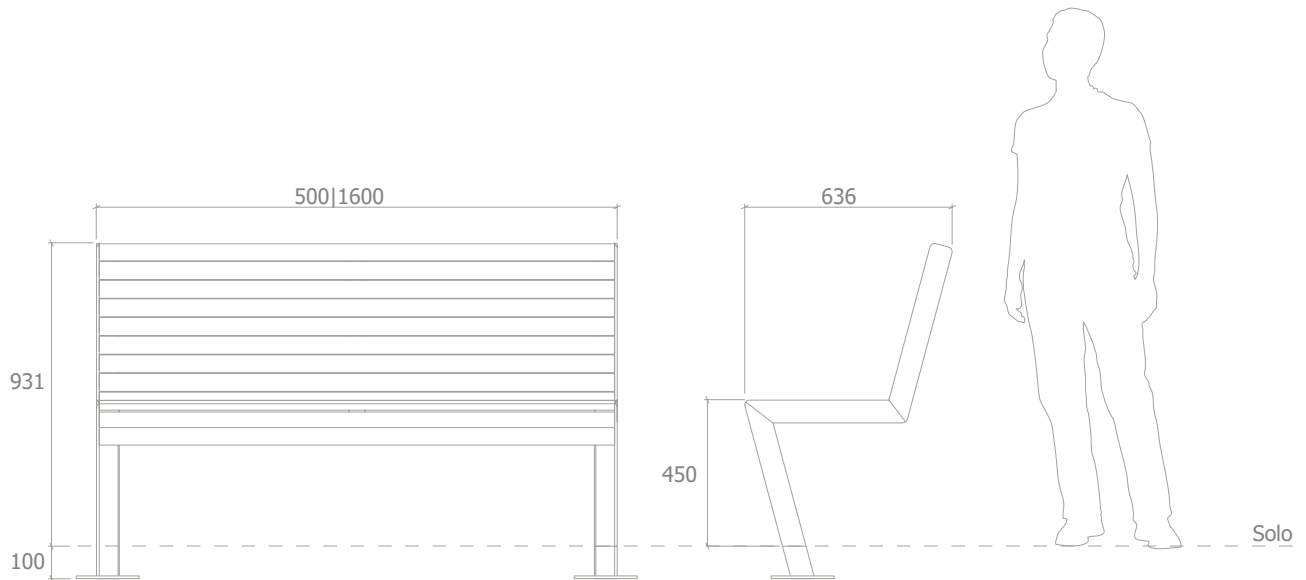
Ferro | Hierro | Acier | Steel **(S235JR)**

Metalação | Metalización | Métallisation | Metallization **SA2 1.5**

Cor | Color | Couleur | Color **Forja Y764**

Madeira | Madera | Bois | Wood **Kambala**

Fixação | Fijación | Fixation | Fixing - **A3**



Design de autor: Arq. Amélia Santos | Arq. Miguel Carvalho | Ref: 35.1.2.3

**BANCO|BANCO|BANC|BENCH INTER**

Design Microcubo | Ref: 69.1.2.3



**BANCO|BANCO|BANC|BENCH SOL**

Design Microcubo | Ref: 36.1.2.1



Ref: 36.1.2.1 + 36.1.5.1



## BANCO|BANCO|BANC|BENCH INTER

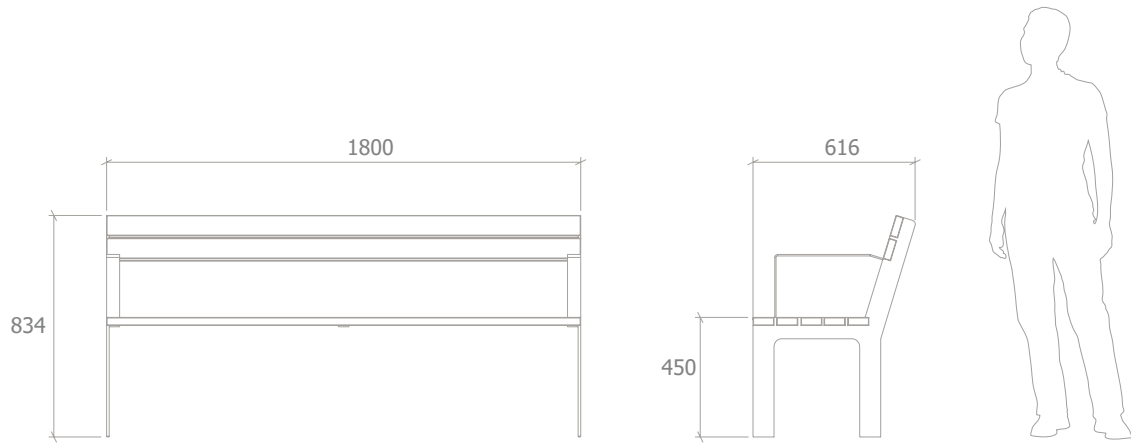
Ferro | Hierro | Acier | Steel (S235JR)

Metaliação | Metalización | Métallisation | Metallization SA2 1.5

Cor | Color | Couleur | Color Forja Y764

Madeira | Madera | Bois | Wood Kambala

Fixação | Fijación | Fixation | Fixing - A4



Ref: 36.1.5.1

## BANCO|BANCO|BANC|BENCH SOL

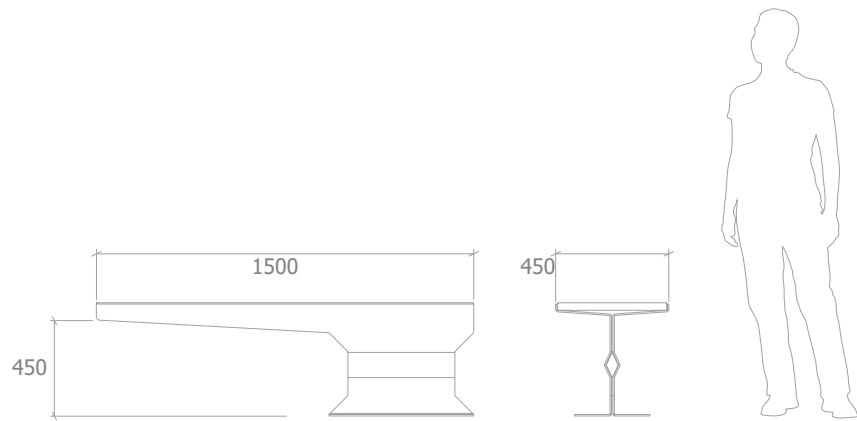
Ferro | Hierro | Acier | Steel (S235JR)

Galvanização | Galvanización | Galvanisation | Galvanization

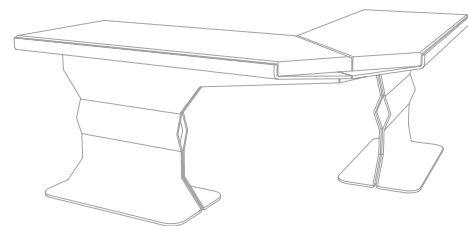
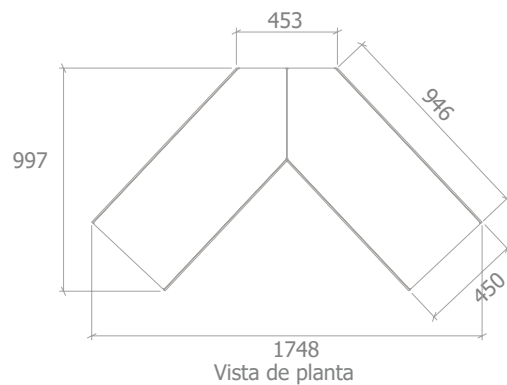
Cor | Color | Couleur | Color Forja Y764

Assento em Betão, HPC ou madeira Kambala | Asiento en Hormigón, con opción en madera WPC o Kambala | Siège en béton, avec option en bois WPC ou Kambala | Seat in Concrete, with option in WPC or Kambala wood

Fixação | Fijación | Fixation | Fixing - A4



Ref: 36.1.2.1



Ref: 69.1.2.3



**BANCO|BANCO|BANC|BENCH CR**

Design de autor: Arq. Carlos Campos | Ref: 37.1.2.1



**BANCO|BANCO|BANC|BENCH SALVI**

Design de autor: Diogo Frias | Ref: 58.1.2.1



**BANCO|BANCO|BANC|BENCH STRONGER**

Design Microcubo | Ref: 14.1.2.1



**BANCO|BANCO|BANC|BENCH BOOMERANG**

Design de autor: Arq. Amélia Santos | Arq. Miguel Carvalho  
Ref: 49.1.2.1



## BANCO|BANCO|BANÇ|BENCH CR/SALVI/STRONGER/BOOMERANG

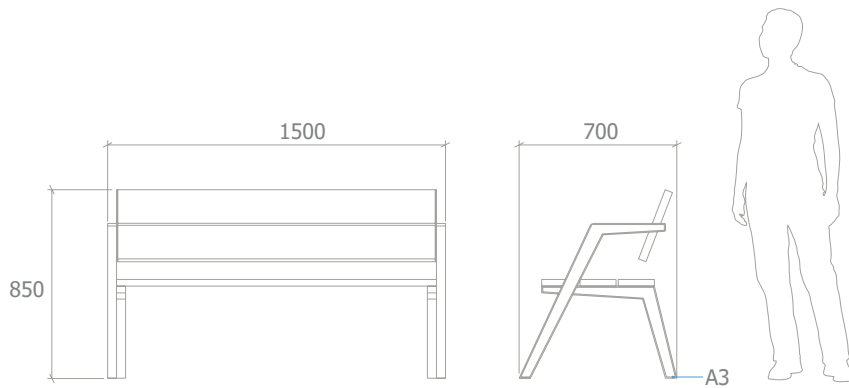
Ferro fundido | Hierro fundido | Fonte | Cast Iron (S235JR)/Aço corten

Metalização | Metalización | Métallisation | Metallization SA2 1.5

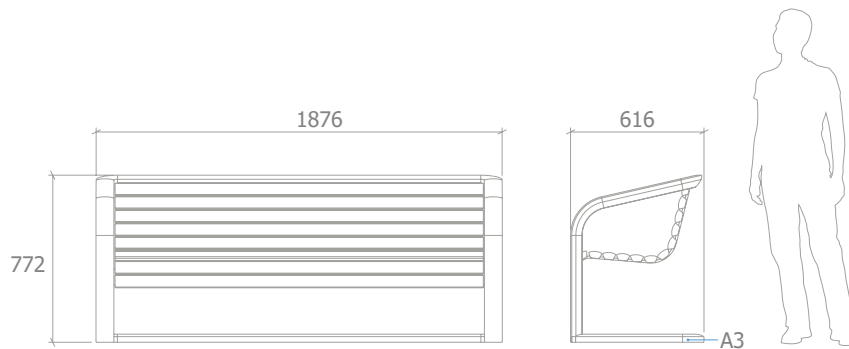
Cor | Color | Couleur | Color Forja Y764

Madeira | Madera | Bois | Wood Kambala

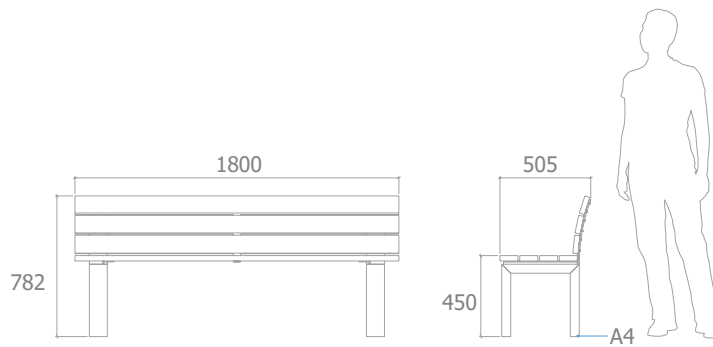
Fixação | Fijación | Fixation | Fixing - A3/A4



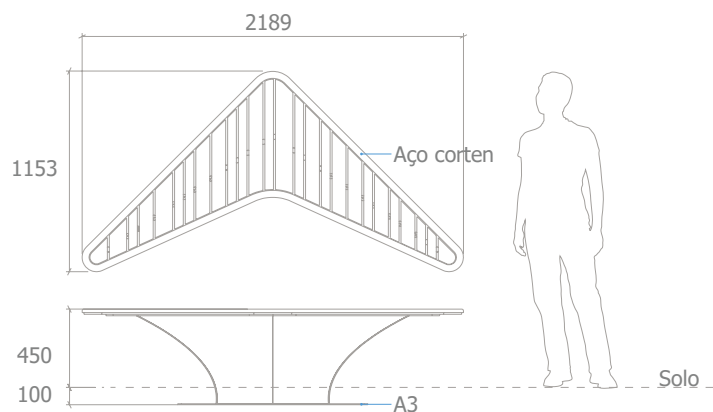
Design de autor: Arq. Carlos Campos | Ref: 37.1.2.1



Design de autor: Diogo Frias | Ref: 58.1.2.1



Ref: 14.1.2.1



Design de autor: Arq. Amélia Santos | Arq. Miguel Carvalho | Ref: 49.1.2.1

**BANCO|BANCO|BANC|BENCH URBAN IRON**

Design de autor: Arq. Joana Saraiva | Ref: 59.1.2.1



**CADEIRA|SILLA|CHAISE|CHAIR URBAN IRON**

Design de autor: Arq. Joana Saraiva | Ref: 59.23.1.1



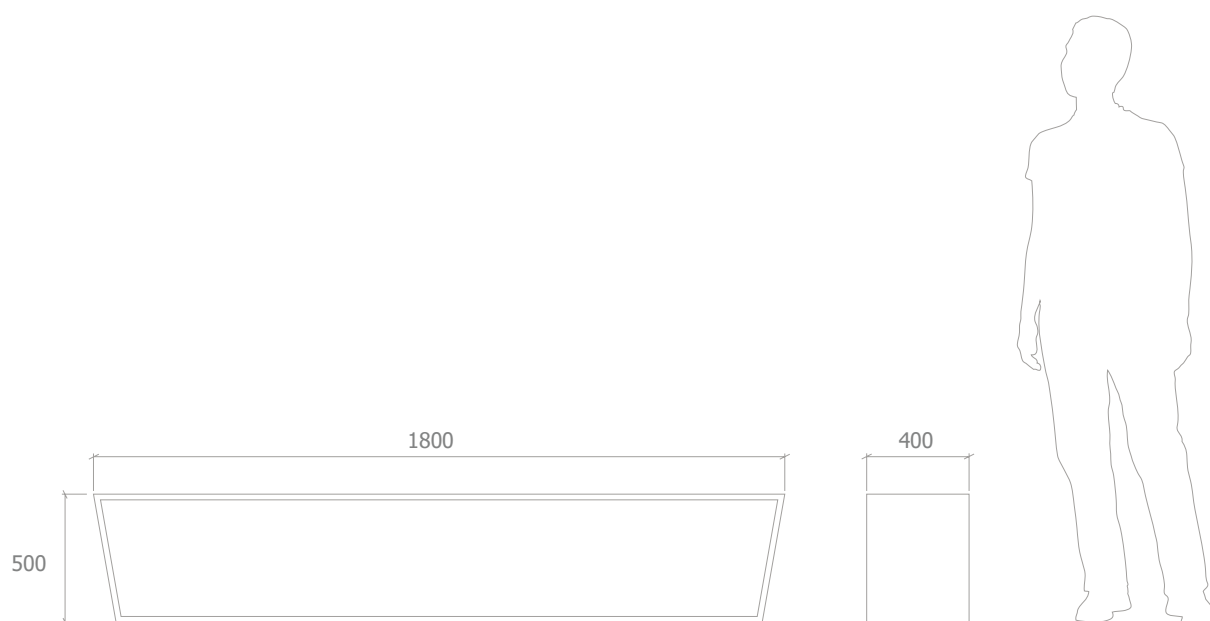
## BANCO|BANCO|BANC|BENCH URBAN IRON/CADEIRA URBAN IRON

Ferro | Hierro | Acier | Steel (S235JR)

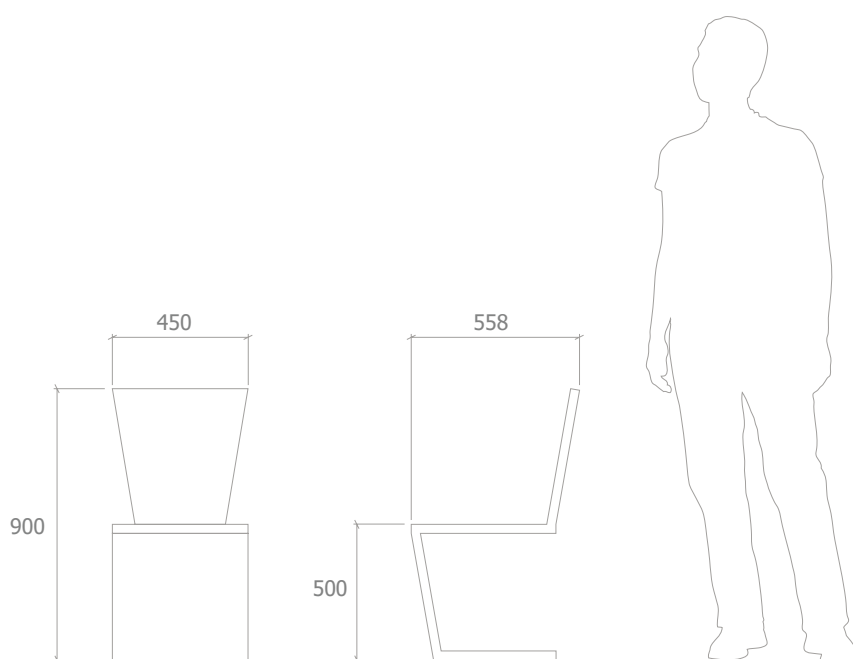
Metalação | Metalización | Métallisation | Metallization SA2 1.5

Cor | Color | Couleur | Color Forja Y764

Fixação | Fijación | Fixation | Fixing - A3



Design de autor: Arq. Joana Saraiva | Ref: 59.1.2.1



Design de autor: Arq. Joana Saraiva | Ref: 59.23.1.1

**BANCO|BANCO|BANC|BENCH PAINEL**

Design Microcubo | Ref: 23.1.2.1



**BANCO|BANCO|BANC|BENCH ALA**

Design de autor: Arq. João Rodrigues e Arq. Gonçalo Nunes  
Ref: 80.1.2.3



**BANCO|BANCO|BANC|BENCH NÚVEM**

Design Microcubo | Ref: 41.20.1.1 + Ref: 41.1.2.3



## BANCO|BANCO|BANC|BENCH PAINEL/ALA

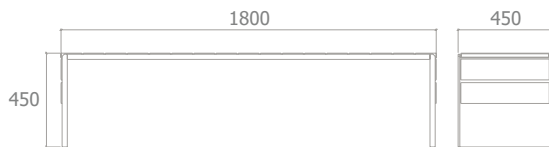
Ferro | Hierro | Acier | Steel **(S235JR)**

Metalização | Metalización | Métallisation | Metallization **SA2 1.5**

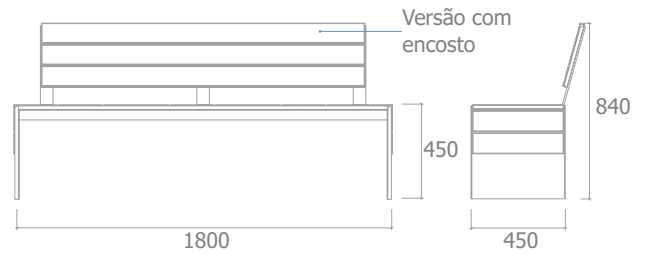
Cor | Color | Couleur | Color **Forja Y764**

Madeira | Madera | Bois | Wood **Kambala**

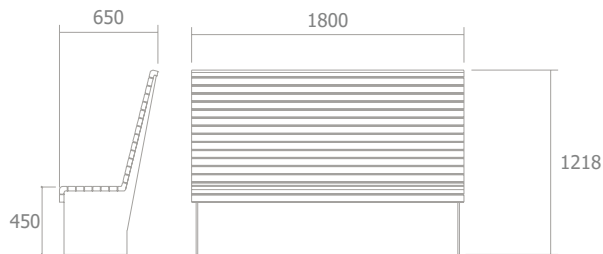
Fixação | Fijación | Fixation | Fixing - **A4**



Ref: 23.1.2.1



Ref: 23.1.2.3



Design de autor: Arq. João Rodrigues e Arq. Gonçalo Nunes  
Ref: 80.1.2.3



Design de autor: Arq. João Rodrigues e Arq. Gonçalo Nunes  
Ref: 80.1.2.2

## BANCO|BANCO|BANC|BENCH NUVEM

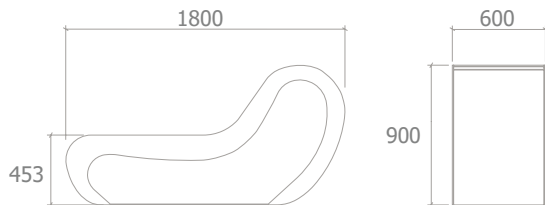
Ferro | Hierro | Acier | Steel **(S235JR)**

Metalização | Metalización | Métallisation | Metallization **SA2 1.5**

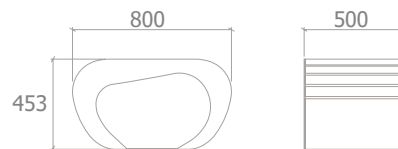
Cor | Color | Couleur | Color **Forja Y764**

Madeira | Madera | Bois | Wood **Kambala**

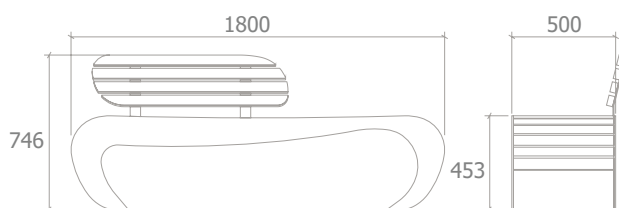
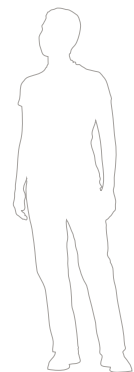
Fixação | Fijación | Fixation | Fixing - **A4**



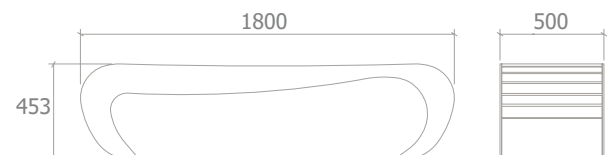
Ref: 41.20.1.1



Ref: 41.1.3.2



Ref: 41.1.2.3



Ref: 41.1.2.1

**BANCO|BANCO|BANC|BENCH BOLD**

Design Microcubo | Ref: 32.1.1.3.1



Ref: 32.1.2.1



**BANCO|BANCO|BANC|BENCH MIUZ**

Design Microcubo | Ref: 60.1.2.1 + 60.1.2.6



**BANCO|BANCO|BANC|BENCH SQUARE**

Design Microcubo | Ref: 2.1.2.1 + 2.1.3.1



## BANCO|BANCO|BANC|BENCH BOLD

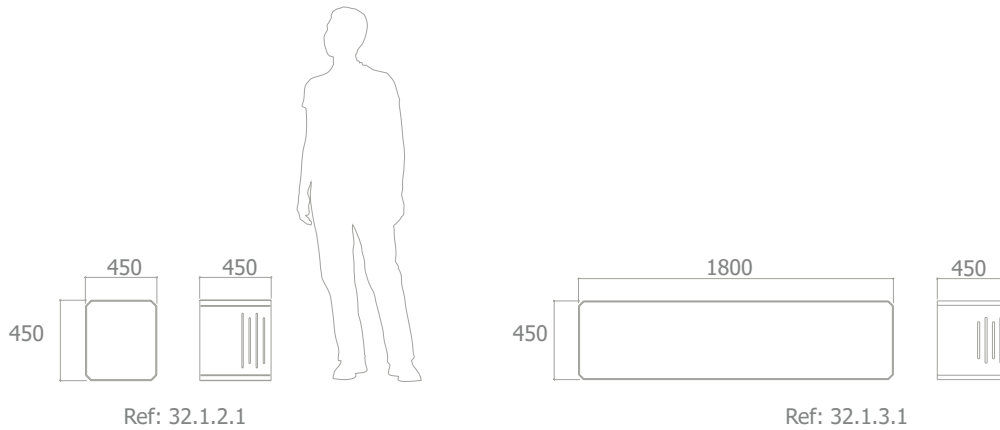
Ferro | Hierro | Acier | Steel (**S235JR**)

Metalização | Metalización | Métallisation | Metallization **SA2 1.5**

Cor | Color | Couleur | Color **Forja Y764**

Madeira | Madera | Bois | Wood **Kambala**

Fixação | Fijación | Fixation | Fixing - **A4**



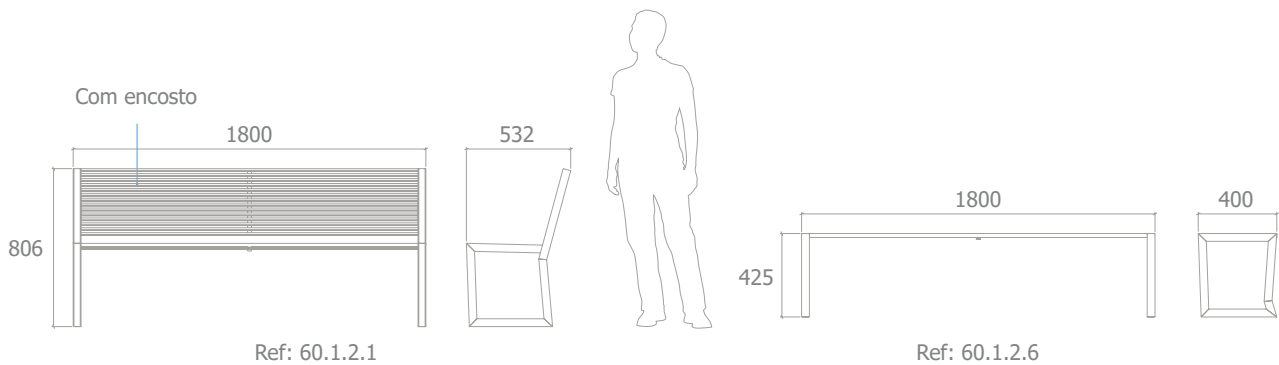
## BANCO|BANCO|BANC|BENCH MIUZ

Ferro | Hierro | Acier | Steel (**S235JR**)

Metalização | Metalización | Métallisation | Metallization **SA2 1.5**

Cor | Color | Couleur | Color **Forja Y764**

Fixação | Fijación | Fixation | Fixing - **A4**



## BANCO|BANCO|BANC|BENCH SQUARE

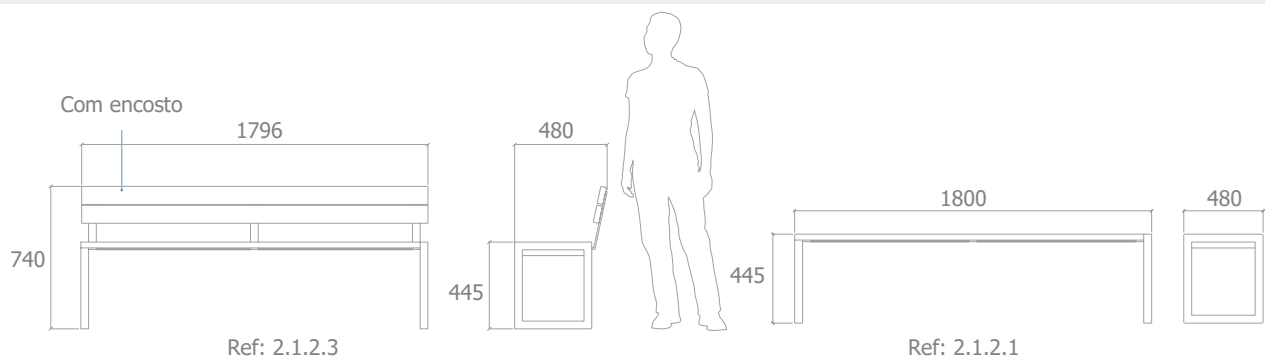
Ferro | Hierro | Acier | Steel (**S235JR**)

Metalização | Metalización | Métallisation | Metallization **SA2 1.5**

Cor | Color | Couleur | Color **Forja Y764**

Madeira | Madera | Bois | Wood **Kambala**

Fixação | Fijación | Fixation | Fixing - **A2**





**BANCO|BANCO|BANC|BENCH NODULAR**

Design Microcubo | Ref: 65.1.2.3



**BANCO|BANCO|BANC|BENCH SIMPLA**

Design Microcubo | Ref: 28.1.3.3



## BANCO|BANCO|BANÇ|BENCH NODULAR/SIMPLA

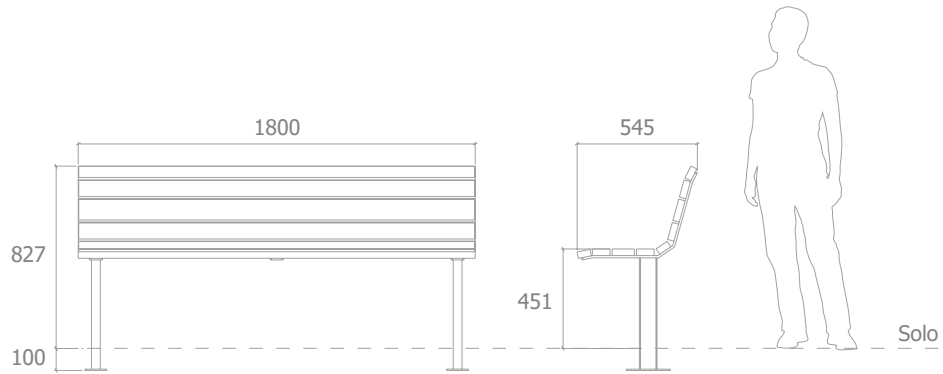
Ferro fundido | Hierro fundido| Fonte | Cast Iron **(S235JR)**

Metalação | Metalización | Métallisation | Metallization **SA2 1.5**

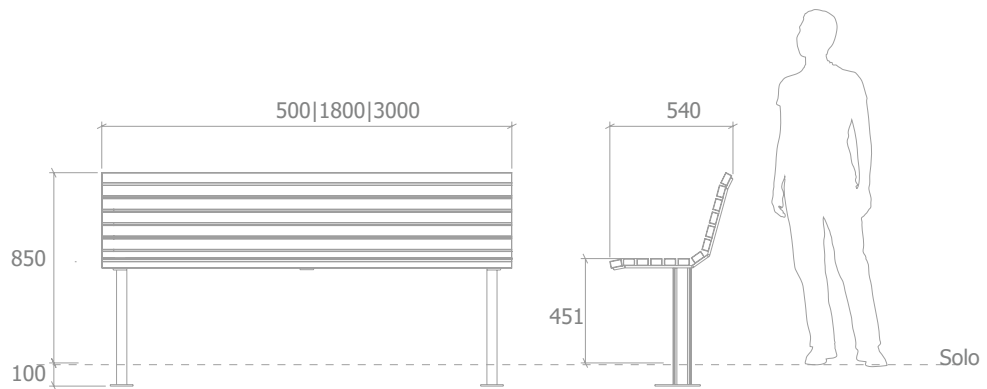
Cor | Color | Couleur | Color **Forja Y764**

Madeira | Madera | Bois | Wood **Kambala**

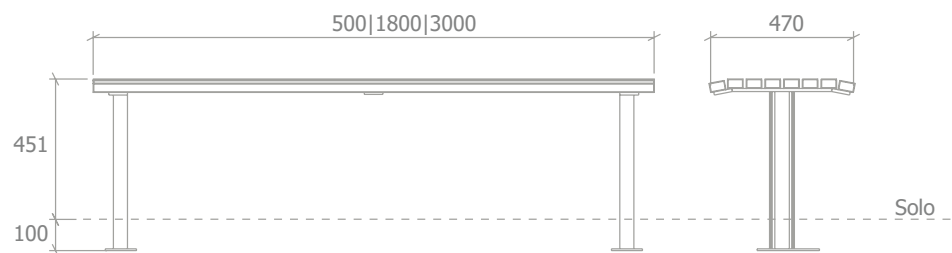
Fixação | Fijación | Fixation | Fixing - **A3**



Ref: 65.1.2.3



Ref: 28.1.2.3



Ref: 28.1.2.1

**BANCO|BANCO|BANC|BENCH WAVE**

Design Microcubo | Ref: 1.1.1.2



Ref: 1.1.2.2



Design Microcubo | Ref: 1.1.2.1



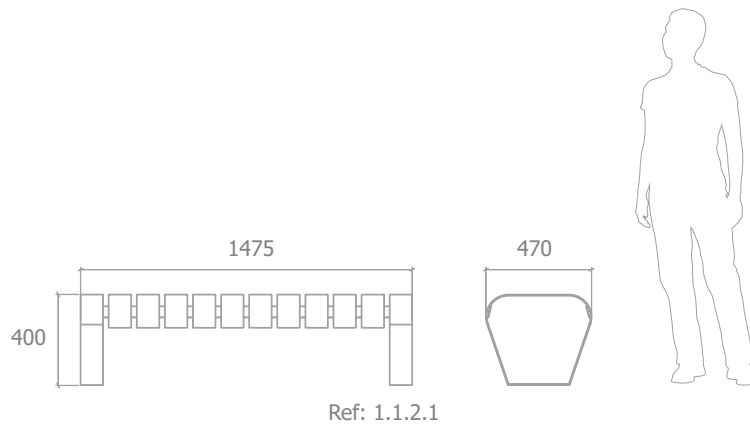
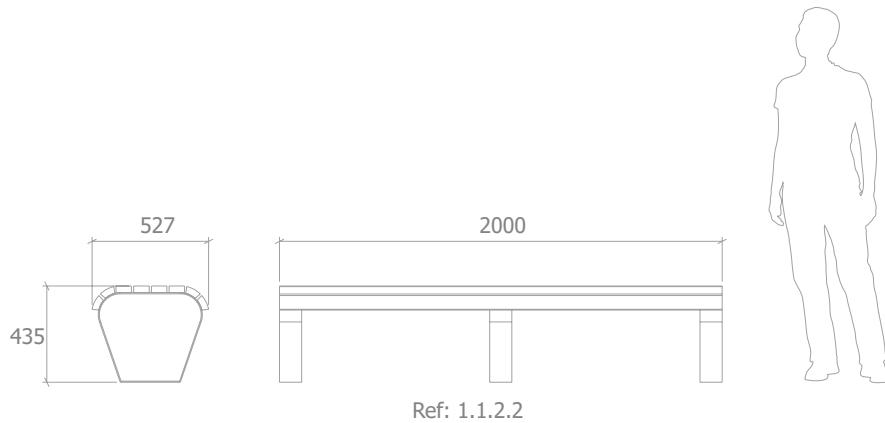
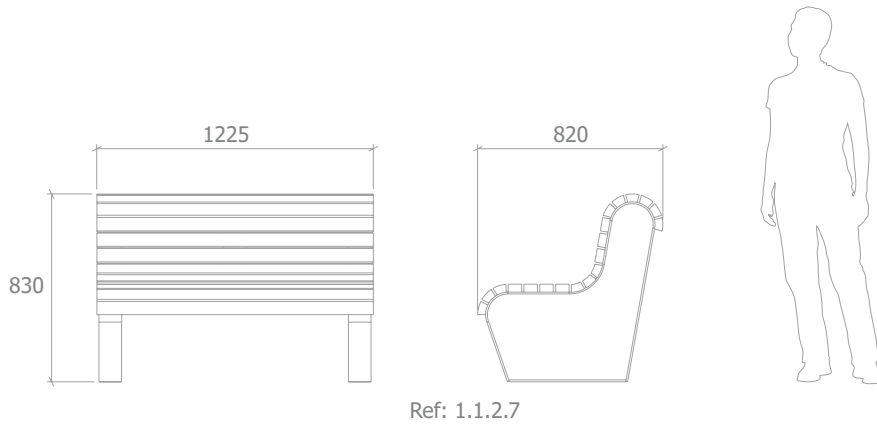
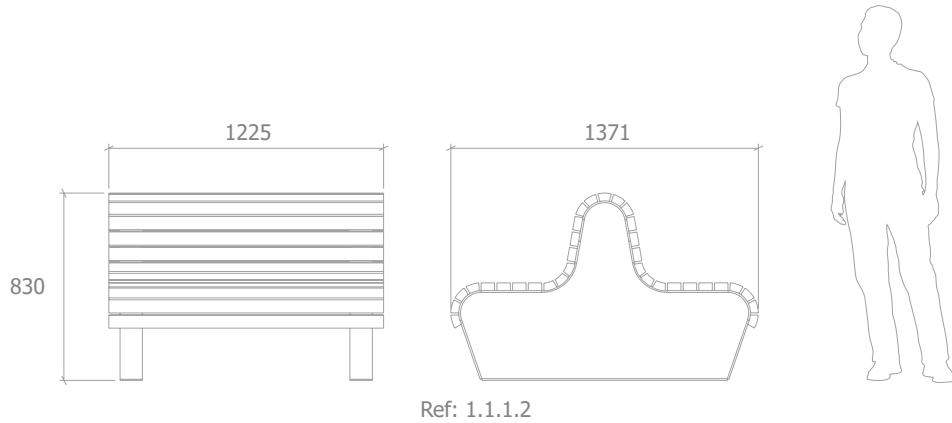
# BANCO|BANCO|BANC|BENCH WAVE

Ferro | Hierro | Acier | Steel (S235JR)

Galvanização | Galvanización | Galvanisation | Galvanization

Cor | Color | Couleur | Color Forja Y764

Fixação | Fijación | Fixation | Fixing - A4



**BANCO|BANCO|BANC|BENCH ADAPT**

Design Microcubo | Ref: 8.1.2.3



Ref: 8.11.1.1



**BANCO|BANCO|BANC|BENCH RIO**

Design Microcubo | Ref: 9.1.2.1



Ref: 9.1.2.6

## BANCO|BANCO|BANC|BENCH ADAPT

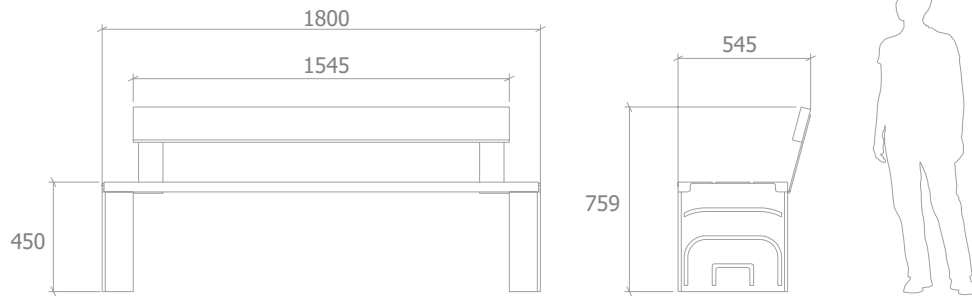
Ferro | Hierro | Acier | Steel (S235JR)

Metalização | Metalización | Métallisation | Metallization SA2 1.5

Cor | Color | Couleur | Color Forja Y764

Madeira | Madera | Bois | Wood Kambala

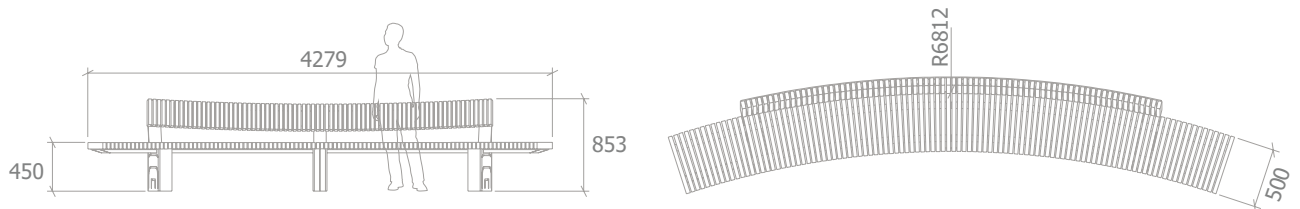
Fixação | Fijación | Fixation | Fixing - A7



Ref: 8.1.2.3

Vista Frontal

Vista de Planta



Ref: 8.11.1.1

## BANCO|BANCO|BANC|BENCH RIO

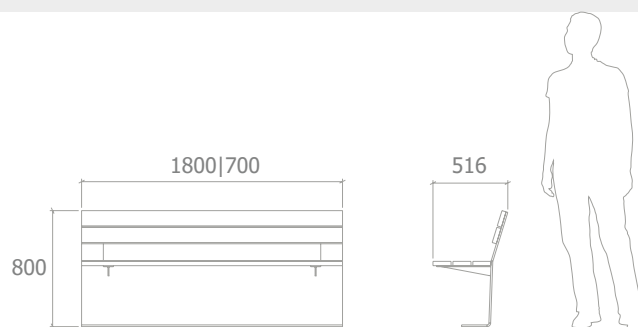
Ferro | Hierro | Acier | Steel (S235JR)

Metalização | Metalización | Métallisation | Metallization SA2 1.5

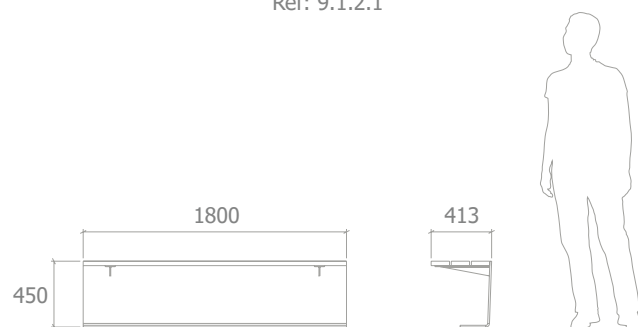
Cor | Color | Couleur | Color Forja Y764

Madeira | Madera | Bois | Wood Kambala

Fixação | Fijación | Fixation | Fixing - A4



Ref: 9.1.2.1



Ref: 9.1.2.6

**BANCO|BANCO|BANC|BENCH 17C**

Ref: 38.1.2.1



**BANCO|BANCO|BANC|BENCH MODELO I**

Ref: 39.1.2.1



**BANCO|BANCO|BANC|BENCH RETRO**

Ref: 55.1.2.1



**BANCO|BANCO|BANC|BENCH VINTAGE**

Ref: 56.1.2.1



## BANCO|BANCO|BANC|BENCH 17C/MOD.1/RETRO/VINTAGE

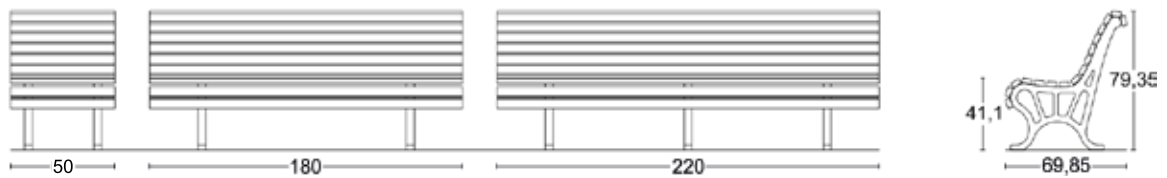
Ferro fundido | Hierro fundido| Fonte | Cast Iron (**S235JR**)

Metaliação | Metalización | Métallisation | Metallization **SA2 1.5**

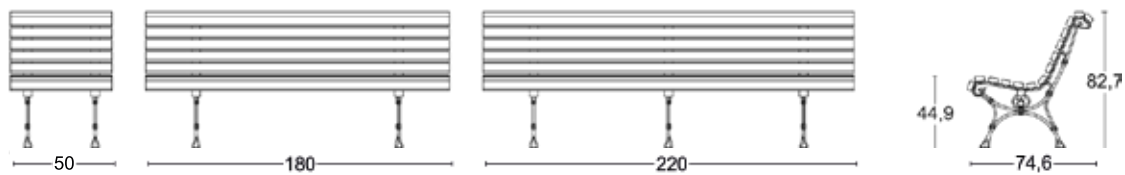
Cor | Color | Couleur | Color **Forja Y764**

Madeira | Madera | Bois | Wood **Kambala**

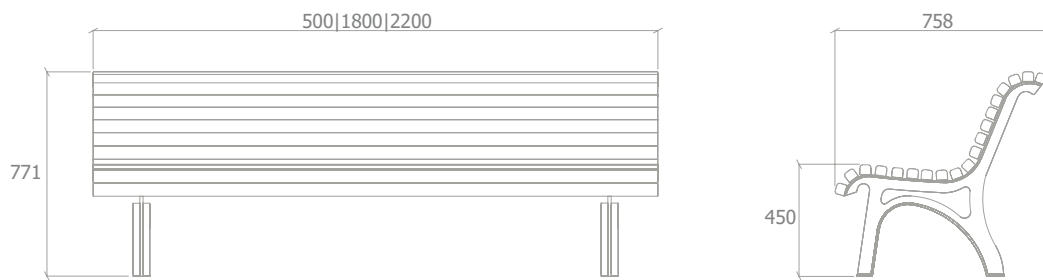
Fixação | Fijación | Fixation | Fixing - **A3**



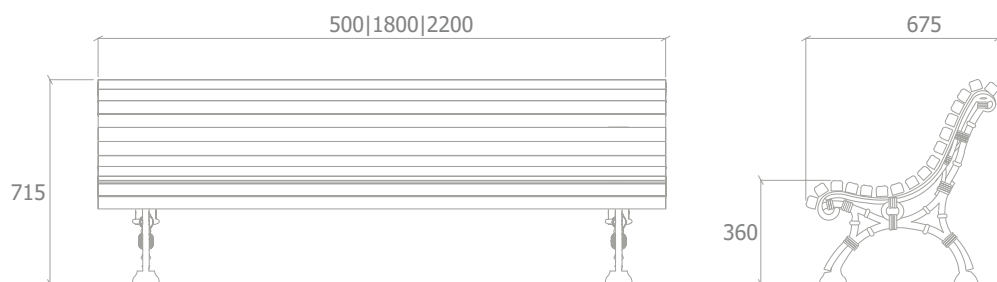
Ref: 38.1.2.1



Ref: 39.1.2.1



Ref: 55.1.2.1



Ref: 56.1.2.1



**MW - BANCO**|BANCO|BANC|BENCH

Design de autor: Marta Sofia | Ref: 34.1.3.1



Design de autor: Marta Sofia | Ref: 34.1.2.3



Design de autor: Marta Sofia | Ref: 34.1.3.4



Design de autor: Marta Sofia | Ref: 34.1.2.1



## MW - BANCO|BANCO|BANC|BENCH

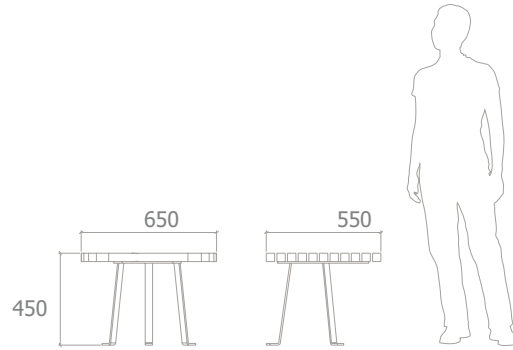
Ferro | Hierro | Acier | Steel (S235JR)

Metalação | Metalización | Métallisation | Metallization SA2 1.5

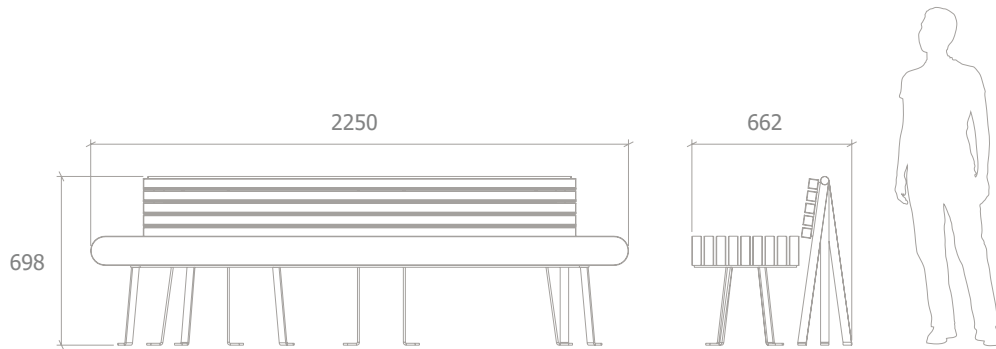
Cor | Color | Couleur | Color RAL 9010

Madeira | Madera | Bois | Wood Kambala

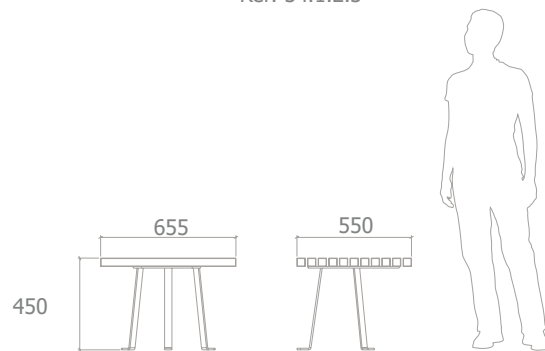
Fixação | Fijación | Fixation | Fixing - A4 (Outras fixações sob consulta | Otras fijaciones bajo pedido | Autres fixations sur demande | Other attachments on request )



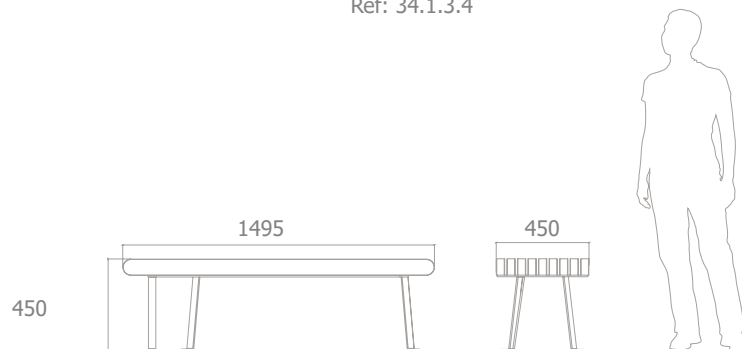
Design de autor: Marta Sofia  
Ref: 34.1.3.1



Design de autor: Marta Sofia  
Ref: 34.1.2.3



Design de autor: Marta Sofia  
Ref: 34.1.3.4



Design de autor: Marta Sofia  
Ref: 34.1.2.1

## MW - BANCO|BANCO|BANC|BENCH

Design de autor: Marta Sofia | Ref: 34.1.8.1



Design de autor: Marta Sofia | Ref: 34.1.10.1



## BANCO|BANCO|BANC|BENCHB IRON OASIS

Design de autor: Marta Sofia | Ref: 51.1.2.3



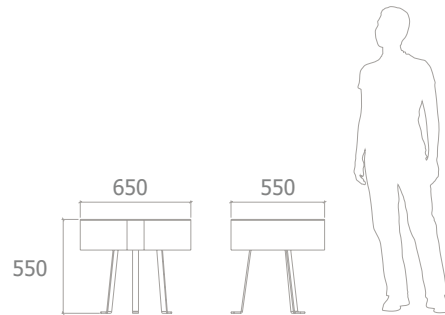
## BANCO|BANCO|BANC|BENCH MW

Ferro | Hierro | Acier | Steel (**S235JR**)

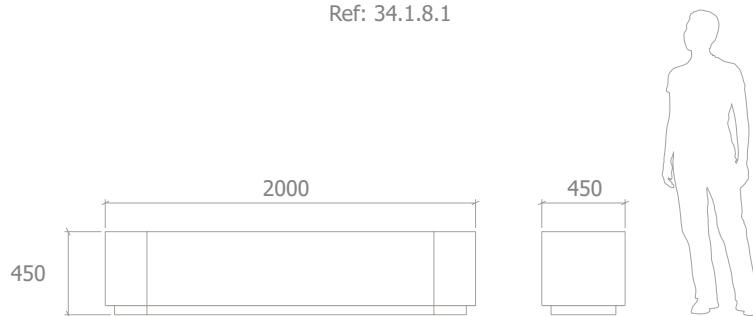
Metalação | Metalización | Métallisation | Metallization **SA2 1.5**

Cor | Color | Couleur | Color **RAL 9010**

Fixação | Fijación | Fixation | Fixing - **A4** (Outras fixações sob consulta | Otras fijaciones bajo pedido | Autres fixations sur demande | Other attachments on request )



Design de autor: Marta Sofia  
Ref: 34.1.8.1



Design de autor: Marta Sofia  
Ref: 34.1.10.1

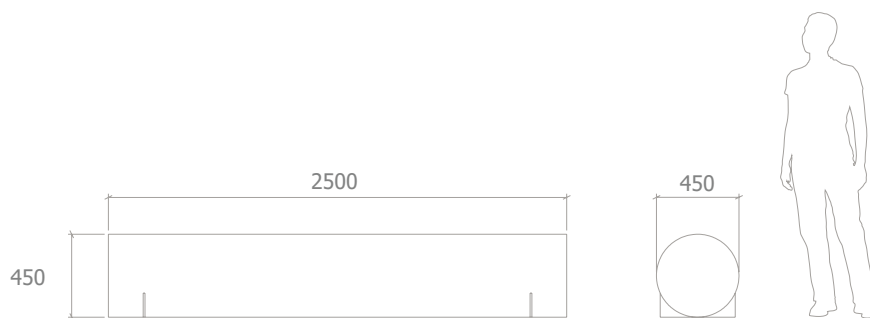
## BANCO|BANCO|BANC|BENCH IRON OASIS

Ferro | Hierro | Acier | Steel (**S235JR**)

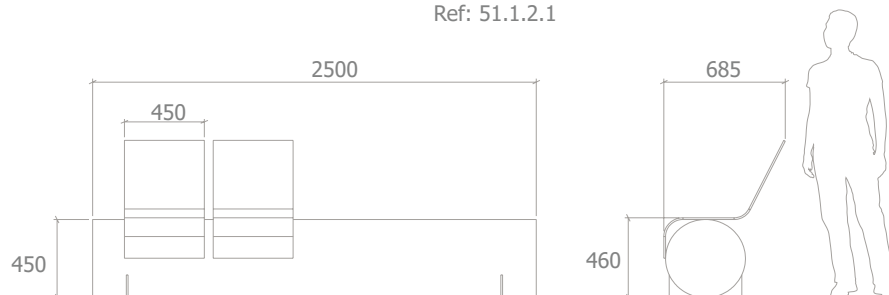
Metalação | Metalización | Métallisation | Metallization **SA2 1.5**

Cor | Color | Couleur | Color **RAL 9010**

Fixação | Fijación | Fixation | Fixing - **A4** (Outras fixações sob consulta | Otras fijaciones bajo pedido | Autres fixations sur demande | Other attachments on request )



Design de autor: Marta Sofia  
Ref: 51.1.2.1



Design de autor: Marta Sofia  
Ref: 51.1.2.3

**BANCO|BANCO|BANC|BENCH CONCRETO**

Design Microcubo | Ref: 4.1.2.1 + 4.1.5.1



**BANCO|BANCO|BANC|BENCH SURF**

Design Microcubo | Ref: 7.1.2.1

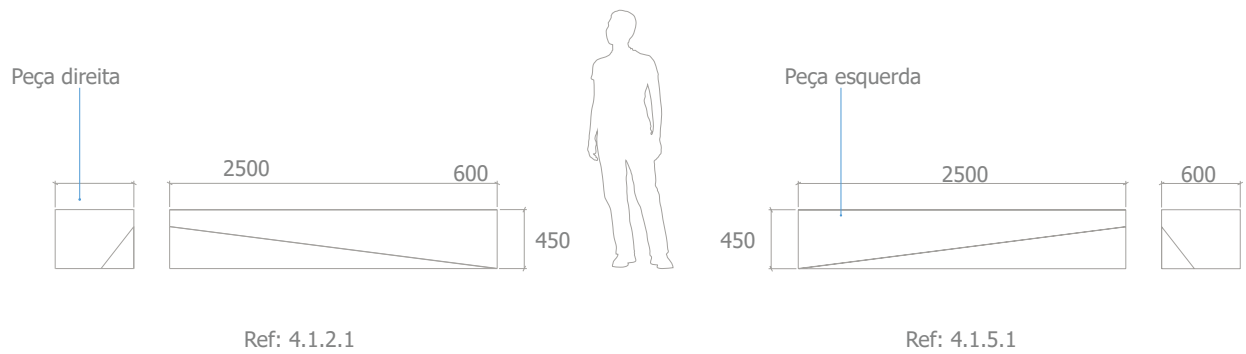


## BANCO|BANCO|BANÇ|BENCH CONCRETO

Betão | Hormigón | Béton | Concrete **c30/37** (Cor natural/branco | color natural/blanco | couleur naturelle/blanche | Natural/white colored)

Ferro | Hierro | Acier | Steel **A400**

Fixação | Fijación | Fixation | Fixing - **A1**



## BANCO|BANCO|BANÇ|BENCH SURF

Betão | Hormigón | Béton | Concrete **c30/37** (Cor natural/branco | color natural/blanco | couleur naturelle/blanche | Natural/white colored)

Ferro | Hierro | Acier | Steel **A400**

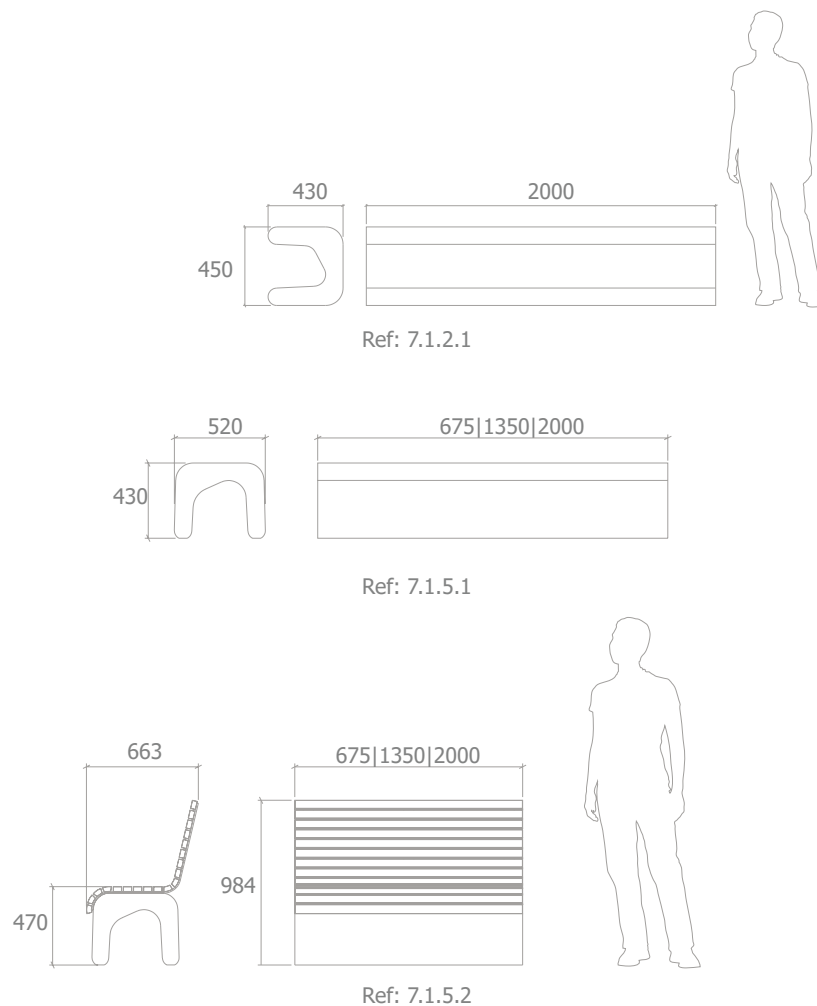
Ferro | Hierro | Acier | Steel **(S235JR)**

Metalização | Metalización | Métallisation | Metallization **SA2 1.5**

Cor | Color | Couleur | Color **Forja Y764**

Madeira | Madera | Bois | Wood **Kambala**

Fixação | Fijación | Fixation | Fixing - **A1**



**BANCO|BANCO|BANC|BENCH SURF LONG**

Design Microcubo | Design de autor: Arq. Amélia Santos



Design Microcubo | Arq. Amélia Santos | Ref: 7.1.5.1 + 7.1.5.2



# BANCO|BANCO|BANC|BENCH SURF LONG

Betão | Hormigón| Béton | Concrete **c30/37** (Cor natural/branco | color natural/blanco | couleur naturelle/blanche | Natural/white colored)

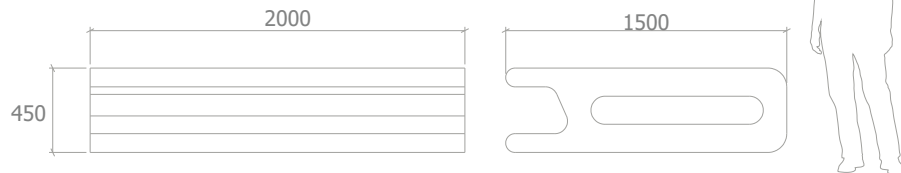
Ferro | Hierro | Acier | Steel **(S235JR)**

Metalização | Metalización | Métallisation | Metallization **SA2 1.5**

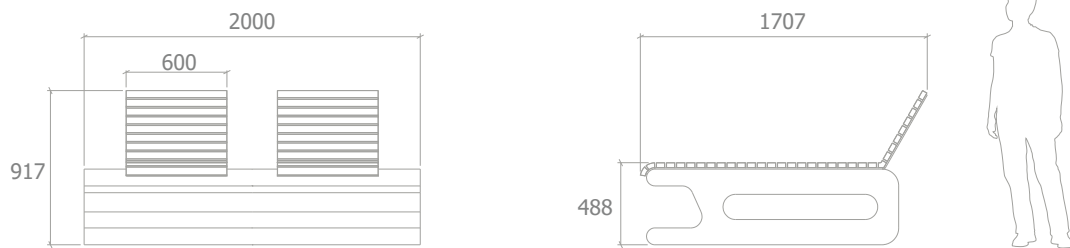
Cor | Color | Couleur | Color **Forja Y764**

Madeira | Madera | Bois | Wood **Kambala**

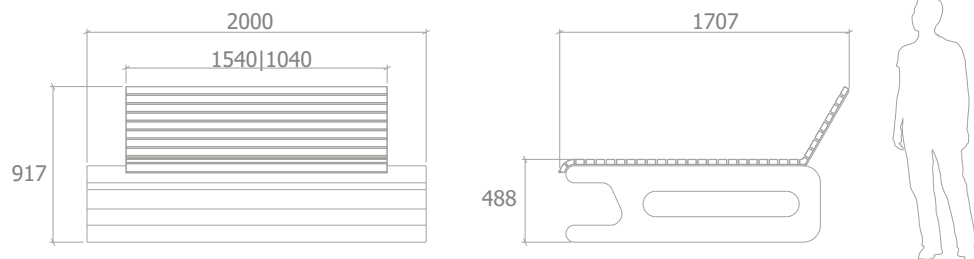
Fixação | Fijación | Fixation | Fixing - **A1**



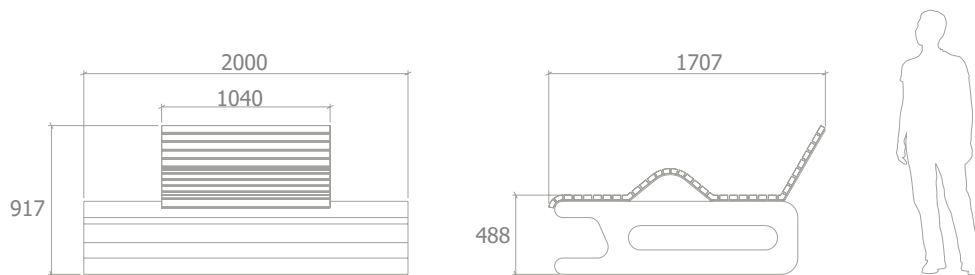
Ref: 7.1.12.1



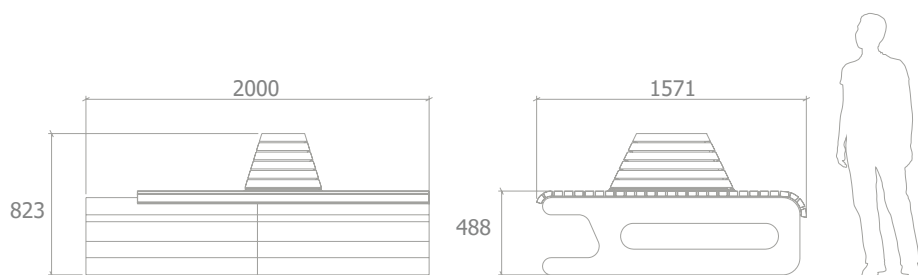
Ref: 7.1.12.2



Ref: 7.1.12.3 | 7.1.12.4



Ref: 7.1.12.5



Ref: 7.1.12.6



**BANCO|BANCO|BANC|BENCH PARQUE**

Design Microcubo | Ref: 3.1.2.1



Ref: 3.1.6.2 + Ref: 3.1.6.1



**BANCO|BANCO|BANC|BENCH BLOCO PARQUE**

Design Microcubo | Ref: 3.1.6.1



Ref: 3.1.6.5



# BANCO | BANCO | BANC | BENCH BLOCO PARQUE

Betão | Hormigón | Béton | Concrete **c30/37** (Cor natural/branco | color natural/blanco | couleur naturelle/blanche | Natural/white colored)

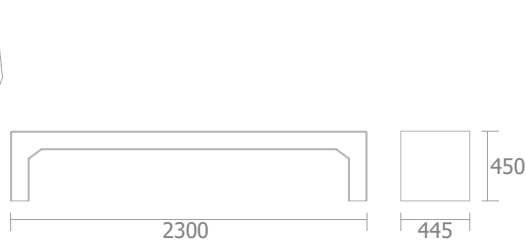
Ferro | Hierro | Acier | Steel **S235JR**

Metalização | Metalización | Métallisation | Metallization **SA2 1.5**

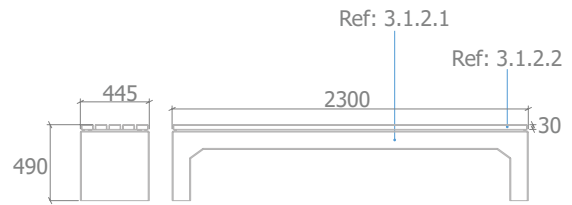
Cor | Color | Couleur | Color **Forja Y764**

Madeira | Madera | Bois | Wood **Kambala**

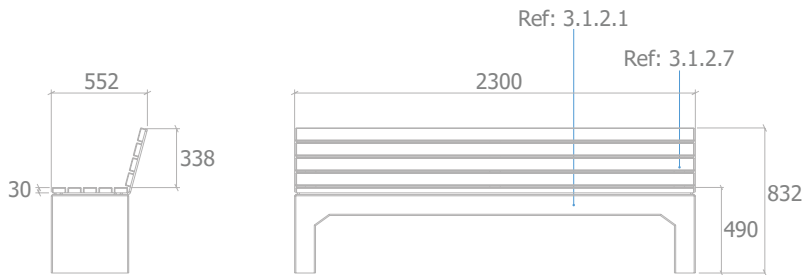
Fixação | Fijación | Fixation | Fixing - **A1**



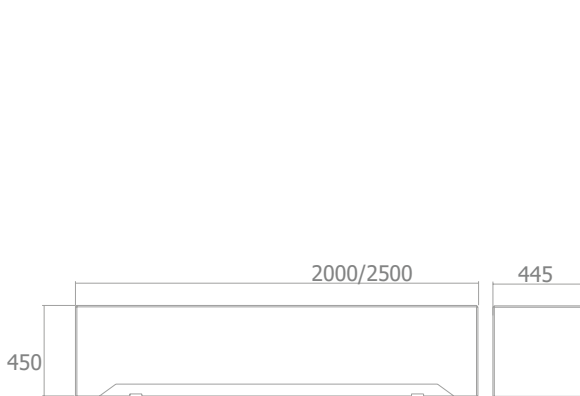
Ref: 3.1.2.1



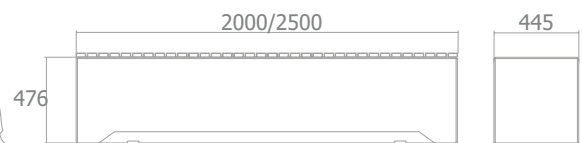
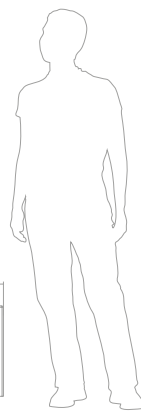
Ref: 3.1.2.1 + Ref: 3.1.2.2



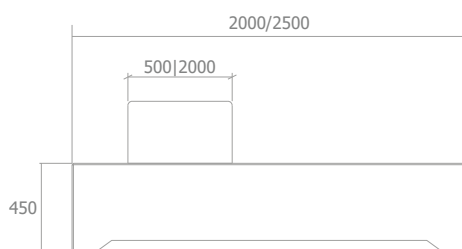
Ref: 3.1.2.1 + Ref: 3.1.2.7



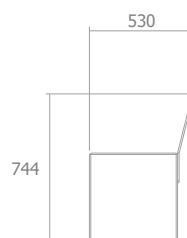
Ref: 3.1.6.1



Ref: 3.1.6.2 + Ref: 3.1.6.1



Ref: 3.1.6.5



**BANCO|BANCO|BANC|BENCH BLOCO PARQUE CURVO - R1600**

Design Microcubo | Ref: 3.1.7.1



**BANCO|BANCO|BANC|BENCH BLOCO PARQUE CURVO - R3500**

Design Microcubo | Ref: 3.1.7.1



**MÓDULOS|MÓDULOS|MODULES|MODULES BETAUM**

Design Microcubo



## BANCO|BANCO|BANÇ|BENCH BLOCO PARQUE CURVO - R1600 E R3500

Betão | Hormigón | Béton | Concrete **c30/37** (Cor natural/branco | color natural/blanco | couleur naturelle/blanche | Natural/white colored)

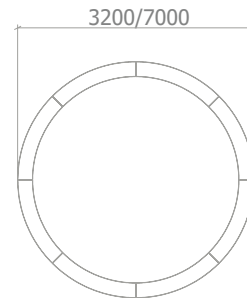
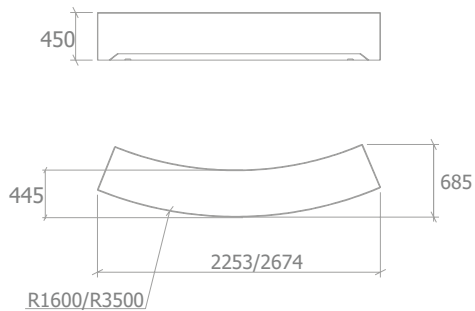
Ferro | Hierro | Acier | Steel **S235JR**

Metalização | Metalización | Métallisation | Metallization **SA2 1.5**

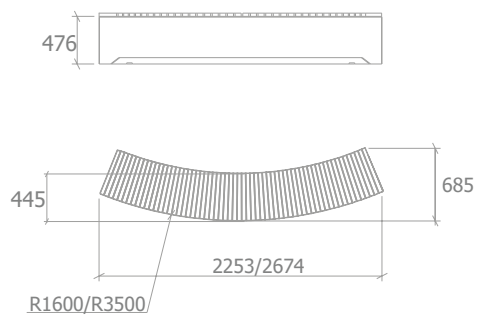
Cor | Color | Couleur | Color **Forja Y764**

Madeira | Madera | Bois | Wood **Kambala**

Fixação | Fijación | Fixation | Fixing - **A1**



Ref: 3.1.6.1 + Ref: 3.1.7.1



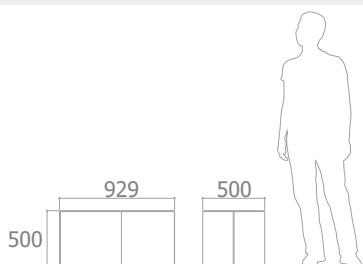
Ref: 3.1.7.1 + 3.1.7.2

## MÓDULOS|MÓDULOS|MODULES|MODULES BETAUM

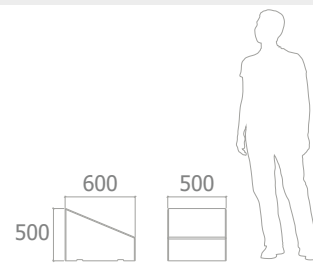
Betão | Hormigón | Béton | Concrete **c30/37** (Cor natural/branco | color natural/blanco | couleur naturelle/blanche | Natural/white colored)

Ferro | Hierro | Acier | Steel **A400**

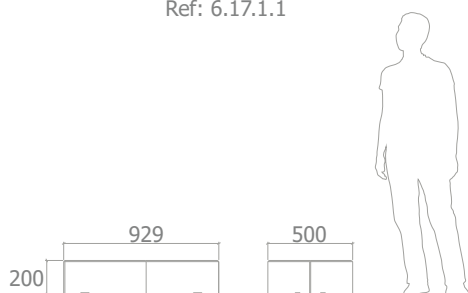
Fixação | Fijación | Fixation | Fixing - **A1**



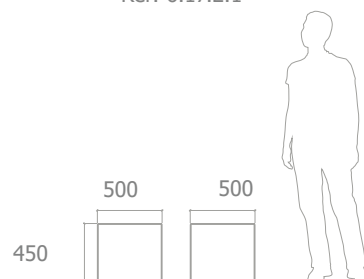
Ref: 6.17.1.1



Ref: 6.17.2.1



Ref: 6.17.3.1



Ref: 6.17.4.1

**CONJUNTO** | CONJUNTO | KIT | SET PARQUE

Design Microcubo | Ref: 3.3.3.1 + 3.1.2.1



Ref: 3.3.4.1

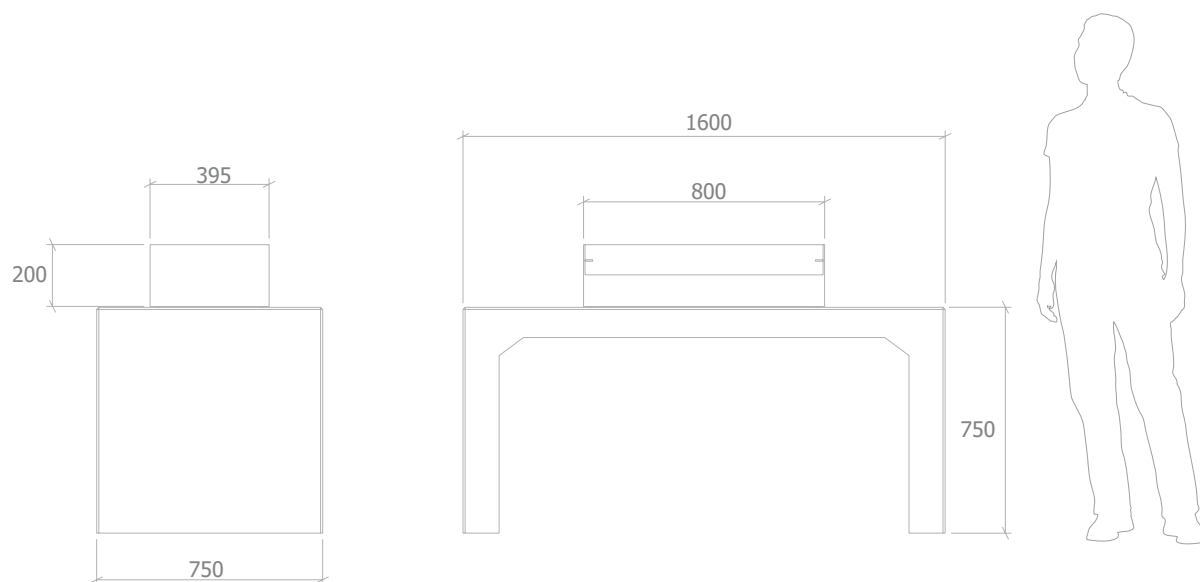
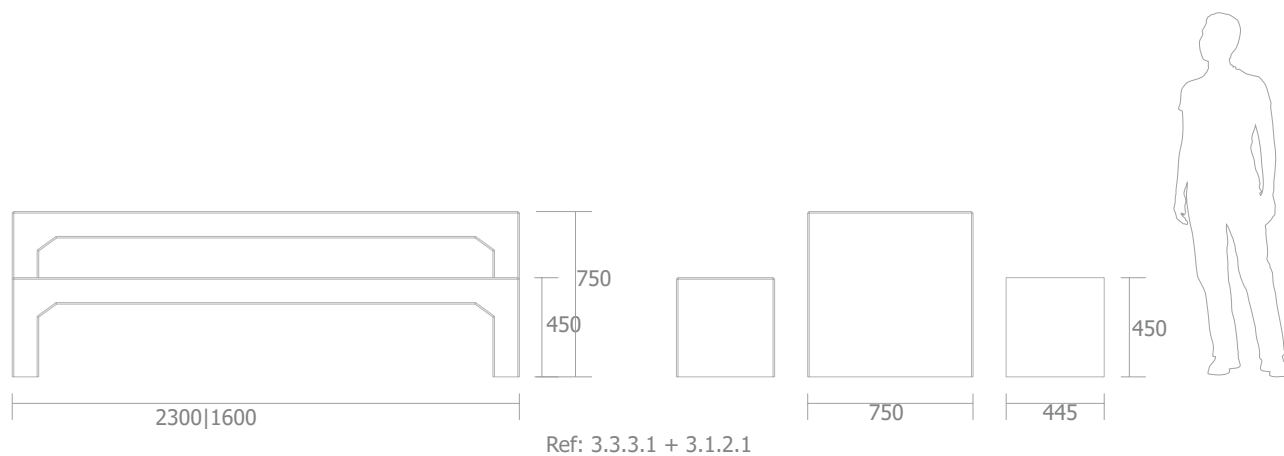


## CONJUNTO|CONJUNTO|KIT|SET PARQUE

Betão | Hormigón| Béton | Concrete **c30/37** (Cor natural/branco | color natural/blanco | couleur naturelle/blanche | Natural/white colored)

Aço corten | Acero corten | Acier Corten | Corten steel

Fixação | Fijación | Fixation | Fixing - **A1**



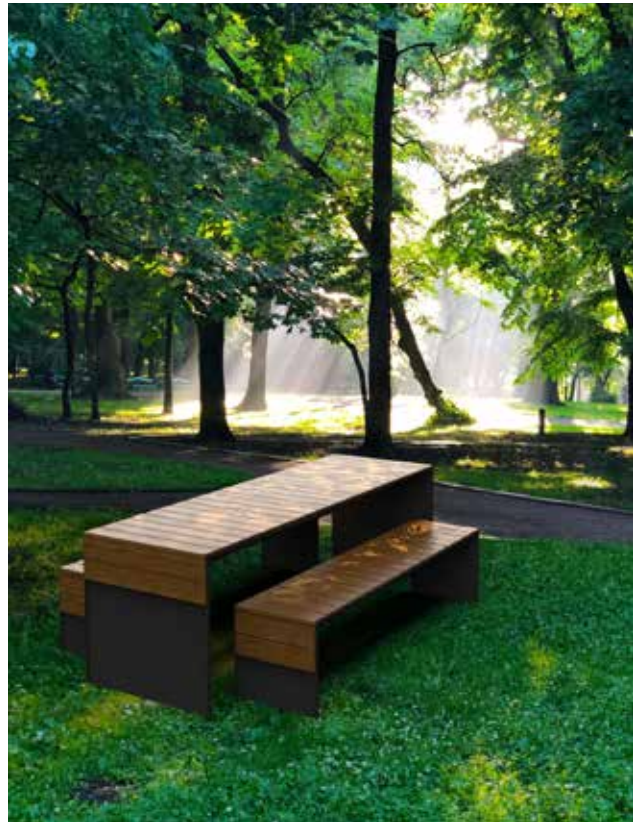
**CONJUNTO|CONJUNTO|KIT|SET URBAN IRON**

Design de autor: Arq. Joana Saraiva | Ref: 59.3.2.1 + 59.23.1.1



**CONJUNTO|CONJUNTO|KIT|SET PAINEL**

Design Microcubo | Ref: 23.3.1.1 + 23.1.2.1



**CONJUNTO|CONJUNTO|KIT|SET SQUARE**

Design Microcubo | Ref: 2.3.1.1 + 2.1.2.1



**CONJUNTO|CONJUNTO|KIT|SET WAVE**

Design Microcubo | Ref: 1.3.1.1 + 1.1.2.2



## CONJUNTO|CONJUNTO|KIT|SET URBAN IRON

Ferro | Hierro | Acier | Steel (**S235JR**)

Metalação | Metalización | Métallisation | Metallization **SA2 1.5**

Cor | Color | Couleur | Color **Forja Y764**

Fixação | Fijación | Fixation | Fixing - **A3** (Outras fixações sob consulta | Otras fijaciones bajo pedido | Autres fixations sur demande | Other attachments on request )



## CONJUNTO|CONJUNTO|KIT|SET PAINEL/SQUARE

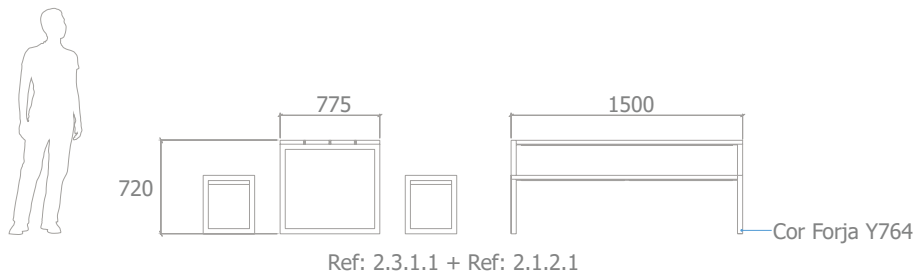
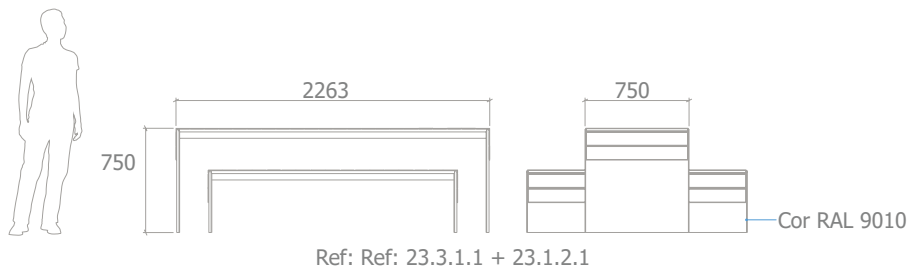
Ferro | Hierro | Acier | Steel (**S235JR**)

Metalação | Metalización | Métallisation | Metallization **SA2 1.5**

Cor | Color | Couleur | Color **RAL 9010/Forja Y764**

Madeira | Madera | Bois | Wood **Kambala**

Fixação | Fijación | Fixation | Fixing - **A4** (Outras fixações sob consulta | Otras fijaciones bajo pedido | Autres fixations sur demande | Other attachments on request )



## CONJUNTO|CONJUNTO|KIT|SET WAVE

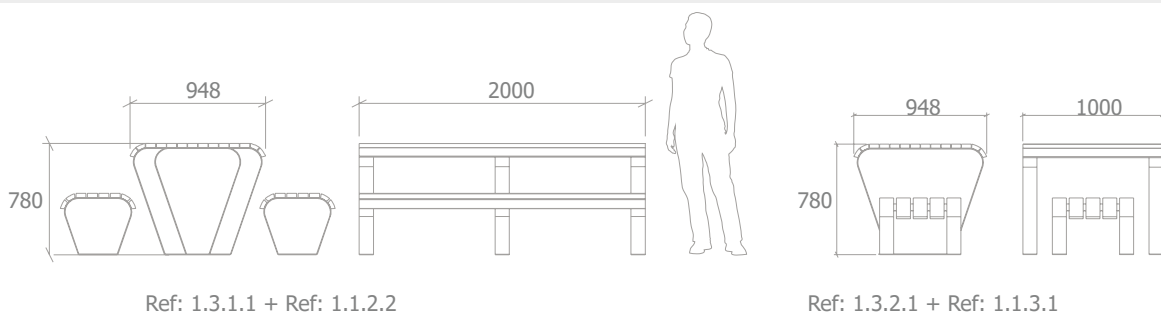
Ferro | Hierro | Acier | Steel (**S235JR**)

Galvanização | Galvanización | Galvanisation | Galvanization

Cor | Color | Couleur | Color **Forja Y764**

Madeira | Madera | Bois | Wood **Kambala**

Fixação | Fijación | Fixation | Fixing - **A4**





**CONJUNTO|CONJUNTO|KIT|SET ADAPT**

Design Microcubo | Ref: 8.3.2.1+8.1.3.1



**CONJUNTO|CONJUNTO|KIT|SET SIMPLA**

Design Microcubo | Ref: 28.3.2.1+28.1.3.3



**CONJUNTO|CONJUNTO|KIT|SET RIO**

Design Microcubo | Ref: 9.3.1.1+9.1.2.6



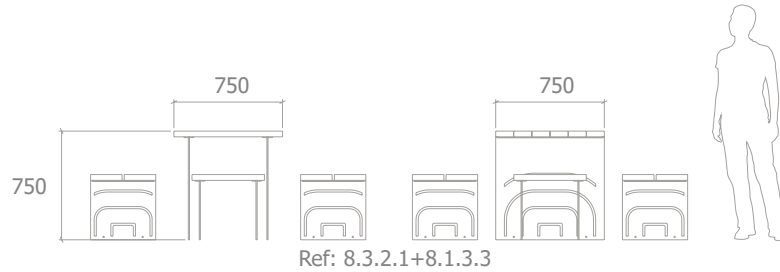
**CONJUNTO|CONJUNTO|KIT|SET ROBUS**

Design Microcubo | Ref: 22.3.2.1 + 22.1.3.1



## CONJUNTOS | CONJUNTO | KIT | SET ADAPT

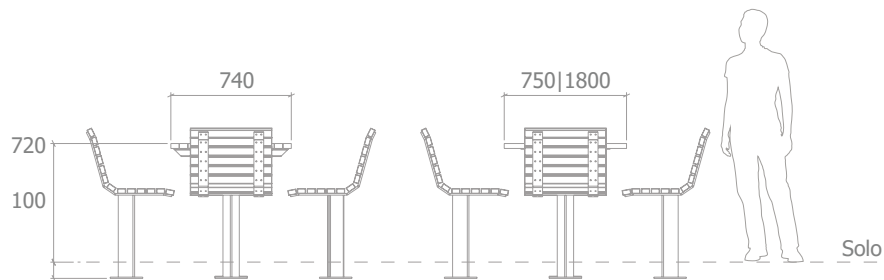
Ferro | Hierro | Acier | Steel **(S235JR)**  
Metalização | Metalización | Métallisation | Metallization **SA2 1.5**  
Cor | Color | Couleur | Color **Forja Y764**  
Madeira | Madera | Bois | Wood **Kambala**  
Fixação | Fijación | Fixation | Fixing - **A7**



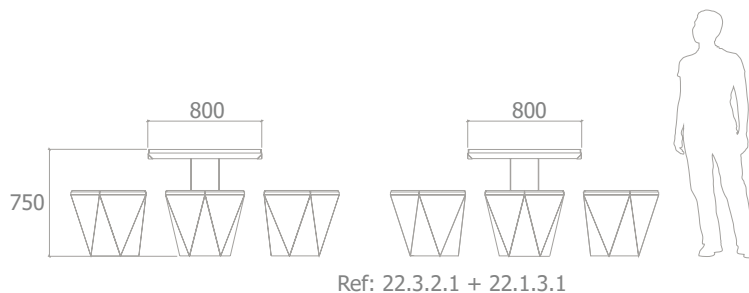
Ref: 8.3.2.1+8.1.3.3

## CONJUNTOS | CONJUNTO | KIT | SET SIMPLA/ROBUS

Ferro | Hierro | Acier | Steel **(S235JR)**  
Metalização | Metalización | Métallisation | Metallization **SA2 1.5**  
Cor | Color | Couleur | Color **Forja Y764**  
Madeira | Madera | Bois | Wood **Kambala**  
Fixação | Fijación | Fixation | Fixing - **A3**



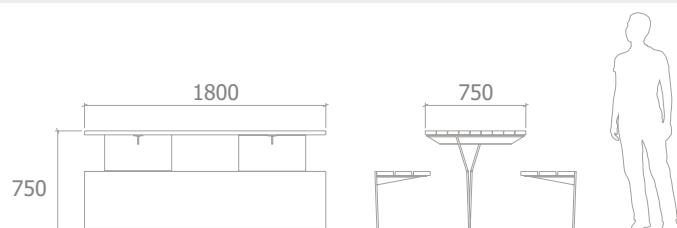
Ref: 28.3.2.1+28.1.3.3



Ref: 22.3.2.1 + 22.1.3.1

## CONJUNTOS | CONJUNTO | KIT | SET DE PIC-NIC RIO

Ferro | Hierro | Acier | Steel **(S235JR)**  
Metalização | Metalización | Métallisation | Metallization **SA2 1.5**  
Cor | Color | Couleur | Color **Forja Y764**  
Madeira | Madera | Bois | Wood **Kambala**  
Fixação | Fijación | Fixation | Fixing - **A4**



Ref: 9.3.1.1+9.1.2.6

**PAPELEIRA|PAPELERA|CORBEILLE À PAPIER|PAPERBIN P1 - PLÁSTICO ROTOMOLDADO**

Design Microcubo | Ref: 62.2.2.8



Design Microcubo | Ref: 62.2.1.9



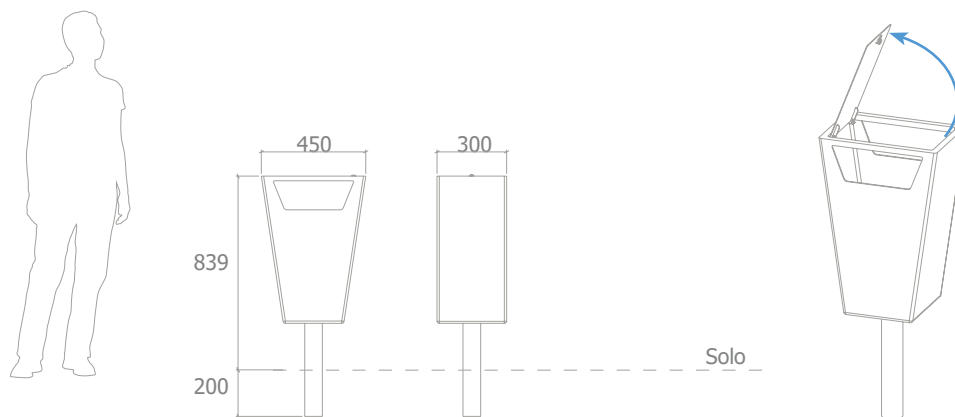
## PAPELEIRA | PAPELERA | CORBEILLE À PAPIER | PAPERBIN P1- PLÁSTICO ROTOMOLDADO

Plástico Rotomoldado reciclado | Plástico rotomoldeado reciclado | Plastique recyclé rotomoulé | Recycled rotomolded plastic

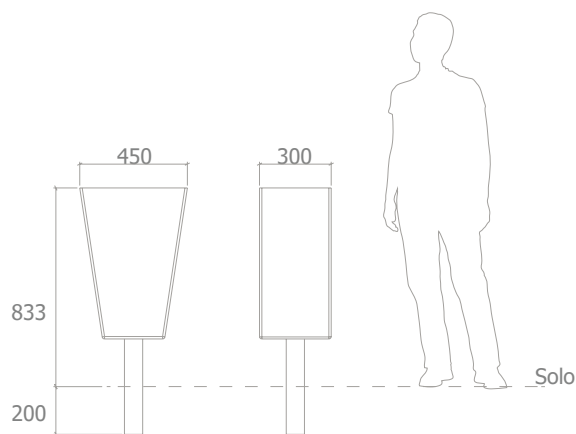
Balde em plástico reciclado | Cubo de plástico reciclado | Seau en plastique recyclé | Recycled plastic bucket

55L Capacidade (aprox.) | Capacidad (aprox.) | Capacité (environ) | Capacity (approx.)

Fixação | Fijación | Fixation | Fixing - **A5**



Ref: 62.2.2.8



Ref: 62.2.1.9

**PAPELEIRA | PAPELERA | CORBEILLE À PAPIER | PAPERBIN PENTAGONAL - FERRO FUNDIDO**

Design Microcubo | Ref: 46.2.2.1



Design Microcubo | Ref: 46.2.2.9



**PAPELEIRA | PAPELERA | CORBEILLE À PAPIER | PAPERBIN PENTAGONAL - CHAPA**

Design Microcubo | Ref: 46.2.2.1



## PAPELEIRA | PAPELERA | CORBEILLE À PAPIER | PAPERBIN PENTAGONAL - FERRO FUNDIDO

Ferro fundido | Hierro fundido | Fonte | Cast Iron (**S235JR**)

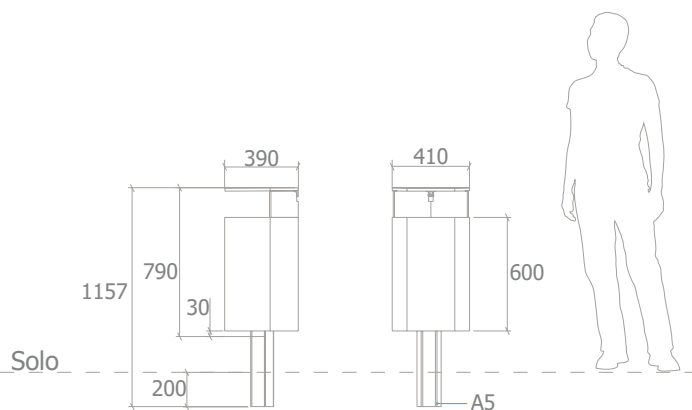
Metalação | Metalización | Métallisation | Metallization **SA2 1.5**

Cor | Color | Couleur | Color **Forja Y764**

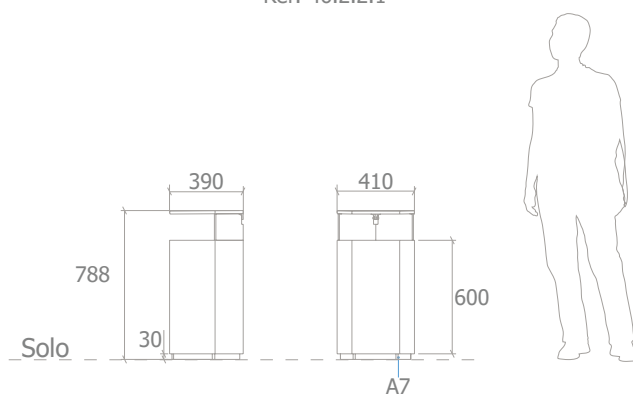
Balde plástico reciclado | Cubo de plástico reciclado | Seau en plastique recyclé | Recycled plastic bucket

40L Capacidade (aprox.) | Capacidad (aprox.) | Capacité (environ) | Capacity (approx.)

Fixação | Fijación | Fixation | Fixing - **A5/A7**



Ref: 46.2.2.1



Ref: 46.2.2.9

## PAPELEIRA | PAPELERA | CORBEILLE À PAPIER | PAPERBIN PENTAGONAL - CHAPA

Ferro | Hierro | Acier | Steel (**S235JR**) / Tampa em ferro fundido | Tapa de hierro fundido | Couvercle en fonte | Cast iron lid

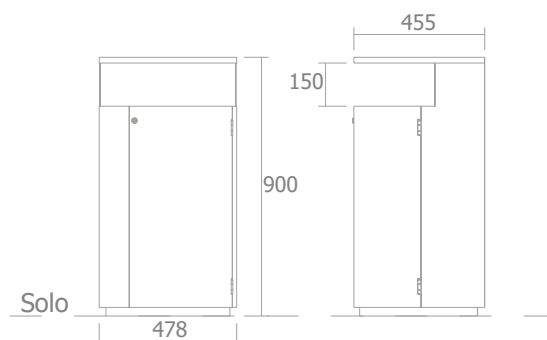
Metalação | Metalización | Métallisation | Metallization **SA2 1.5**

Cor | Color | Couleur | Color **Forja Y764**

Balde plástico reciclado | Cubo de plástico reciclado | Seau en plastique recyclé | Recycled plastic bucket

80L Capacidade (aprox.) | Capacidad (aprox.) | Capacité (environ) | Capacity (approx.)

Fixação | Fijación | Fixation | Fixing - **A5**



Ref: 46.2.2.1

**PAPELEIRA|PAPELERA|CORBEILLE À PAPIER|PAPERBIN N2**

Design Microcubo | Ref: 77.2.2.1



**PAPELEIRA|PAPELERA|CORBEILLE À PAPIER|PAPERBIN FLOR**

Design Microcubo | Ref: 66.2.1.1



**MW9 - METÁLICA**

Design de autor: Marta Sofia | Ref: 34.2.1.1



**100S**

Design de autor: Baldios Arquitectos Paisagistas | Ref: 78.2.2.1



## PAPELEIRA|PAPELERA|CORBEILLE À PAPIER|PAPERBIN N2

Ferro | Hierro | Acier | Steel (**S235JR**)

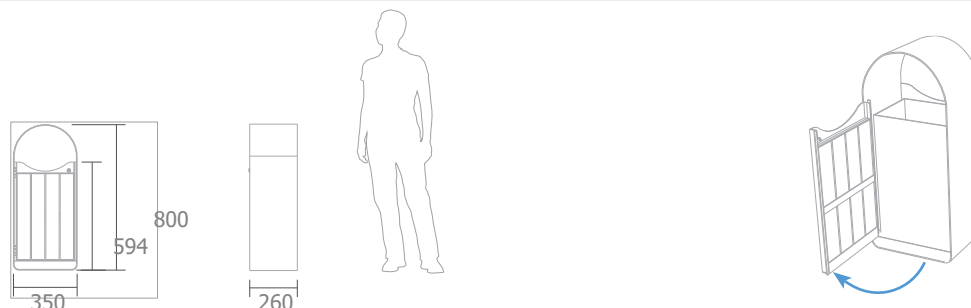
Metalização | Metalización | Métallisation | Metallization **SA2 1.5**

Cor | Color | Couleur | Color **Forja Y764**

Madeira | Madera | Bois | Wood **Kambala**

55L Capacidade (aprox.) | Capacidad (aprox.) | Capacité (environ) | Capacity (approx.)

Fixação | Fijación | Fixation | Fixing - **A3**



Ref: 77.2.2.1

## PAPELEIRA|PAPELERA|CORBEILLE À PAPIER|PAPERBIN FLOR/ MW9 - PAPELEIRA METÁLICA

Ferro | Hierro | Acier | Steel (**S235JR**)

Metalização | Metalización | Métallisation | Metallization **SA2 1.5**

Cor | Color | Couleur | Color **RAL 9010**

Balde plástico reciclado | Cubo de plástico reciclado | Seau en plastique recyclé | Recycled plastic bucket

55L/65L Capacidade (aprox.) | Capacidad (aprox.) | Capacité (environ) | Capacity (approx.)

Fixação | Fijación | Fixation | Fixing - **A4** (Outras fixações sob consulta | Otras fijaciones bajo pedido| Autres fixations sur demande | Other attachments on request)



Ref: 66.2.1.1

Design de autor: Marta Sofia  
Ref: 34.2.1.1

## PAPELEIRA|PAPELERA|CORBEILLE À PAPIER|PAPERBIN 100S

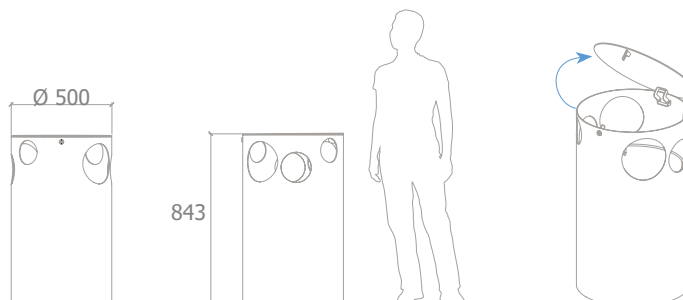
Ferro | Hierro | Acier | Steel (**S235JR**)

Metalização | Metalización | Métallisation | Metallization **SA2 1.5**

Cor | Color | Couleur | Color **Forja Y764**

70L Capacidade (aprox.) | Capacidad (aprox.) | Capacité (environ) | Capacity (approx.)

Fixação | Fijación | Fixation | Fixing - **A2** (Outras fixações sob consulta | Otras fijaciones bajo pedido| Autres fixations sur demande | Other attachments on request)



Design de autor: Baldios Arquitectos Paisagistas  
Ref: 78.2.2.1



**PAPELEIRA | PAPELERA | CORBEILLE À PAPIER | PAPERBIN SIMPLA**

Design Microcubo | Ref: 28.2.1.1



**PAPELEIRA | PAPELERA | CORBEILLE À PAPIER | PAPERBIN INTER**

Design Microcubo | Ref: 69.2.1.1



**PAPELEIRA | PAPELERA | CORBEILLE À PAPIER | PAPERBIN MOD**

Design Microcubo | Ref: 57.2.2.4



**PAPELEIRA | PAPELERA | CORBEILLE À PAPIER | PAPERBIN MOD**

Design Microcubo | Ref: 57.2.7.1



## PAPELEIRA|PAPELERA|CORBEILLE À PAPIER|PAPERBIN SIMPLA/INTER

Ferro | Hierro | Acier | Steel **(S235JR)**

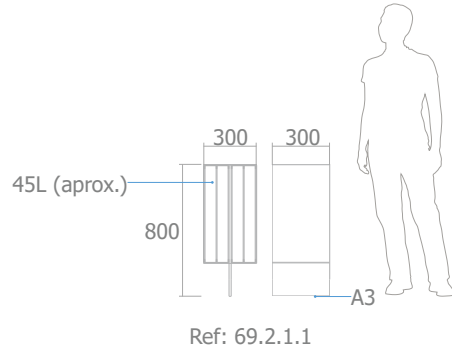
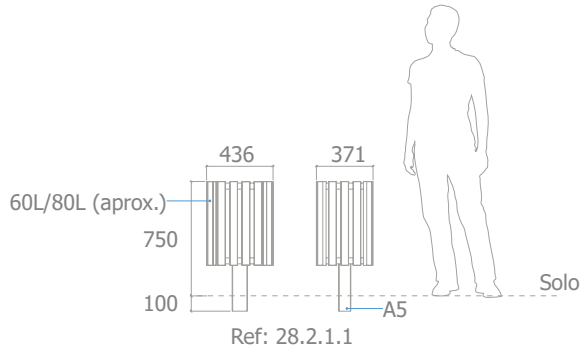
Metalação | Metalización | Métallisation | Metallization **SA2 1.5**

Cor | Color | Couleur | Color **Forja Y764**

Madeira | Madera | Bois | Wood **Kambala**

45/60L/80L Capacidade (aprox.) | Capacidad (aprox.) | Capacité (environ) | Capacity (approx.)

Fixação | Fijación | Fixation | Fixing - **A3/A5** (Outras fixações sob consulta | Otras fijaciones bajo pedido) | Autres fixations sur demande | Other attachments on request)



## PAPELEIRA|PAPELERA|CORBEILLE À PAPIER|PAPERBIN MOD

Ferro | Hierro | Acier | Steel **(S235JR)**

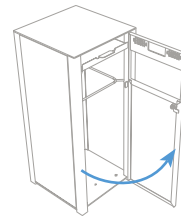
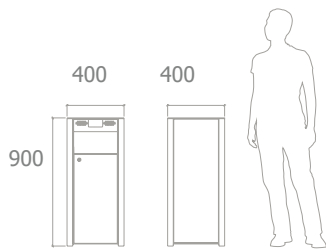
Metalação | Metalización | Métallisation | Metallization **SA2 1.5**

Cor | Color | Couleur | Color **Forja Y764**

Compacto Fenólico | Compacto Fenólico | Compact Phénolique | Phenolic Compact

70L Capacidade (aprox.) | Capacidad (aprox.) | Capacité (environ) | Capacity (approx.)

Fixação | Fijación | Fixation | Fixing - **A4**



## PAPELEIRA|PAPELERA|CORBEILLE À PAPIER|PAPERBIN MOD

Ferro | Hierro | Acier | Steel **(S235JR)**

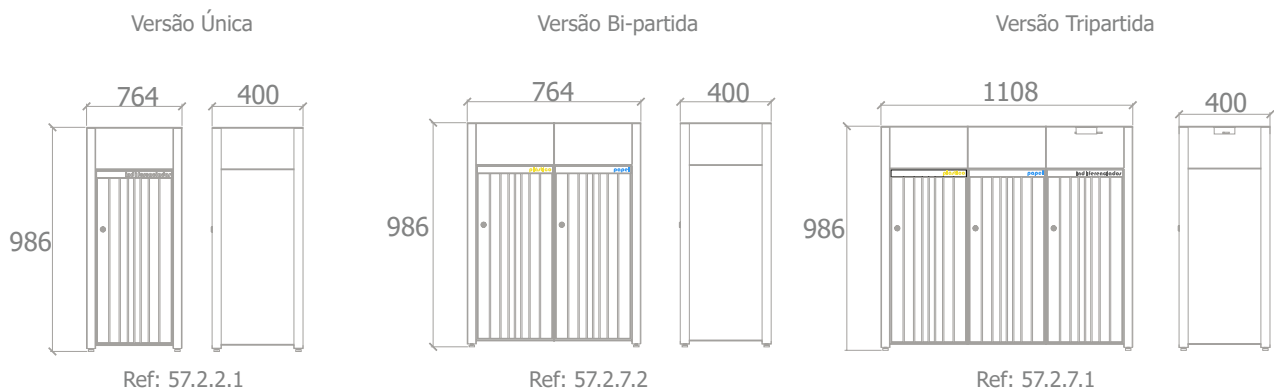
Metalação | Metalización | Métallisation | Metallization **SA2 1.5**

Cor | Color | Couleur | Color **Forja Y764**

Madeira | Madera | Bois | Wood **Kambala**

65L Capacidade (aprox.)/Cada | Capacidad (aprox.) | Capacité (environ) | Capacity (approx.)

Fixação | Fijación | Fixation | Fixing - **A3**



**PAPELEIRA**|PAPELERA|CORBEILLE À PAPIER|PAPERBIN **PAINEL**

Design Microcubo | Ref:23.2.2.1



**PAPELEIRA**|PAPELERA|CORBEILLE À PAPIER|PAPERBIN **NUVEM**

Design Microcubo | Ref: 41.2.2.1



**PAPELEIRA**|PAPELERA|CORBEILLE À PAPIER|PAPERBIN **ADAPT**

Design Microcubo | Ref: 8.2.2.1



**PAPELEIRA**|PAPELERA|CORBEILLE À PAPIER|PAPERBIN **SQUARE**

Design Microcubo | Ref: 2.2.1.1



## PAPELEIRA|PAPELERA|CORBEILLE À PAPIER|PAPERBIN PAINEL/NÚVEM/ADAPT

Ferro | Hierro | Acier | Steel **(S235JR)**

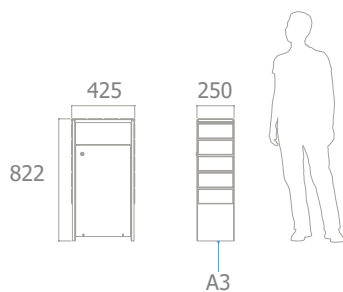
Metalização | Metalización | Métallisation | Metallization **SA2 1.5**

Cor | Color | Couleur | Color **Forja Y764**

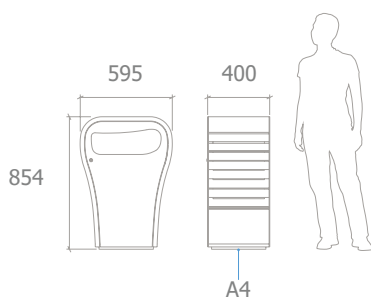
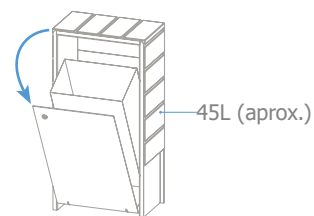
Madeira | Madera | Bois | Wood **Kambala**

100L/40L//45L/80L Capacidade (aprox.) | Capacidad (aprox.) | Capacité (environ) | Capacity (approx.)

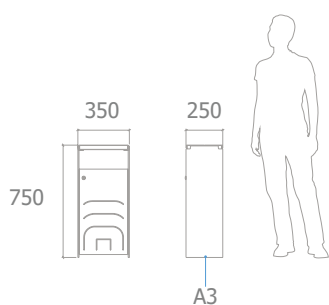
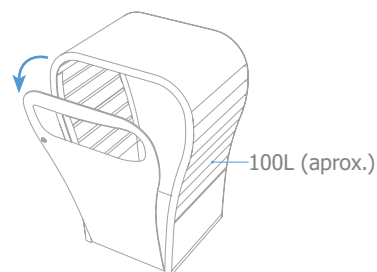
Fixação | Fijación | Fixation | Fixing - **A2/A3/A4**



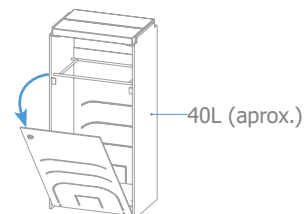
Ref: 23.2.2.1



Ref: 41.2.2.1



Ref: 8.2.2.1



## PAPELEIRA|PAPELERA|CORBEILLE À PAPIER|PAPERBIN SQUARE

Ferro | Hierro | Acier | Steel **(S235JR)**

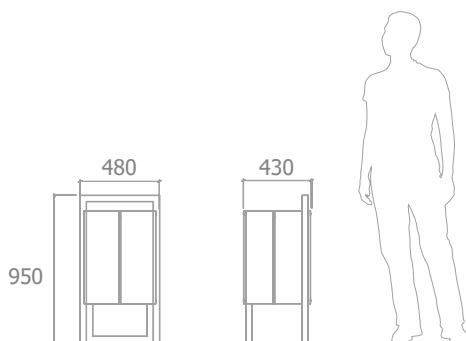
Metalização | Metalización | Métallisation | Metallization **SA2 1.5**

Cor | Color | Couleur | Color **Forja Y764**

Madeira | Madera | Bois | Wood **Kambala**

80L Capacidade (aprox.) | Capacidad (aprox.) | Capacité (environ) | Capacity (approx.)

Fixação | Fijación | Fixation | Fixing - **A2**



Ref: 2.2.1.1

**PAPELEIRA**|PAPELERA|CORBEILLE À PAPIER|PAPERBIN  
**URBAN IRON**

Design de autor: Arq. Joana Saraiva | Ref: 59.2.2.1



**PAPELEIRA**|PAPELERA|CORBEILLE À PAPIER|PAPERBIN **FIT**

Design Microcubo | Ref: 11.2.2.1



**PAPELEIRA**|PAPELERA|CORBEILLE À PAPIER|PAPERBIN **T**

Design de autor: Arq. Amélia Santos | Arq. Miguel Carvalho  
Ref: 35.2.1.1



Ref: 35.2.2.1



## PAPELEIRA|PAPELERA|CORBEILLE À PAPIER|PAPERBIN URBAN IRON/FIT

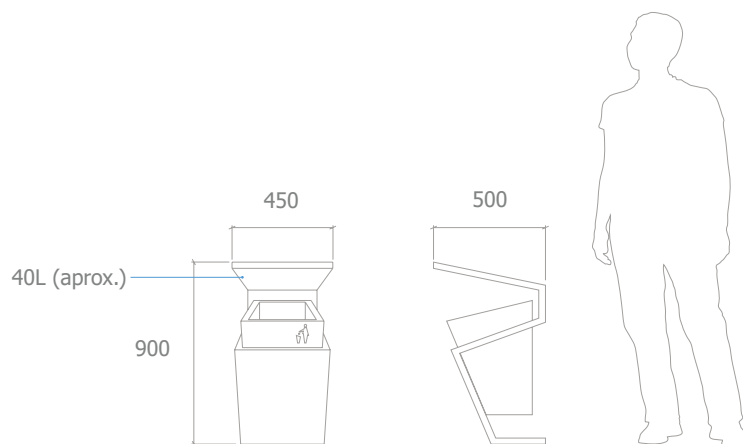
Ferro | Hierro | Acier | Steel (**S235JR**)

Metalização | Metalización | Métallisation | Metallization **SA2 1.5**

Cor | Color | Couleur | Color **Forja Y764**

35L/40L capacidade (aprox.) | Capacidad (aprox.) | Capacité (environ) | Capacity (approx.)

Fixação | Fijación | Fixation | Fixing - **A3**



Design de autor: Arq. Joana Saraiva  
Ref: 59.2.2.1



Ref: 11.2.2.1

## PAPELEIRA|PAPELERA|CORBEILLE À PAPIER|PAPERBIN T

Ferro | Hierro | Acier | Steel (**S235JR**)

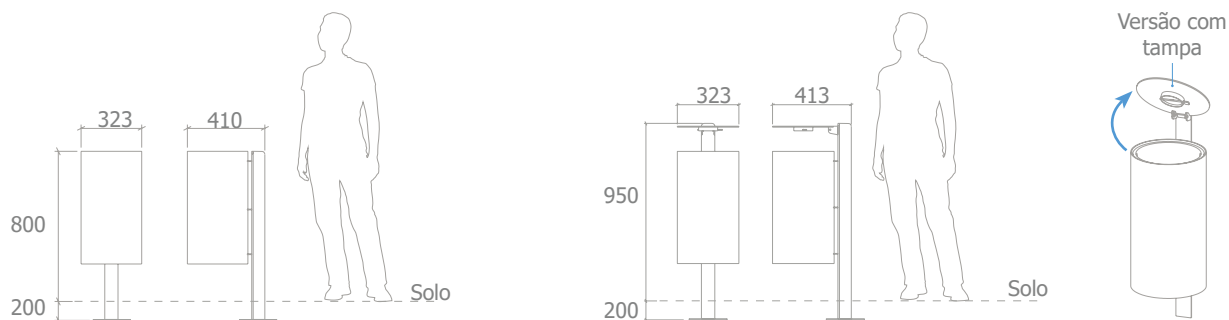
Metalização | Metalización | Métallisation | Metallization **SA2 1.5**

Cor | Color | Couleur | Color **Forja Y764**

Balde em plástico reciclado | Cubo de plástico reciclado | Seau en plastique recyclé | Recycled plastic bucket

40L Capacidade (aprox.) | Capacidad (aprox.) | Capacité (environ) | Capacity (approx.)

Fixação | Fijación | Fixation | Fixing - **A5** (Outras fixações sob consulta | Otras fijaciones bajo pedido | Autres fixations sur demande | Other attachments on request)



Design de autor: Arq. Amélia Santos | Arq. Miguel Carvalho  
Ref: 35.2.1.1

Design de autor: Arq. Amélia Santos | Arq. Miguel Carvalho  
Ref: 35.2.2.1

**PAPELEIRA**|PAPELERA|CORBEILLE À PAPIER|PAPERBIN **F1**

Design Microcubo | Ref: 17.2.2.1



**PAPELEIRA**|PAPELERA|CORBEILLE À PAPIER|PAPERBIN **ROLLER**

Design Microcubo | Ref: 10.2.2.1



**PAPELEIRA**|PAPELERA|CORBEILLE À PAPIER|PAPERBIN **SMILE**

Design Ricardo Azevedo | Ref: 16.2.2.1



**PAPELEIRA**|PAPELERA|CORBEILLE À PAPIER|PAPERBIN **REVOLUÇÃO**

Design Microcubo | Ref: 15.2.1.1



## PAPELEIRA|PAPELERA|CORBEILLE À PAPIER|PAPERBIN F1

Ferro | Hierro | Acier | Steel **(S235JR)**

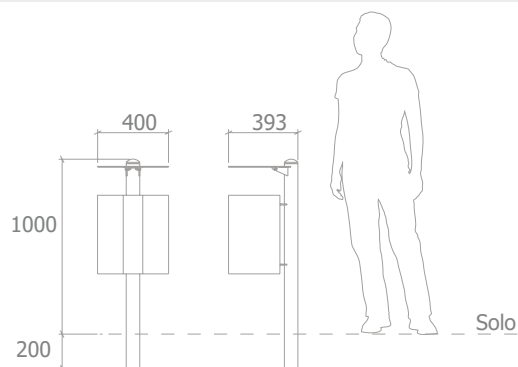
Metalização | Metalización | Métallisation | Metallization **SA2 1.5**

Tampo em Alumínio | Tapa en Aluminio | Plateau en aluminium | Top in Aluminium

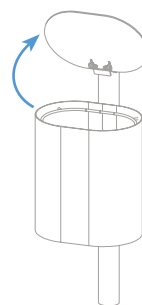
Cor | Color | Couleur | Color **Forja Y764**

40L Capacidade (aprox.) | Capacidad (aprox.) | Capacité (environ) | Capacity (approx.)

Fixação | Fijación | Fixation | Fixing - **A5** (Outras fixações sob consulta | Otras fijaciones bajo pedido | Autres fixations sur demande | Other attachments on request)



Ref: 17.2.2.1



## PAPELEIRA|PAPELERA|CORBEILLE À PAPIER|PAPERBIN ROLLER/SMILE

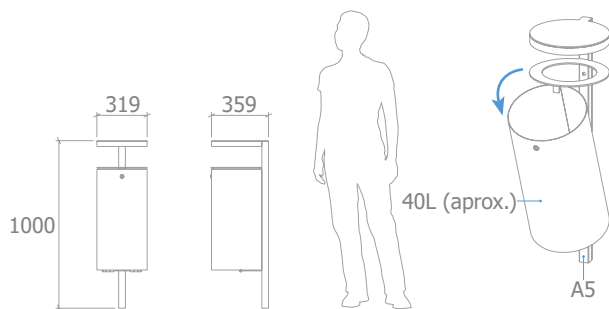
Ferro | Hierro | Acier | Steel **(S235JR)**

Metalização | Metalización | Métallisation | Metallization **SA2 1.5**

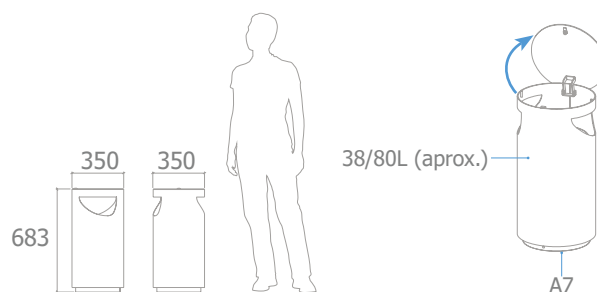
Balde em plástico reciclado | Cubo de plástico reciclado | Seau en plastique recyclé | Recycled plastic bucket

38/40L/80L Capacidade (aprox.) | Capacidad (aprox.) | Capacité (environ) | Capacity (approx.)

Fixação | Fijación | Fixation | Fixing - **A5/A7** (Outras fixações sob consulta | Otras fijaciones bajo pedido | Autres fixations sur demande | Other attachments on request)



Ref: 10.2.2.1



Ref: 16.2.2.1

## PAPELEIRA|PAPELERA|CORBEILLE À PAPIER|PAPERBIN REVOLUÇÃO

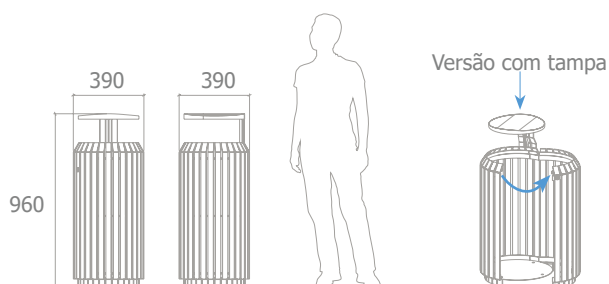
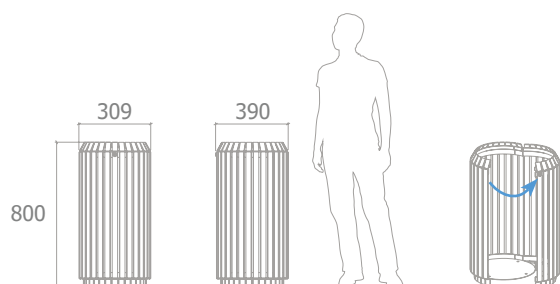
Ferro | Hierro | Acier | Steel **(S235JR)**

Galvanização | Galvanizado | Galvanisation | Galvanized

Cor | Color | Couleur | Color **Forja Y764**

75L Capacidade (aprox.) | Capacidad (aprox.) | Capacité (environ) | Capacity (approx.)

Fixação | Fijación | Fixation | Fixing - **A3**





**PAPLEIRA|PAPELERA|CORBEILLE À PAPIER|PAPERBIN SOL**

Design Microcubo | Ref: 36.2.1.1



Ref: 36.2.7.1



Ref: 36.2.8.1



# PAPELEIRA|PAPELERA|CORBEILLE À PAPIER|PAPERBIN SOL

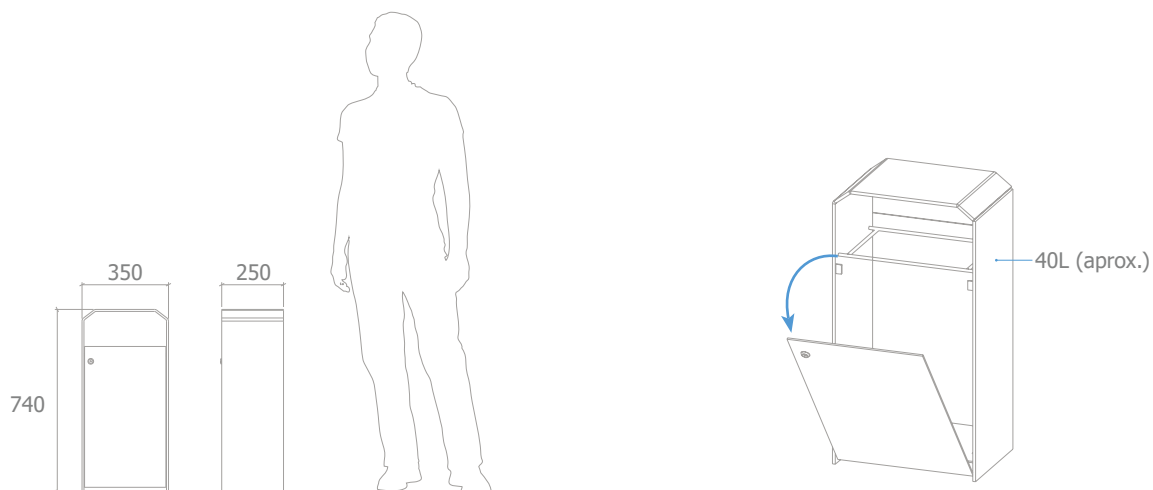
Ferro | Hierro | Acier | Steel **(S235JR)**

Metalação | Metalización | Métallisation | Metallization **SA2 1.5**

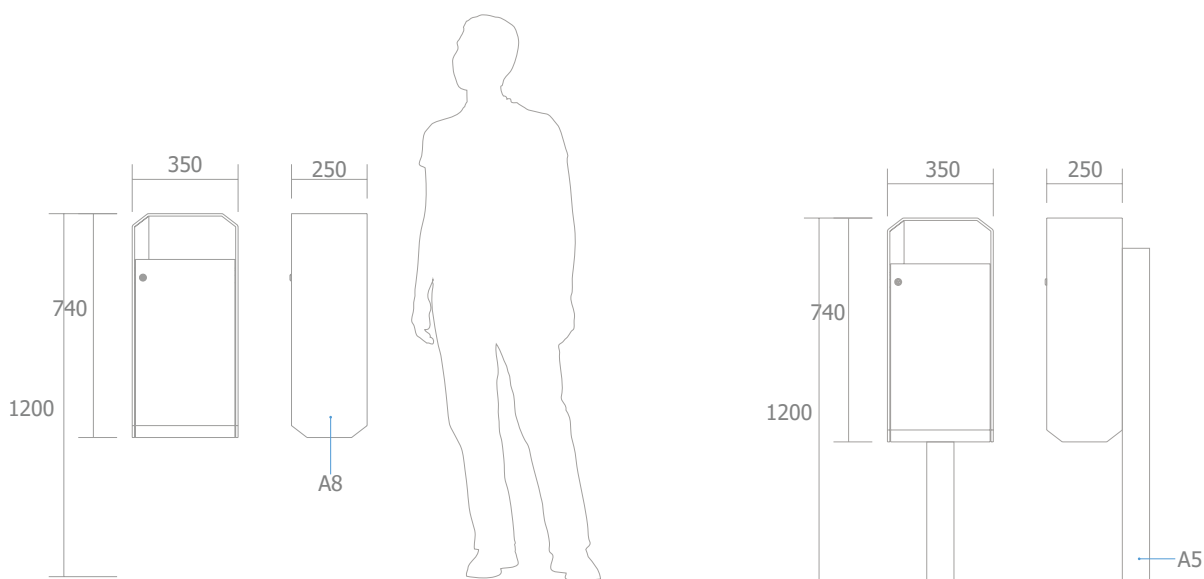
Cor | Color | Couleur | Color **Forja Y764**

40L/80L Capacidade (aprox.) | Capacidad (aprox.) | Capacité (environ) | Capacity (approx.)

Fixação | Fijación | Fixation | Fixing - **A3**

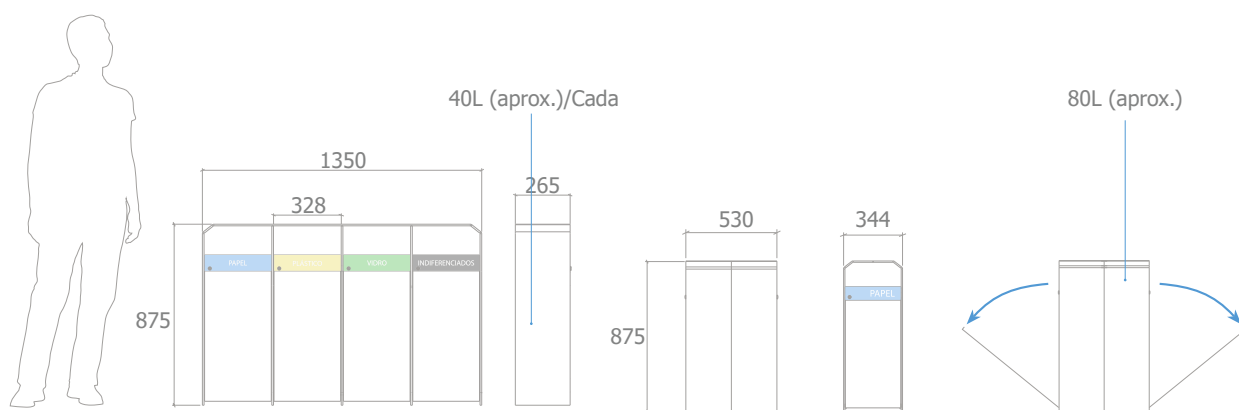


Ref: 36.2.1.1



Ref: 36.2.2.1

Ref: 36.2.3.4



Ref: 36.2.7.1

Ref: 36.2.8.1

**PAPELEIRA|PAPELERA|CORBEILLE À PAPIER|PAPERBIN WAVE**

Design Microcubo | Ref: 1.2.2.1



**PAPELEIRA|PAPELERA|CORBEILLE À PAPIER|PAPERBIN OBENTO**

Design Microcubo | Ref: 79.2.2.1



# PAPELEIRA | PAPELERA | CORBEILLE À PAPIER | PAPERBIN WAVE/OBENTO

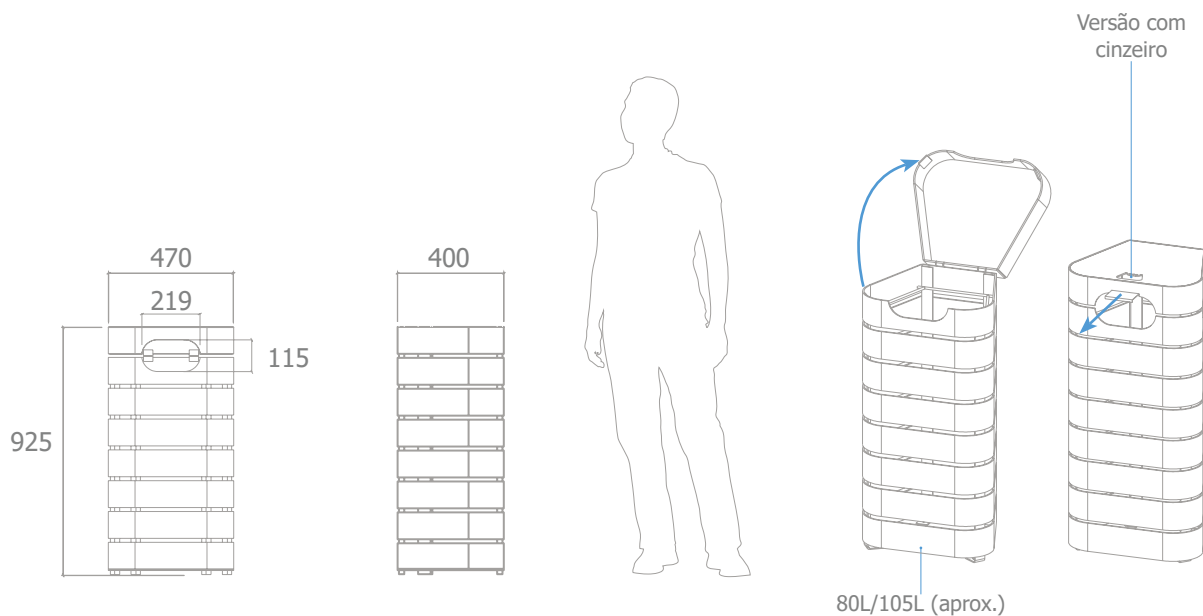
Ferro | Hierro | Acier | Steel (**S235JR**)

Galvanização | Galvanizado | Galvanisation | Galvanized

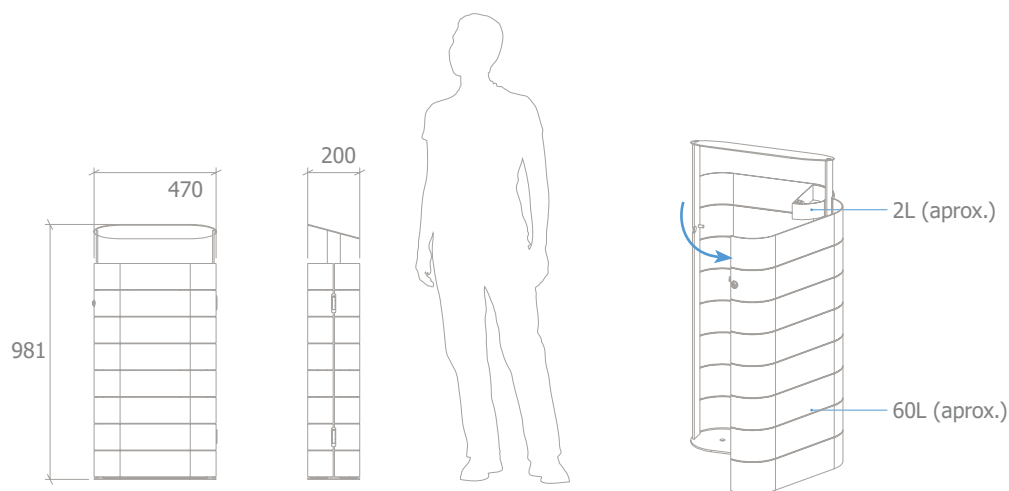
Cor | Color | Couleur | Color **Forja Y764**

45L/60L/80L /105L Capacidade (aprox.) | Capacidad (aprox.) | Capacité (environ) | Capacity (approx.)

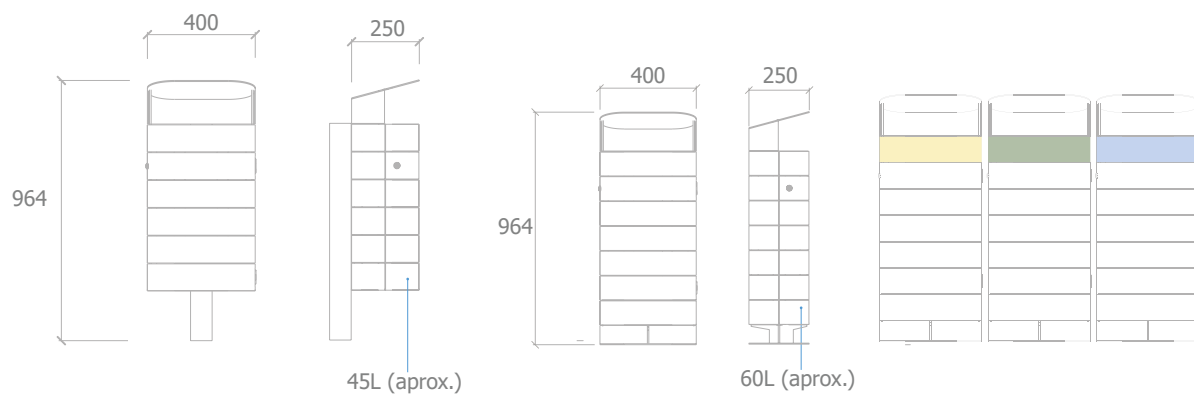
Fixação | Fijación | Fixation | Fixing - **A3**



Ref: 1.2.2.1 + Ref: 1.2.2.4



Ref: 1.6.1.2



Ref: 79.2.2.1

Ref: 79.2.2.9

**PAPELEIRA|PAPELERA|CORBEILLE À PAPIER|PAPERBIN 360**

Design Microcubo | Ref: 13.2.2.1



Design Microcubo | Ref: 13.2.3.2



Ref: 13.2.1.2



Ref: 13.2.1.8



## PAPELEIRA | PAPELERA | CORBEILLE À PAPIER | PAPERBIN 360

Ferro | Hierro | Acier | Steel **(S235JR)**

Metalização | Metalización | Métallisation | Metallization **SA2 1.5**

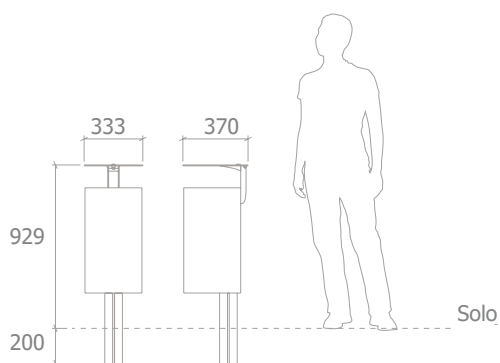
Cor | Color | Couleur | Color **Forja Y764**

Balde em plástico reciclado | Cubo de plástico reciclado | Seau en plastique recyclé | Recycled plastic bucket

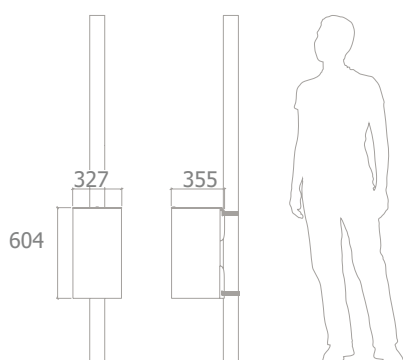
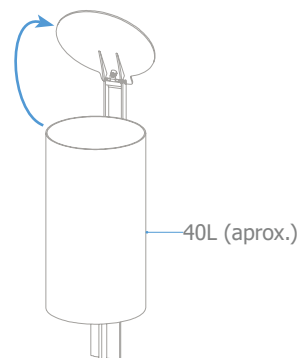
40L/48L Capacidade (aprox.) | Capacidad (aprox.) | Capacité (environ) | Capacity (approx.)

Lettering por gravação em baixo relevo | Lettering por grabado en bajorrelieve | Gravure en bas-relief | Lettering by bas-relief engraving

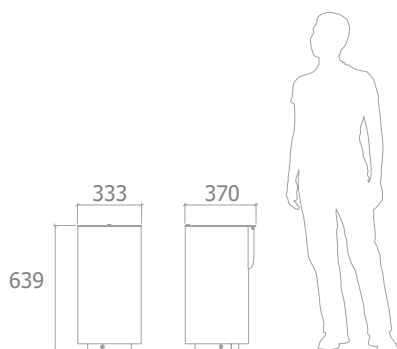
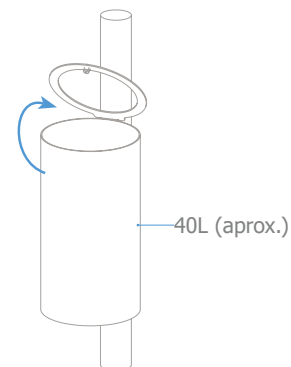
Fixação | Fijación | Fixation | Fixing - **A5**



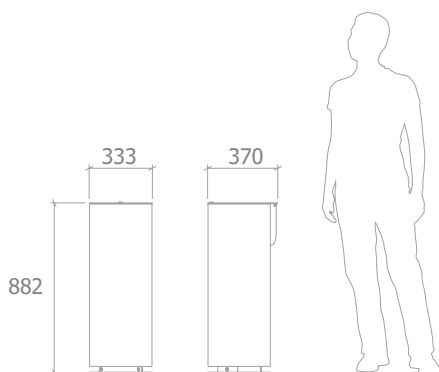
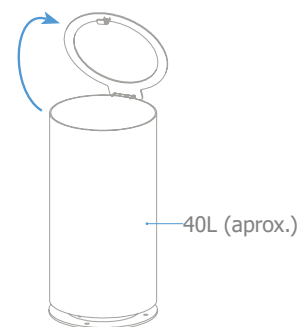
Ref: 13.2.2.1



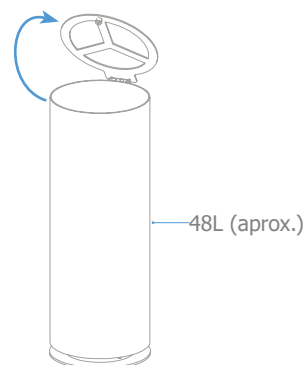
Ref: 13.2.3.2



Ref: 13.2.1.2



Ref: 13.2.1.8



**PAPELEIRA|PAPELERA|CORBEILLE À PAPIER|PAPERBIN N2**

Design Microcubo | Ref: 77.2.2.9



**PAPELEIRA|PAPELERA|CORBEILLE À PAPIER|PAPERBIN PARQUE**

Design Microcubo | Ref: 3.2.2.9



## PAPELEIRA|PAPELERA|CORBEILLE À PAPIER|PAPERBIN N2

Betão | Hormigón | Béton | Concrete **c30/37** (Cor natural/branco | color natural/blanco | couleur naturelle/blanche | Natural/white colored)

Ferro | Hierro | Acier | Steel (**S235JR**)

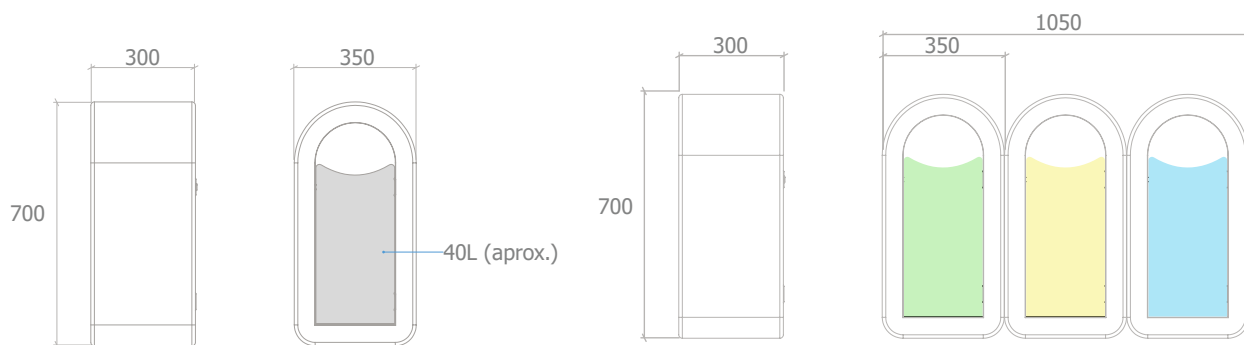
Metalação | Metalización | Métallisation | Metallization **SA2 1.5**

Cor | Color | Couleur | Color **Forja Y764**

Ecoponto **RAL 6001 / RAL 1023 / RAL 5005**

40L Capacidade/Cada (aprox.) | Capacidad (aprox.) | Capacité (environ) | Capacity (approx.)

Fixação | Fijación | Fixation | Fixing - **A1**



Ref: 77.2.2.9

## PAPELEIRA|PAPELERA|CORBEILLE À PAPIER|PAPERBIN PARQUE

Betão | Hormigón | Béton | Concrete **c30/37** (Cor natural/branco | color natural/blanco | couleur naturelle/blanche | Natural/white colored)

Ferro | Hierro | Acier | Steel (**S235JR**)

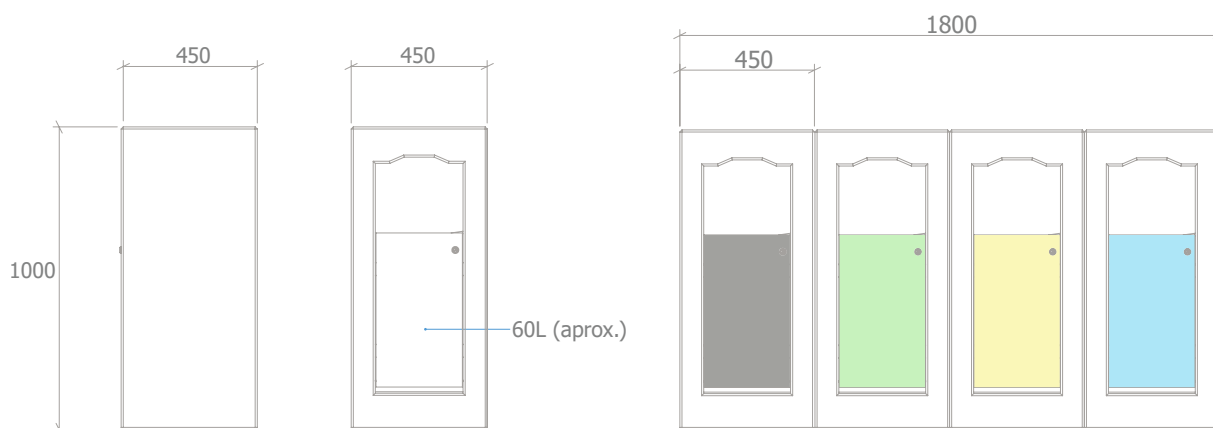
Metalação | Metalización | Métallisation | Metallization **SA2 1.5**

Cor | Color | Couleur | Color **Forja Y764**

Ecoponto **RAL 6001 / RAL 1023 / RAL 5005**

60L Capacidade/Cada (aprox.) | Capacidad (aprox.) | Capacité (environ) | Capacity (approx.)

Fixação | Fijación | Fixation | Fixing - **A1**



Ref: 3.2.2.9



**DISPENSADOR DE SACOS|DISPENSADOR DE BOLSAS|DISTRIBUTEUR DE SACS|BAG DISPENSER SOL**

Design Microcubo | Ref. 36.11.2.1 + 36.11.2.2



## DISPENSADOR DE SACOS | DISPENSADOR DE BOLSAS | DISTRIBUTEUR DE SACS | BAG DISPENSER SOL

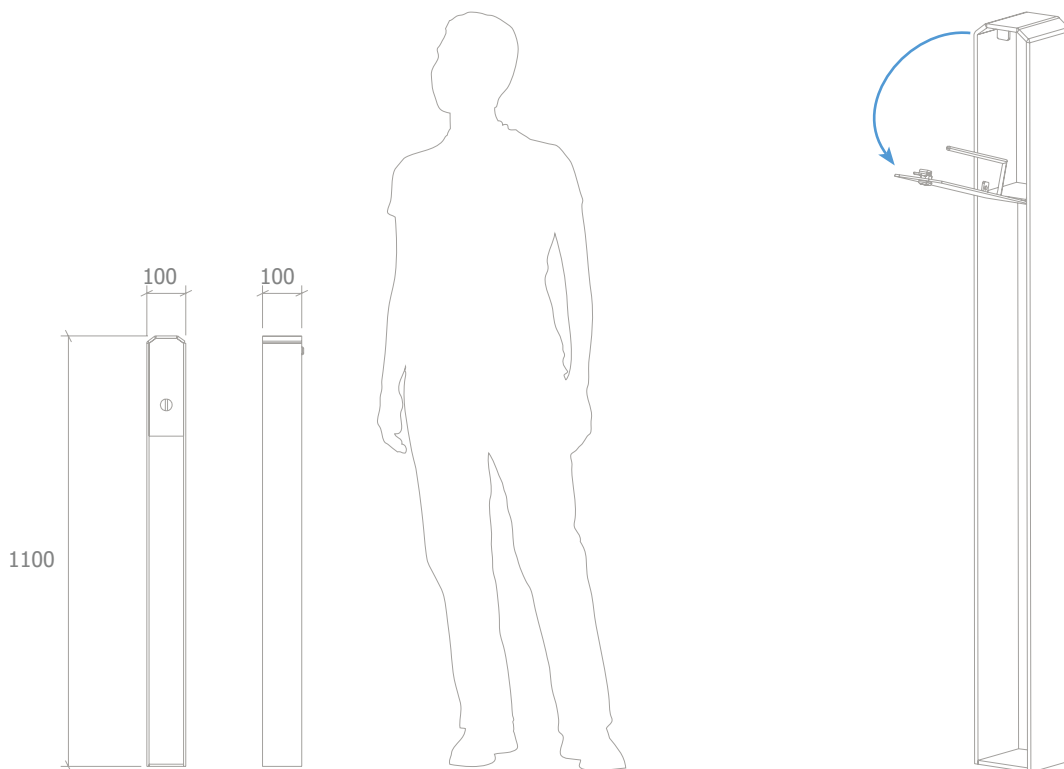
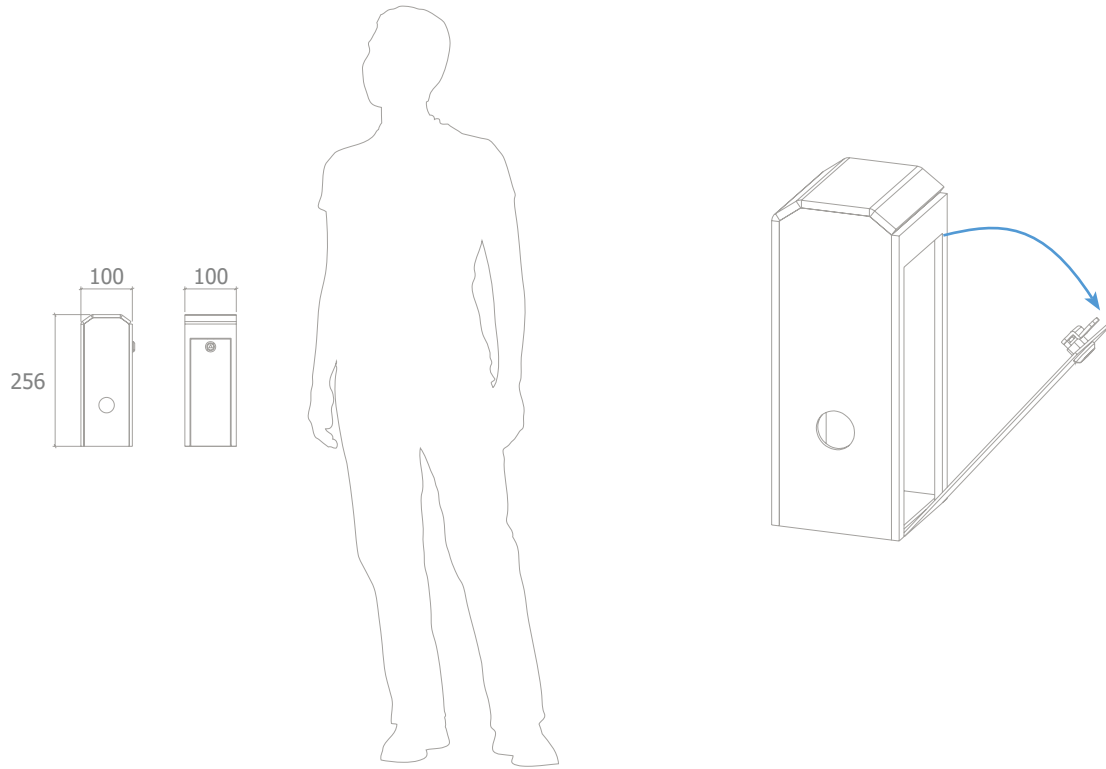
Ferro | Hierro | Acier | Steel (S235JR)

Metalação | Metalización | Métallisation | Metallization SA2 1.5

Cor | Color | Couleur | Color Forja Y764

Grafismo com recurso a máscara de pintura | Gráficos usando una máscara de pintura | Graphiques utilisant un masque de peinture | Graphics using a paint mask

Fixação | Fijación | Fixation | Fixing - A3



**WC CANINO** | WC DE PIERRO | POUBELLES CANINES | DOG TOILET **SOL**

Design Microcubo | Ref: 36.11.1.1



**WC CANINO** | WC DE PIERRO | POUBELLES CANINES | DOG TOILET **UNIC**

Design Microcubo | Ref: 30.11.1.1



**WC CANINO** | WC DE PIERRO | POUBELLES CANINES | DOG TOILET **SMILE**

Design Microcubo | Ref: 16.11.1.1



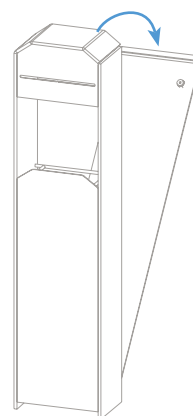
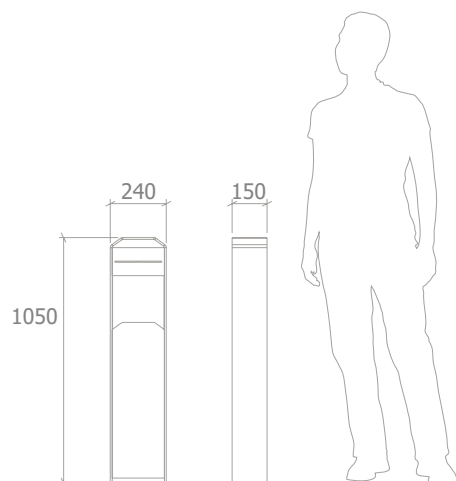
## WC CANINO | WC DE PIERRO | POUBELLES CANINES | DOG TOILET SOL/UNIC/SMILE

Ferro | Hierro | Acier | Steel (S235JR)

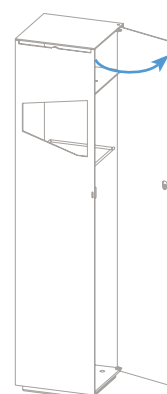
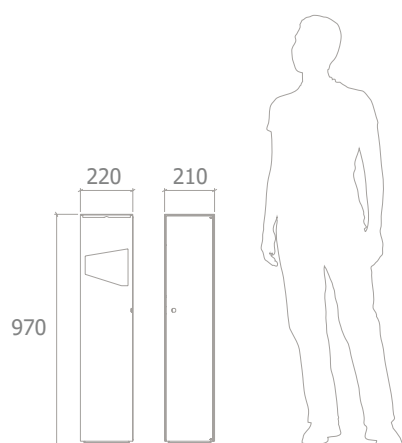
Metalação | Metalización | Métallisation | Metallization SA2 1.5

Cor | Color | Couleur | Color Forja Y764

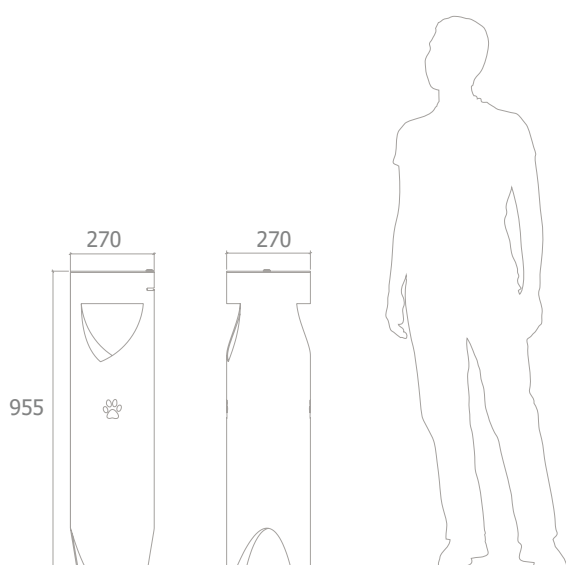
Fixação | Fijación | Fixation | Fixing - A3/A4



Ref: 36.11.1.1



Ref: 30.11.1.1



Ref: 16.11.1.1

**CINZEIRO|CENICERO|CENDRIERS|ASHTRAYS F1**

Design Microcubo | Ref: 17.6.3.1



**CINZEIRO|CENICERO|CENDRIERS|ASHTRAYS SQUARE**

Design Microcubo | Ref: 2.6.1.3



Ref: 2.6.4.1



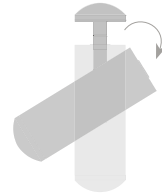
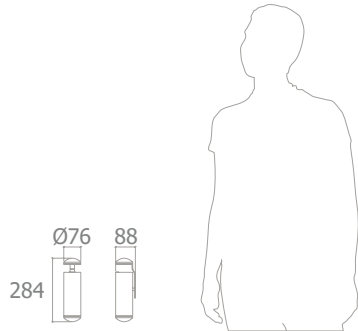
## CINZEIRO | CENICERO | CENDRIERS | ASHTRAYS F1

Ferro | Hierro | Acier | Steel (**S235JR**)

Tampo em Alumínio | Tapa en Aluminio | Plateau en aluminium | Top in Aluminium

Cor | Color | Couleur | Color **RAL 7016 forjado**

Fixação | Fijación | Fixation | Fixing - **A4**



Ref: 17.6.3.1

## CINZEIRO | CENICERO | CENDRIERS | ASHTRAYS SQUARE

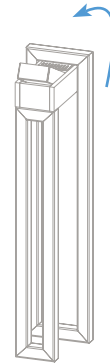
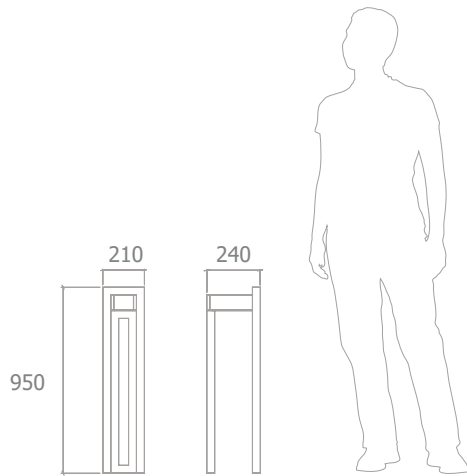
Ferro | Hierro | Acier | Steel (**S235JR**)

Metalização | Metalización | Métallisation | Metallization **SA2 1.5**

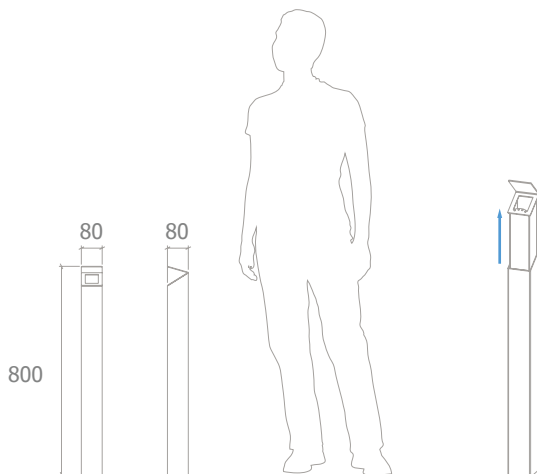
Cor | Color | Couleur | Color **Forja Y764**

Madeira | Madera | Bois | Wood **Kambala**

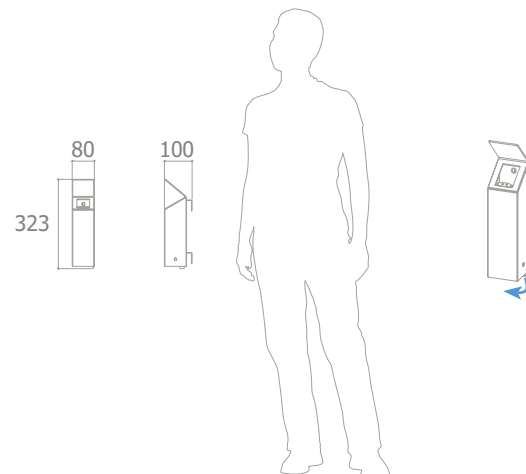
Fixação | Fijación | Fixation | Fixing - **A2**



Ref: 2.6.1.3



Ref: 2.6.4.1



Ref: 2.6.6.1 | Fixação - A4

**CINZEIRO|CENICERO|CENDRIERS|ASHTRAYS URBAN IRON**

Design de autor: Arq. Joana Saraiva | Ref: 59.6.1.1



Ref: 59.6.3.1



**CINZEIRO|CENICERO|CENDRIERS|ASHTRAYS UPN**

Design Microcubo | Ref: 27.6.1.5



**CINZEIRO|CENICERO|CENDRIERS|ASHTRAYS SOL**

Design Microcubo | Ref: 36.6.1.1



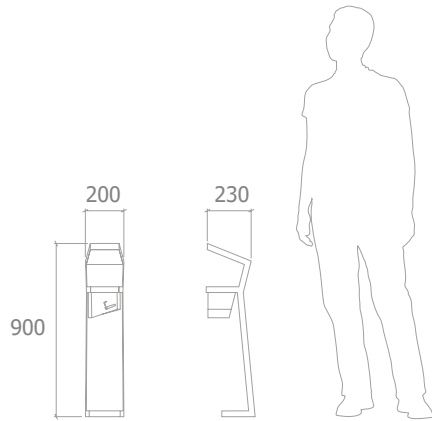
## CINZEIRO | CENICERO | CENDRIERS | ASHTRAYS URBAN IRON

Ferro | Hierro | Acier | Steel **(S235JR)**

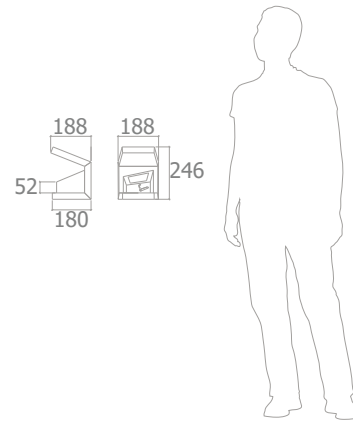
Metalação | Metalización | Métallisation | Metallization **SA2 1.5**

Cor | Color | Couleur | Color **Forja Y764**

Fixação | Fijación | Fixation | Fixing - **A3**



Design de autor: Arq. Joana Saraiva  
Ref: 59.6.1.1



Design de autor: Arq. Joana Saraiva  
Ref: 59.6.3.1

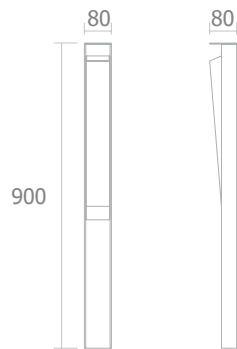
## CINZEIRO | CENICERO | CENDRIERS | ASHTRAYS UPN/SOL

Ferro | Hierro | Acier | Steel **(S235JR)**

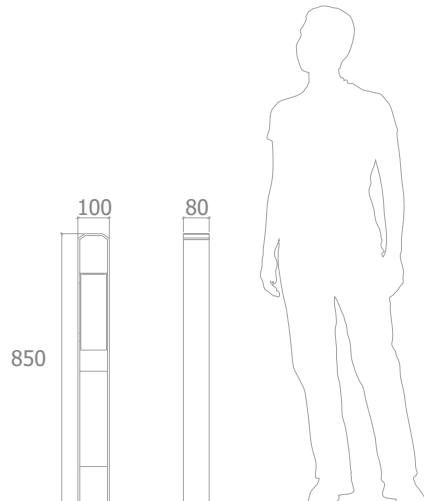
Metalação | Metalización | Métallisation | Metallization **SA2 1.5**

Cor | Color | Couleur | Color **Forja Y764**

Fixação | Fijación | Fixation | Fixing - **A5** (Outras fixações sob consulta | Otras fijaciones bajo pedido | Autres fixations sur demande | Other attachments on request)



Ref: 27.6.1.5



Ref: 36.6.1.1





**DISSUASOR | BOLARDO | BORNE DE PROTECTION | BOLLARD Ø159**

Design Microcubo | Ref: 67.4.1.1



**DISSUASOR | BOLARDO | BORNE DE PROTECTION | BOLLARD P1 - PLÁSTICO ROTOMOLDADO**

Design Microcubo | Ref: 60.4.1.1



**DISSUASOR | BOLARDO | BORNE DE PROTECTION | BOLLARD T**

Design de autor: Arq. Amélia Santos | Arq. Miguel Carvalho  
Ref: 35.4.1.3



**DISSUASOR | BOLARDO | BORNE DE PROTECTION | BOLLARD FIXO WAVE**

Design Microcubo | Ref: 1.4.1.1

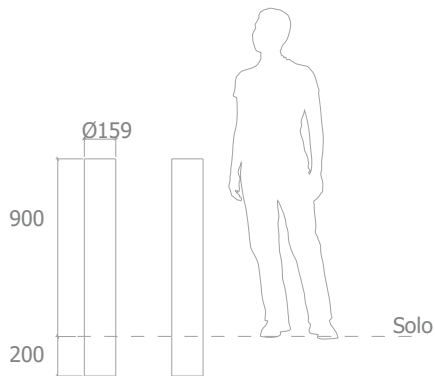


## DISSUASOR | BOLARDO | BORNE DE PROTECTION | BOLLARD Ø159

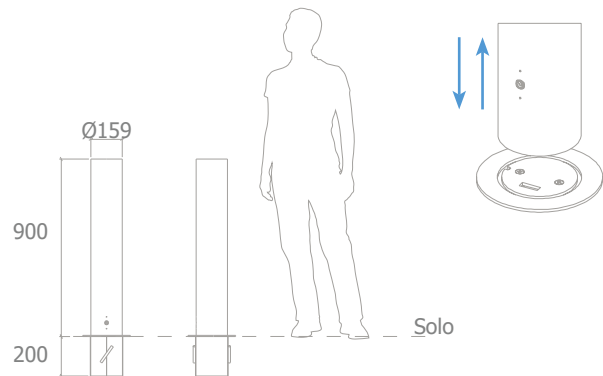
Ferro | Hierro | Acier | Steel (**S235JR**)

Cor | Color | Couleur | Color **RAL 7016 forjado**

Fixação | Fijación | Fixation | Fixing - **A5**



Ref: 67.4.1.1

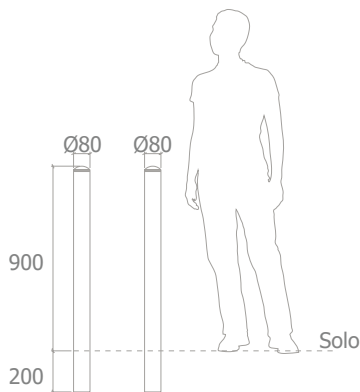


Ref: 67.4.7.1

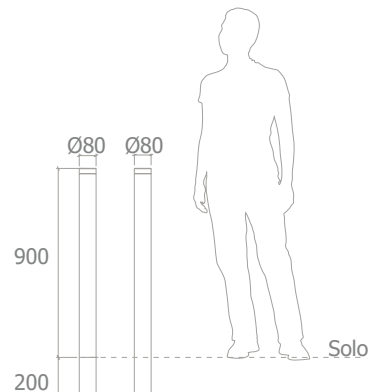
## DISSUASOR | BOLARDO | BORNE DE PROTECTION | BOLLARD P1 - PLÁSTICO ROTOMOLDADO

Plástico Rotomoldado reciclado

Fixação | Fijación | Fixation | Fixing - **A5**



Ref: 60.4.1.1



Ref: 60.4.1.2

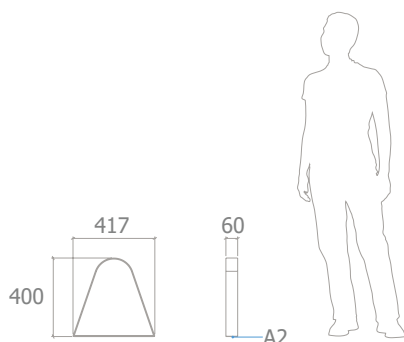
## DISSUASOR | BOLARDO | BORNE DE PROTECTION | BOLLARD WAVE/T

Ferro | Hierro | Acier | Steel (**S235JR**)

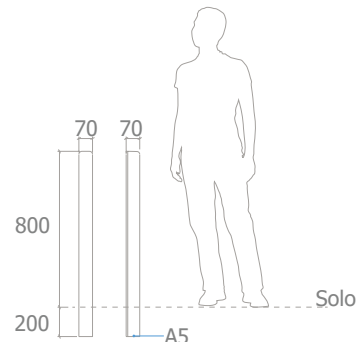
Metalização | Metalización | Métallisation | Metallization **SA2 1.5**

Cor | Color | Couleur | Color **Forja Y764**

Fixação | Fijación | Fixation | Fixing - **A2/A5**



Ref: 1.4.1.1



Design de autor: Arq. Amélia Santos | Arq. Miguel Carvalho  
Ref: 35.4.1.3

**DISSUASOR|BOLARDO|BORNE DE PROTECTION|BOLLARD FIXO SOL**

Design Microcubo | Ref: 36.4.1.3



**DISSUASOR|BOLARDO|BORNE DE PROTECTION|BOLLARD TOWER**

Design Microcubo | Ref: 76.4.1.1



**DISSUASOR|BOLARDO|BORNE DE PROTECTION|BOLLARD SQUARE**

Design Microcubo | Ref: 2.4.4.1



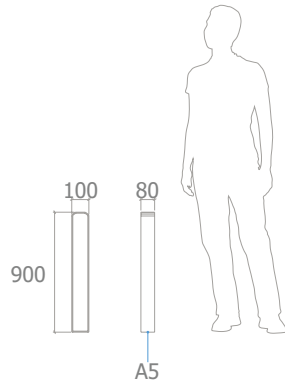
## DISSUASOR | BOLARDO | BORNE DE PROTECTION | BOLLARD SOL

Ferro | Hierro | Acier | Steel **(S235JR)**

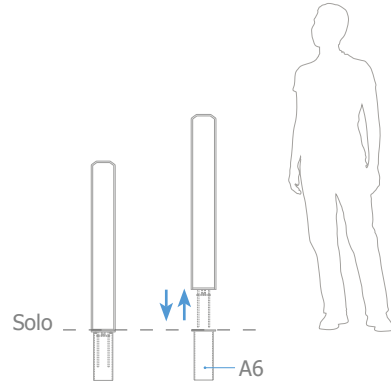
Metalização | Metalización | Métallisation | Metallization **SA2 1.5**

Cor | Color | Couleur | Color **Forja Y764**

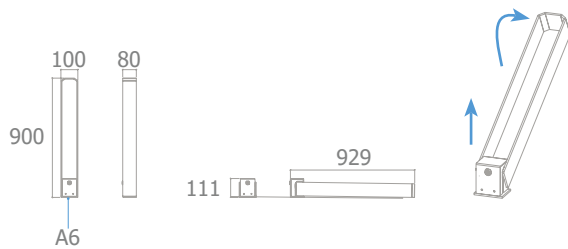
Fixação | Fijación | Fixation | Fixing - **A5**



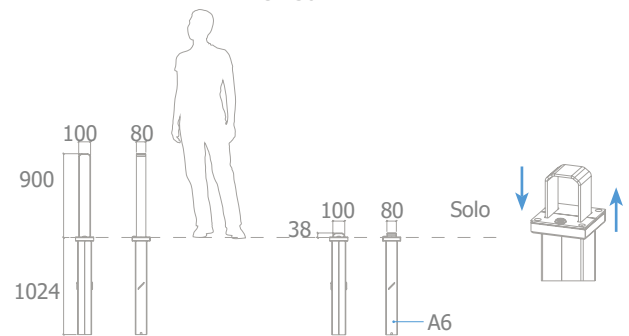
Ref: 36.4.1.3



Ref: 36.4.7.1



Ref: 36.4.2.1



Ref: 36.4.3.1

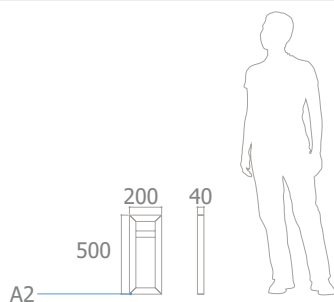
## DISSUASOR | BOLARDO | BORNE DE PROTECTION | BOLLARD TOWER/SQUARE

Ferro | Hierro | Acier | Steel **(S235JR)**

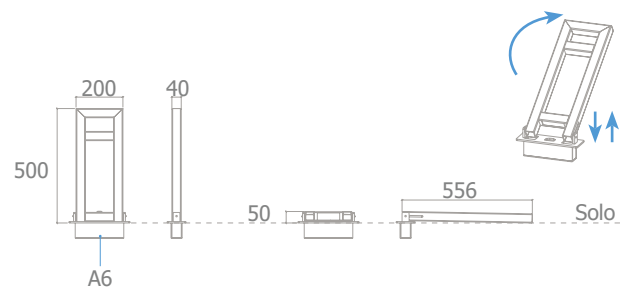
Metalização | Metalización | Métallisation | Metallization **SA2 1.5**

Cor | Color | Couleur | Color **Forja Y764**

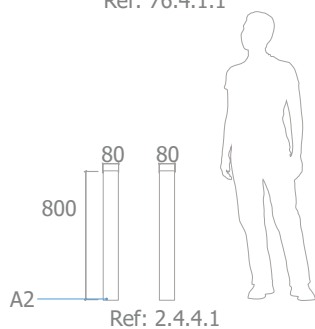
Fixação | Fijación | Fixation | Fixing - **A2/A6**



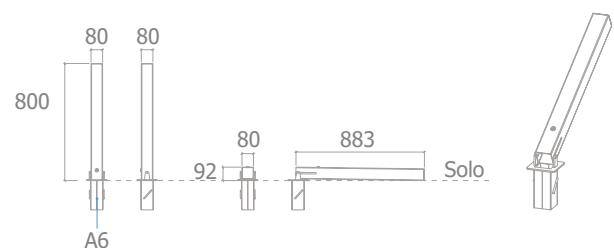
Ref: 76.4.1.1



Ref: 76.4.2.1



Ref: 2.4.4.1



Ref: 2.4.5.3

**DISSUASOR**|BOLARDO|BORNE DE PROTECTION|BOLLARD  
**F1**

Design Microcubo | Ref: 17.4.1.1



**DISSUASOR**|BOLARDO|BORNE DE PROTECTION|BOLLARD  
**Ø90**

Design Microcubo | Ref: 64.4.1.1



**DISSUASOR**|BOLARDO|BORNE DE PROTECTION|BOLLARD  
**FIXO I1**

Design Microcubo | Ref: 21.4.1.2



**GUARDA CORPOS**|BARANDILLAS|BARRIÈRES DE  
**SÉCURITÉ**|GUARDRAILS **F1**

Design Microcubo | Ref: 17.12.1.1



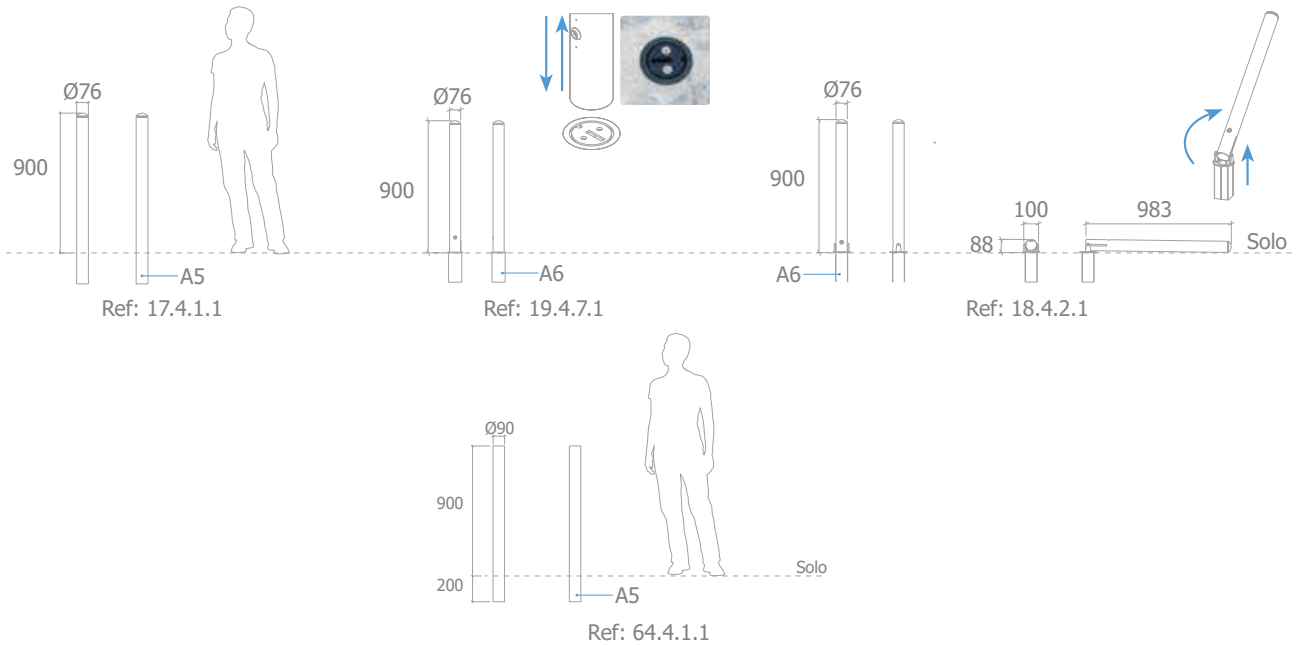
## DISSUASOR | BOLARDO | BORNE DE PROTECTION | BOLLARD F1/Ø90

Ferro | Hierro | Acier | Steel (**S235JR**)

Tampo em Alumínio | Tapa en Aluminio | Plateau en aluminium | Top in Aluminium

Cor | Color | Couleur | Color **RAL 7016 forjado**

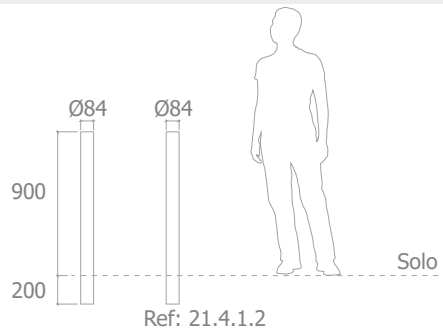
Fixação | Fijación | Fixation | Fixing - **A5/A6**



## DISSUASOR | BOLARDO | BORNE DE PROTECTION | BOLLARD I1

Inox 316 escovado | Acero inoxidable 316 cepillado | Acier inoxydable 316 brossé | 316 Stainless Steel Brushed

Fixação | Fijación | Fixation | Fixing - **A5**



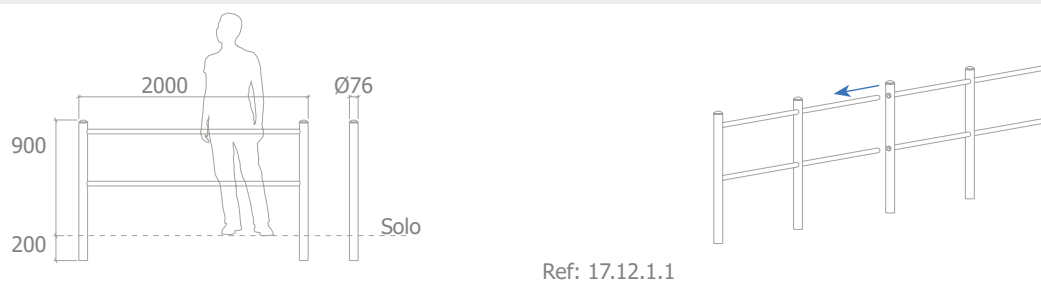
## GUARDA CORPOS | BARANDILLAS | BARRIÈRES DE SÉCURITÉ | GUARDRAILS F1

Ferro | Hierro | Acier | Steel (**S235JR**)

Tampo em Alumínio | Tapa en Aluminio | Plateau en Aluminium | Top in Aluminium

Cor | Color | Couleur | Color **RAL 7016 forjado**

Fixação | Fijación | Fixation | Fixing - **A5**



**DISSUASOR**|BOLARDO|BORNE DE PROTECTION|BOLLARD  
**LINHA 5**

Design de autor: Arq. João Madalena | Ref: 46.4.4.1



Design de autor: Arq. João Madalena | Ref: 46.4.1.1



**DISSUASOR**|BOLARDO|BORNE DE PROTECTION|BOLLARD  
**FIXO UPN**

Design Microcubo | Ref: 27.4.1.1



**DISSUASOR**|BOLARDO|BORNE DE PROTECTION|BOLLARD  
**100S**

Design de autor: Baldios Arquitectos Paisagistas | Ref: 78.4.7.1



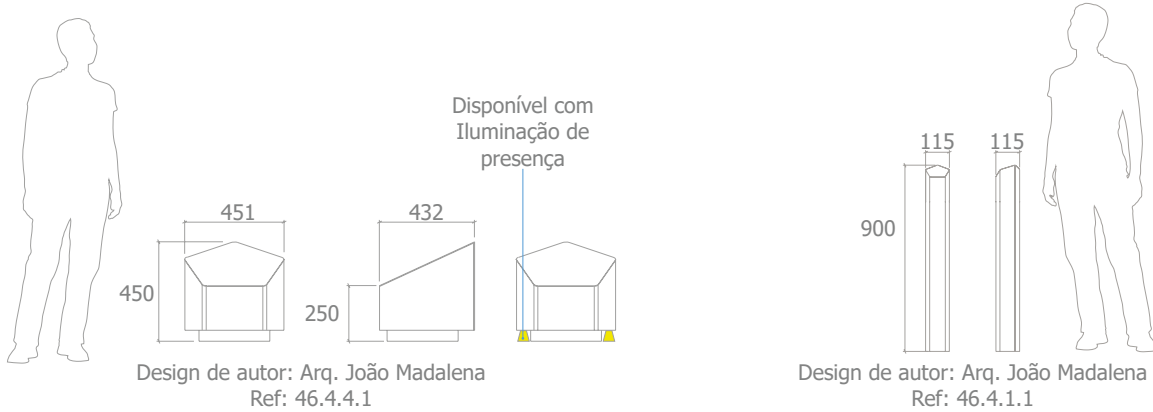
## DISSUASOR | BOLARDO | BORNE DE PROTECTION | BOLLARD LINHA 5

Ferro | Hierro | Acier | Steel (S235JR)

Metalização | Metalización | Métallisation | Metallization SA2 1.5

Cor | Color | Couleur | Color Forja Y764

Fixação | Fijación | Fixation | Fixing - A2



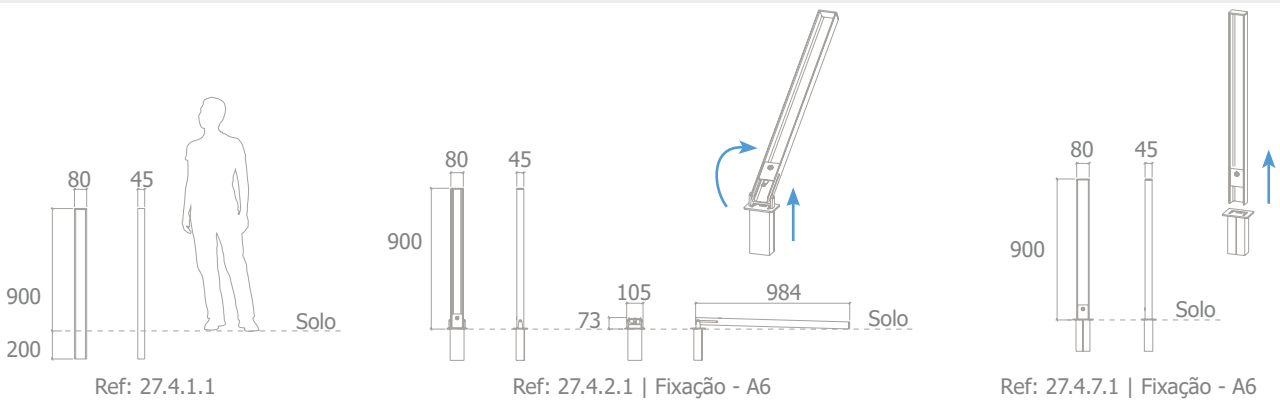
## DISSUASOR | BOLARDO | BORNE DE PROTECTION | BOLLARD UPN

Ferro | Hierro | Acier | Steel (S235JR)

Metalização | Metalización | Métallisation | Metallization SA2 1.5

Cor | Color | Couleur | Color Forja Y764

Fixação | Fijación | Fixation | Fixing - A5



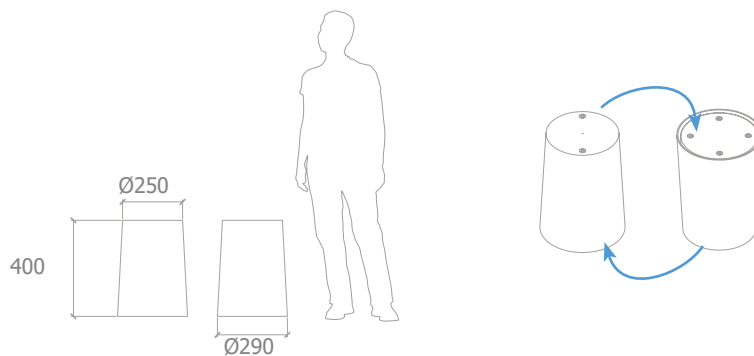
## DISSUASOR | BOLARDO | BORNE DE PROTECTION | BOLLARD 100S

Ferro | Hierro | Acier | Steel (S235JR)

Madeira | Madera | Bois | Wood Kambala

Cor | Color | Couleur | Color Forja Y764

Fixação | Fijación | Fixation | Fixing - A2



Design de autor: Baldios Arquitectos Paisagistas  
Ref: 78.4.7.1



**ESTACIONAMENTO BICICLETAS** | APARCABICICLETAS | SUPPORT  
POUR VÉLO | BICYCLE STAND **T**

Design de autor: Arq. Amélia Santos | Arq. Miguel Carvalho  
Ref: 35.5.1.1



**PARQUE BICICLETAS** | APARCABICICLETAS | SUPPORT POUR VÉLO |  
BICYCLE STAND **UPN**

Design Microcubo | Ref: 27.5.1.1



**ESTACIONAMENTO BICICLETAS** | APARCABICICLETAS | SUPPORT POUR VÉLO | BICYCLE STAND **URBAN IRON**

Design de autor: Arq. Joana Saraiva | Ref: 59.5.1.1



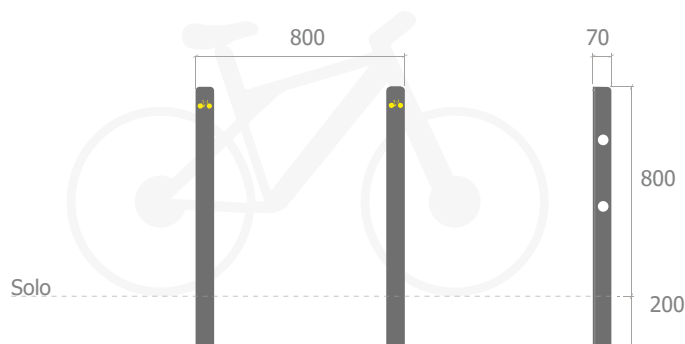
## ESTACIONAMENTO BICICLETAS | APARCABICICLETAS | SUPPORT POUR VÉLO | BICYCLE STAND T

Ferro | Hierro | Acier | Steel (**S235JR**)

Metalização | Metalización | Métallisation | Metallization **SA2 1.5**

Cor | Color | Couleur | Color **Forja Y764**

Fixação | Fijación | Fixation | Fixing - **A5**



Design de autor: Arq. Amélia Santos | Arq. Miguel Carvalho | Ref: 35.5.1.1

## PARQUE BICICLETAS | APARCABICICLETAS | SUPPORT POUR VÉLO | BICYCLE STAND UPN

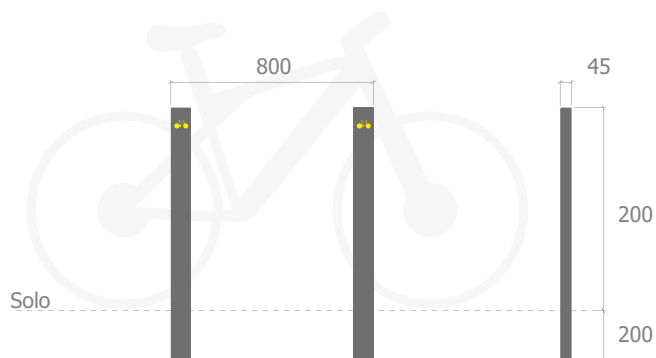
Ferro | Hierro | Acier | Steel (**S235JR**)

Metalização | Metalización | Métallisation | Metallization **SA2 1.5**

Cor | Color | Couleur | Color **Forja Y764**

Lotação 4 lugares | Capacidad 4 bicicletas | Capacité 4 places | Capacity 4 seats

Fixação | Fijación | Fixation | Fixing - **A5**



Ref: 27.5.1.1

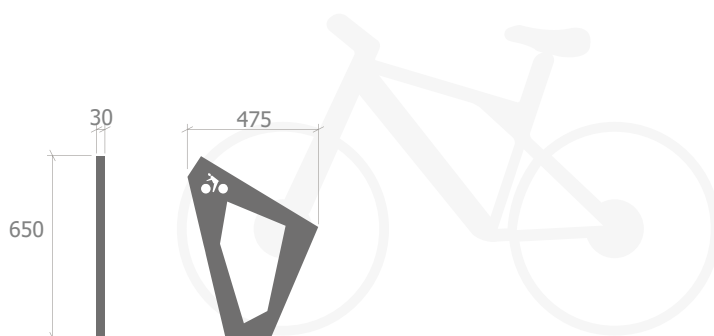
## ESTACIONAMENTO BICICLETAS | APARCABICICLETAS | SUPPORT POUR VÉLO | BICYCLE STAND URBAN IRON

Ferro | Hierro | Acier | Steel (**S235JR**)

Metalização | Metalización | Métallisation | Metallization **SA2 1.5**

Cor | Color | Couleur | Color **Forja Y764**

Fixação | Fijación | Fixation | Fixing - **A3**



Design de autor: Arq. Joana Saraiva

Ref: 59.5.1.1

**PARQUE BICICLETAS|APARCABICICLETAS|SUPPORT POUR VÉLO|BICYCLE STAND MÚLTIPLO WAVE**

Design Microcubo | Ref: 1.5.4.1



Ref: 1.5.5.1



Ref: 1.5.1.1



## PARQUE BICICLETAS | APARCABICICLETAS | SUPPORT POUR VÉLO | BICYCLE STAND WAVE

Ferro | Hierro | Acier | Steel (**S235JR**)

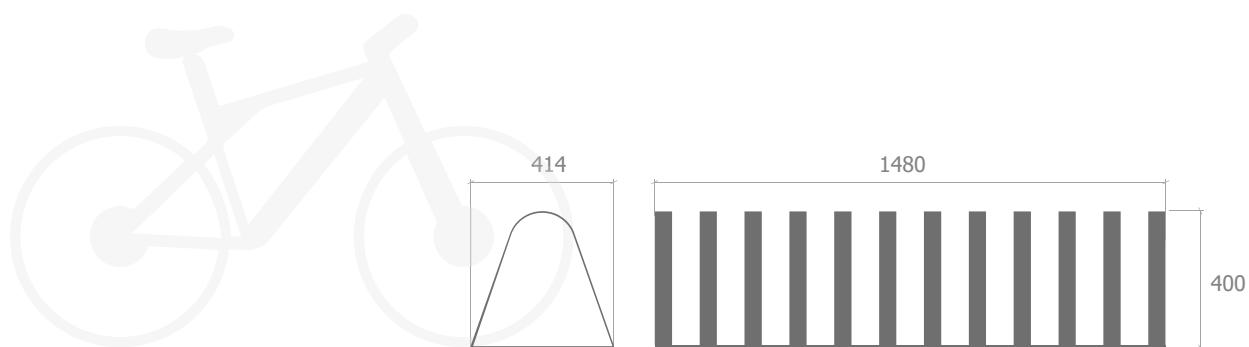
Barra | Barra | Barre | Bar **50x5 mm**

Barra | Barra | Barre | Bar **60x5 mm**

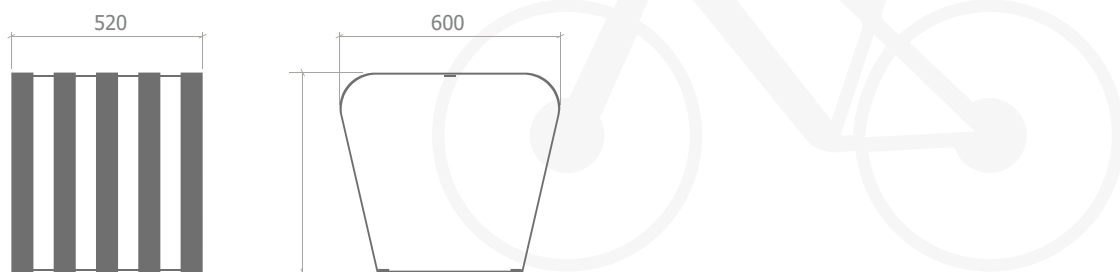
Galvanização | Galvanizado | Galvanisation | Galvanized

Cor | Color | Couleur | Color **Forja Y764**

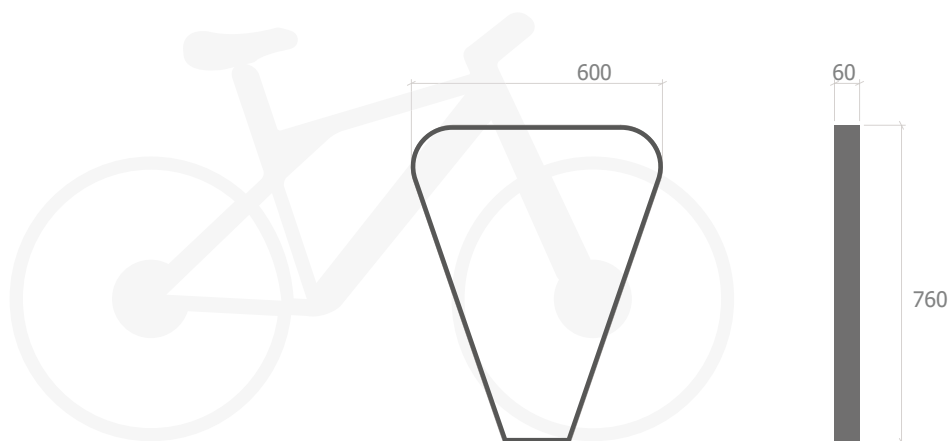
Fixação | Fijación | Fixation | Fixing - **A4**



Ref: 1.5.4.1



Ref: 1.5.5.1



Ref: 1.5.1.1 | Fixação - A2

**PARQUE BICICLETAS** / APARCABICICLETAS / SUPPORT POUR VÉLO /  
BICYCLE STAND **MÚLTIPLO PENTAGONAL**

Design de autor: Arq. João Madalena | Ref: 46.5.4.1



**PARQUE BICICLETAS** / APARCABICICLETAS / SUPPORT POUR VÉLO /  
BICYCLE STAND **INDIVIDUAL SOL**

Design Microcubo | Ref: 36.5.1.1



**PARQUE BICICLETAS** / APARCABICICLETAS / SUPPORT POUR VÉLO /  
BICYCLE STAND **U**

Ref: 45.5.1.1



**PARQUE BICICLETAS** / APARCABICICLETAS / SUPPORT POUR VÉLO /  
BICYCLE STAND **MÚLTIPLO QUADRUS**

Design Microcubo | Ref: 25.5.4.1



## PARQUE BICICLETAS | APARCABICICLETAS | SUPPORT POUR VÉLO | BICYCLE STAND MÚLTIPLO PENTAGONAL / INDIVIDUAL SOL

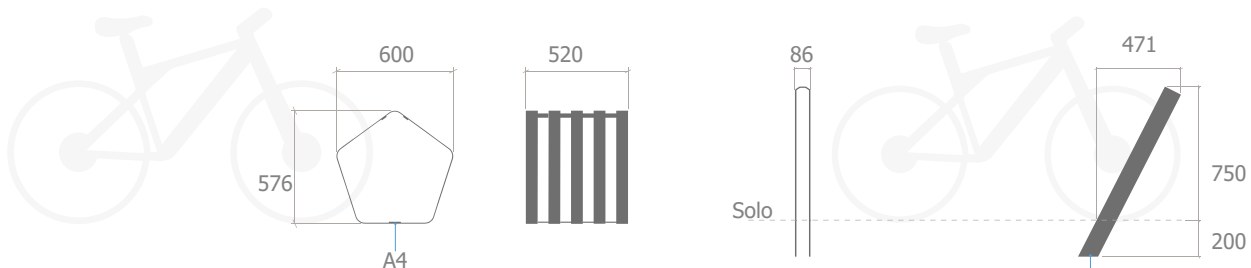
Ferro | Hierro | Acier | Steel (**S235JR**)

Galvanização | Galvanizado | Galvanisation | Galvanized

Cor | Color | Couleur | Color **Forja Y764**

Lotação 4 lugares | Capacidad 4 bicicletas | Capacité 4 places | Capacity 4 seats

Fixação | Fijación | Fixation | Fixing - **A4/A5**



Design de autor: Arq. João Madalena  
Ref: 46.5.4.1

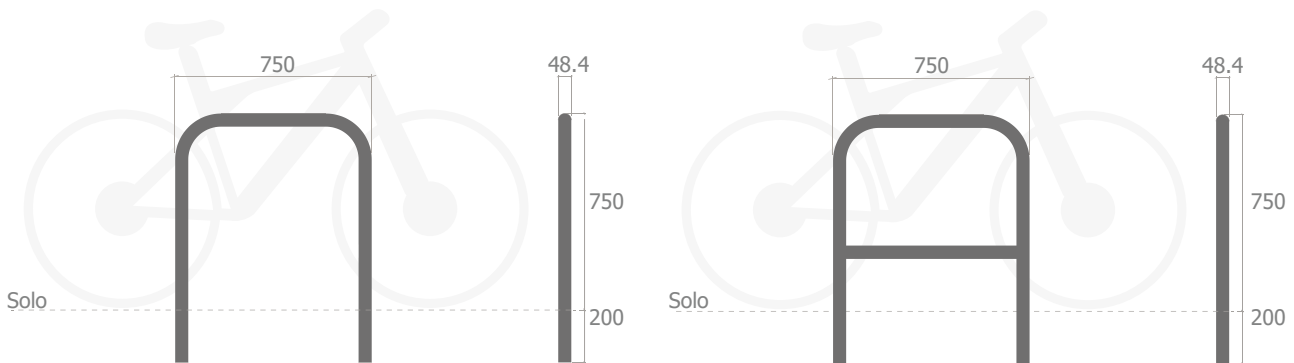
Ref: 36.5.1.1

## PARQUE BICICLETAS | APARCABICICLETAS | SUPPORT POUR VÉLO | BICYCLE STAND U

Ferro | Hierro | Acier | Steel (**S235JR**)

Cor | Color | Couleur | Color **Forja Y764**

Fixação | Fijación | Fixation | Fixing - **A5**



Ref: 45.5.1.1

Ref: 45.5.1.2

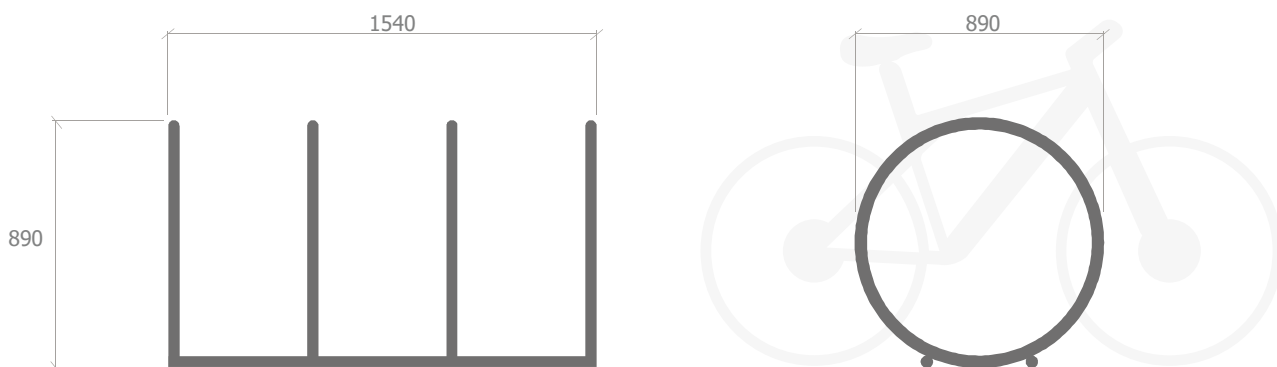
## PARQUE BICICLETAS | APARCABICICLETAS | SUPPORT POUR VÉLO | BICYCLE STAND MÚLTIPLO QUADRUS

**Inox 316 escovado** | Acero inoxidable 316 cepillado | Acier inoxydable 316 brossé | 316 Stainless Steel Brushed

Tubo | Tubo | Tube | Tube Ø **42.4x2 mm**

Chapa 2 mm espessura | Placa de 2 mm de espesor | Plaque de 2 mm d'épaisseur | 2 mm thick plate

Fixação | Fijación | Fixation | Fixing - **A2**



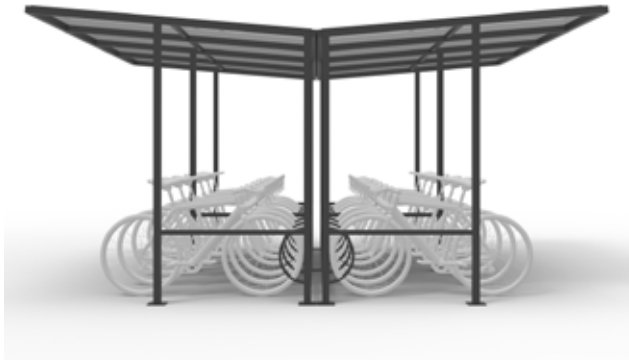
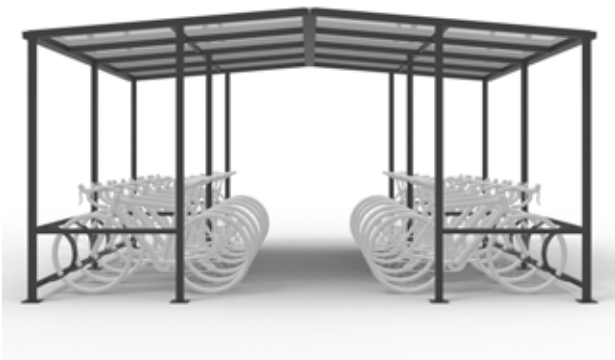
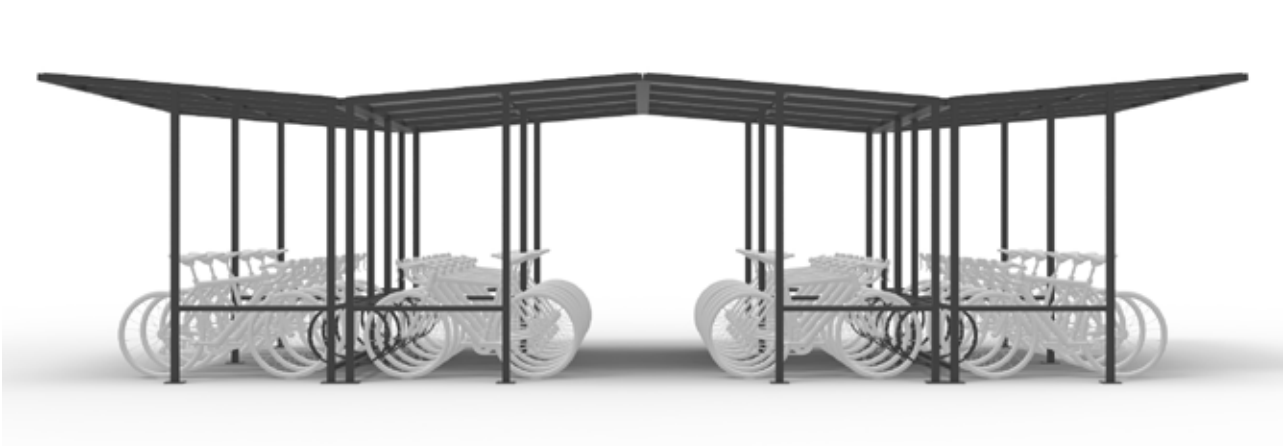
Ref: 25.5.4.1

**ABRIGO | MARQUESINAS | ABRIS À VÉLO | SHELTER BK**

Design Microcubo | Ref: 47.5.4.1



Ref: 45.5.5.1



## ABRIGO | MARQUESINAS | ABRIS À VÉLO | SHELTER BK

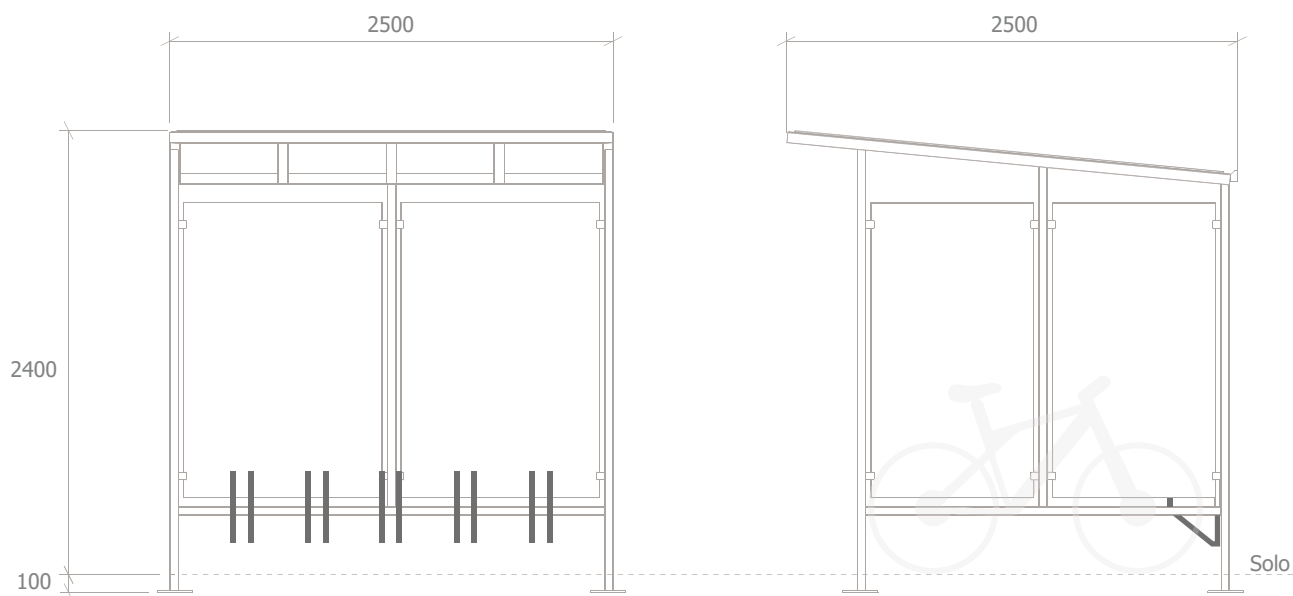
Inox 316 escovado | Acero inoxidable 316 cepillado | Acier inoxydable 316 brossé | 316 Stainless Steel Brushed

Tubo | Tubo | Tube | Tube **60x60x2 mm**

Vidro Laminado | Vidrio Laminado | Verre feuilleté | Laminated Glass **4+4 mm**

Polícarbonato alveolar | Polícarbonato alveolar | Polycarbonate alvéolaire | honeycomb polycarbonate **8 mm**

Fixação | Fijación | Fixation | Fixing - **A3**



Ref: 47.5.4.1

## ABRIGO | REFUGIO | SABRI | SHELTER BK

Ferro | Hierro | Acier | Steel (**S235JR**)

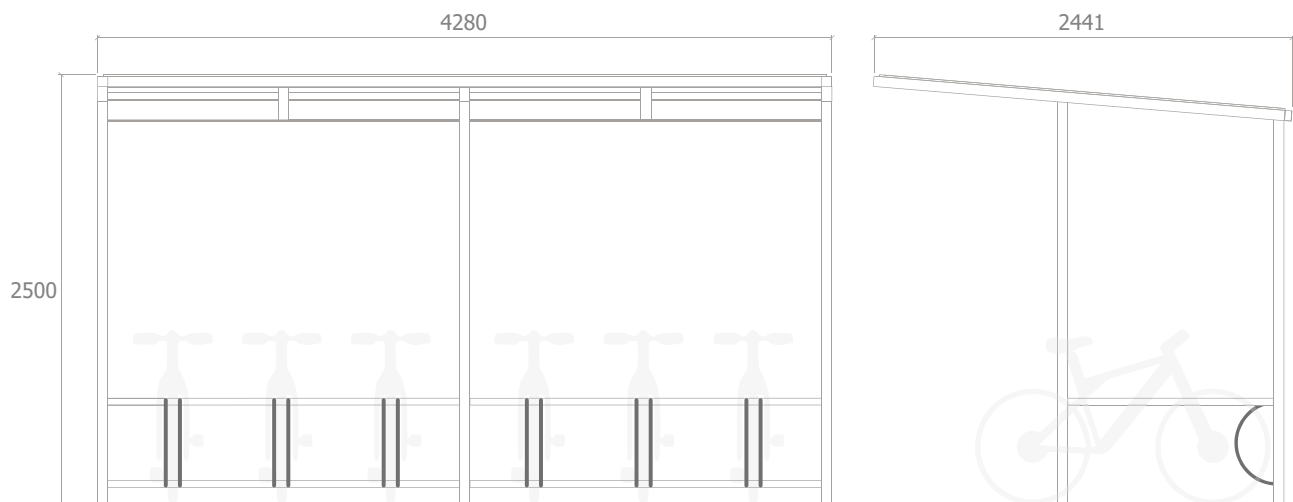
Tubo | Tubo | Tube | Tube **60x60x2 mm**

Polícarbonato alveolar | Polícarbonato alveolar | Polycarbonate alvéolaire | honeycomb polycarbonate **8 mm**

Cor | Color | Couleur | Color **Forja Y764**

Metalização | Metalización | Métallisation | Metallization **SA2 1.5**

Fixação | Fijación | Fixation | Fixing - **A3**



Ref: 45.5.5.1



**BEBEDOURO** | FUENTE | FONTAINES À BOIRE | DRINKING FOUNTAIN  
**TOWER 1**

Design Microcubo | Ref: 76.9.1.1



**BEBEDOURO** | FUENTE | FONTAINES À BOIRE | DRINKING FOUNTAIN  
**TOWER 2**

Design Microcubo | Ref: 76.9.1.4



**BEBEDOURO** | FUENTE | FONTAINES À BOIRE | DRINKING FOUNTAIN  
**RM3B1**

Design Arqº Rui Mendes | Ref: 73.9.1.1



**BEBEDOURO** | FUENTE | FONTAINES À BOIRE | DRINKING FOUNTAIN  
**PARQUE**

Design Microcubo | Ref: 3.9.1.1



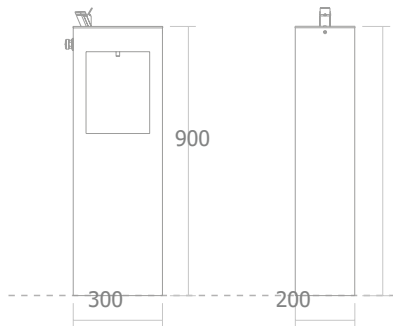
## BEBEDOURO|FUENTE|FONTAINES À BOIRE|DRINKING FOUNTAIN TOWER 1/TOWER 2

Ferro | Hierro | Acier | Steel **(S235JR)**

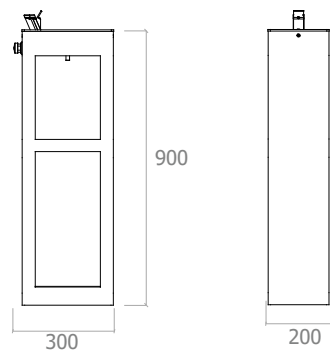
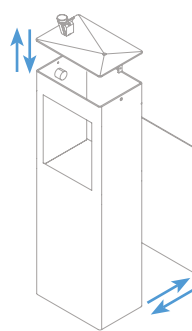
Metalização | Metalización | Métallisation | Metallization **SA2 1.5**

Cor | Color | Couleur | Color **Forja Y764**

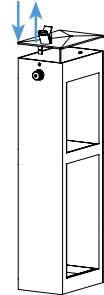
Fixação | Fijación | Fixation | Fixing - **A3**



Ref: 76.9.1.1



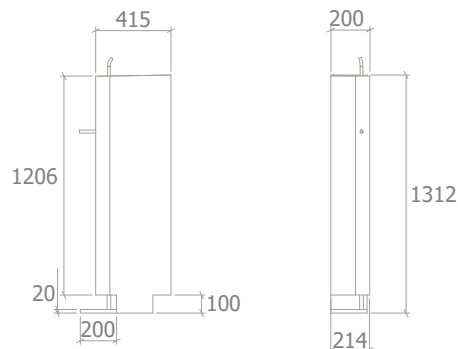
Ref: 76.9.1.4



## BEBEDOURO|FUENTE|FONTAINES À BOIRE|DRINKING FOUNTAIN RM3B1

Latão Escovado 2mm | Latón cepillado 2 mm | Laiton brossé 2 mm | Brushed Brass 2mm

Coluna em Pedra Lioz | Columna en piedra de lioz | Colonne en pierre de lioz | Column in lioz stone



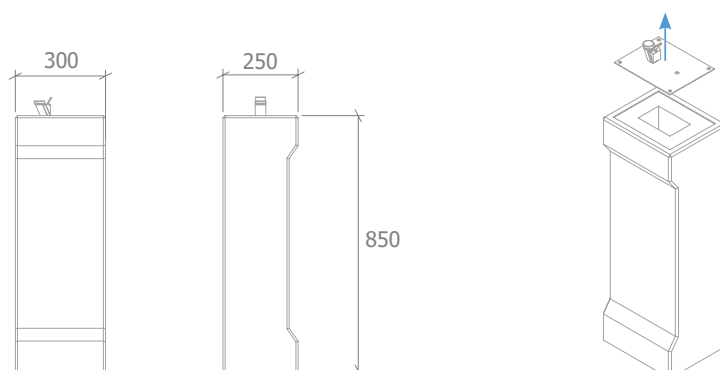
Design de autor: Arq. Rui Mendes  
Ref: 73.9.1.1

## BEBEDOURO|FUENTE|FONTAINES À BOIRE|DRINKING FOUNTAIN PARQUE

Betão | Hormigón | Béton | Concrete **c30/37** (Cor natural/branco | color natural/blanco | couleur naturelle/blanche | Natural/white colored)

Inox 316 escovado | Acero inoxidable 316 cepillado | Acier inoxydable 316 brossé | 316 Stainless Steel Brushed

Fixação | Fijación | Fixation | Fixing - **A2**



Ref: 3.9.1.1

**BEBEDOURO** | FUENTE | FONTAINES À BOIRE | DRINKING FOUNTAIN  
**UNIC**

Design Microcubo | Ref: 30.9.1.1



**BEBEDOURO** | FUENTE | FONTAINES À BOIRE | DRINKING FOUNTAIN  
**TUBUS**

Design Microcubo | Ref: 29.9.1.1



**BEBEDOURO** | FUENTE | FONTAINES À BOIRE | DRINKING FOUNTAIN  
**TUBUS**

Design Microcubo | Ref: 29.9.2.3



Ref: 29.9.2.1



## BEBEDOURO/FUENTE/FONTAINES À BOIRE/DRINKING FOUNTAIN UNIC

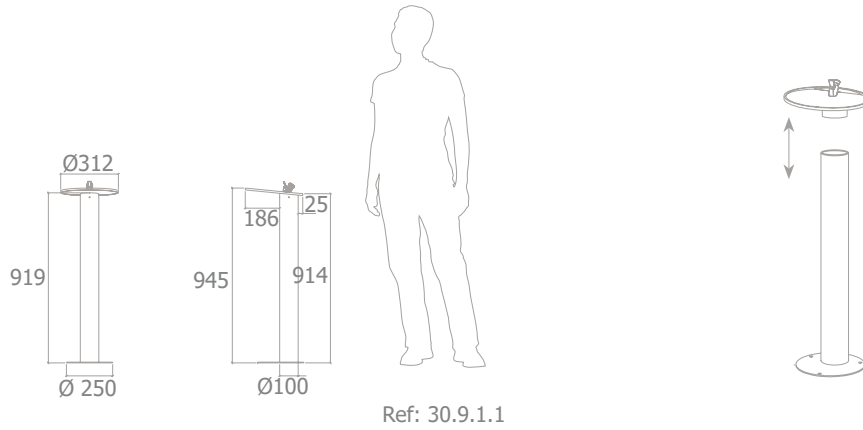
Ferro | Hierro | Acier | Steel (**S235JR**)

Metalização | Metalización | Métallisation | Metallization **SA2 1.5**

Cor | Color | Couleur | Color **Forja Y764**

Disponível em inox | Disponible en acero inoxidable | Disponible en acier inoxydable | Available in stainless steel

Fixação | Fijación | Fixation | Fixing - **A4**



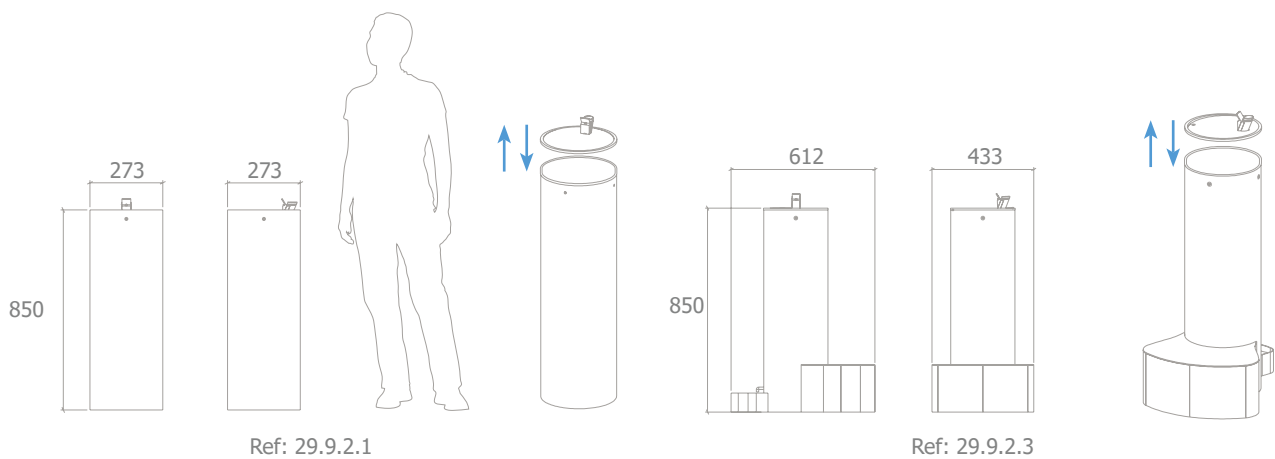
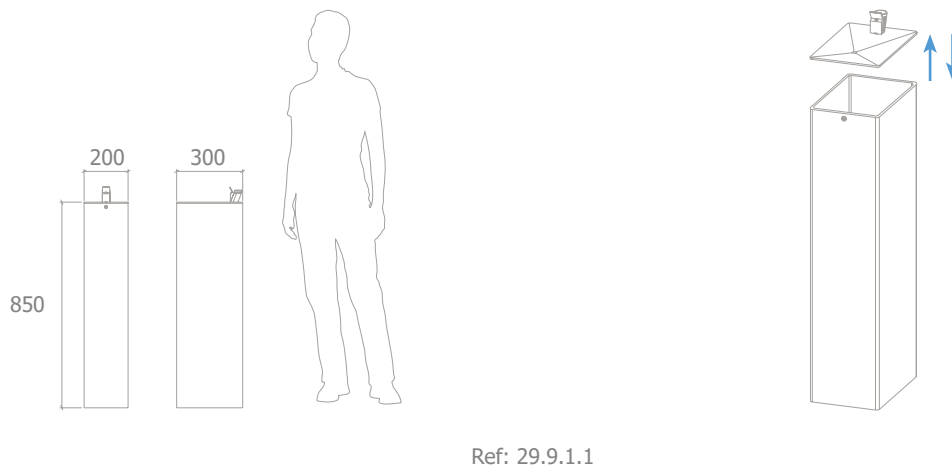
## BEBEDOURO/FUENTE/FONTAINES À BOIRE/DRINKING FOUNTAIN TUBUS

Ferro | Hierro | Acier | Steel (**S235JR**)

Metalização | Metalización | Métallisation | Metallization **SA2 1.5**

Cor | Color | Couleur | Color **Forja Y764**

Fixação | Fijación | Fixation | Fixing - **A3**



**LAVA PÉS** | LAVADO DE PIES | LAVER LES PIEDS | WASH FEET **BOLD**

Design Microcubo | Ref: 32.25.1.1



**BEBEDOURO** | FUENTE | FONTAINES À BOIRE | DRINKING FOUNTAIN **SOL**

Design Microcubo | Ref: 36.9.1.1



**BEBEDOURO** | FUENTE | FONTAINES À BOIRE | DRINKING FOUNTAIN **LIBRA**

Design Microcubo | Ref: 79.9.4



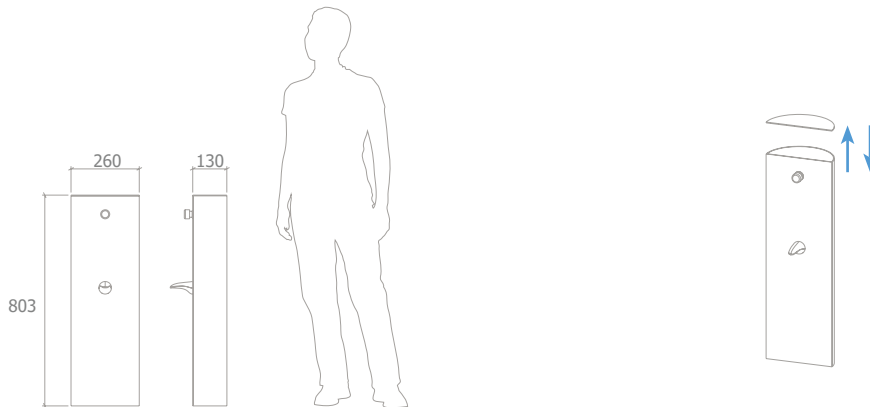
## LAVAS PÉS|LAVADO DE PIES|LAVER LES PIEDS|WASH FEET **BOLD**

Ferro | Hierro | Acier | Steel (**S235JR**)

Metalação | Metalización | Métallisation | Metallization **SA2 1.5**

Cor | Color | Couleur | Color **Forja Y764**

Fixação | Fijación | Fixation | Fixing - **A3**



Ref: 32.25.1.1

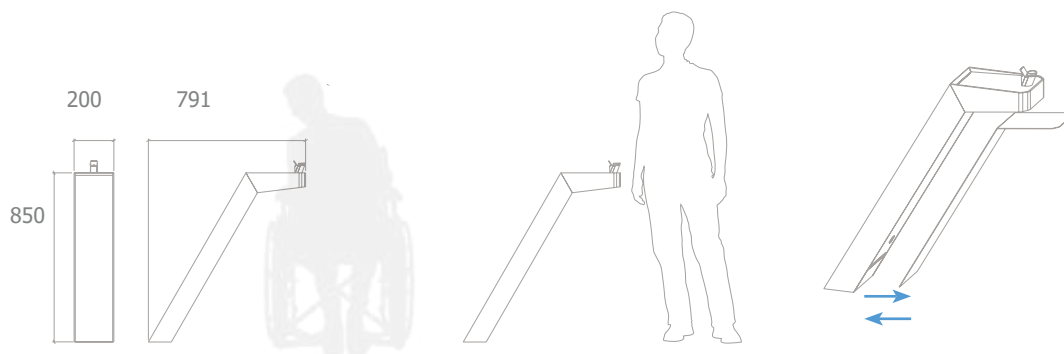
## BEBEDOURO|FUENTE|FONTAINES À BOIRE|DRINKING FOUNTAIN **SOL/LIBRA**

Ferro | Hierro | Acier | Steel (**S235JR**)

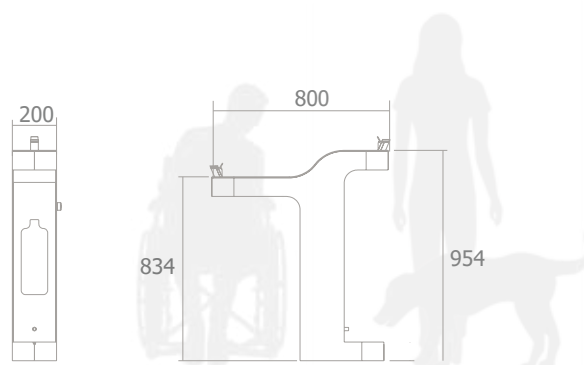
Metalação | Metalización | Métallisation | Metallization **SA2 1.5**

Pintura 2 componentes à cor | Pintura bicomponente en color | Peinture à 2 composants de couleur | 2-component paint in **Forja Y764**

Fixação | Fijación | Fixation | Fixing - **A2**



Ref: 36.9.1.1



Ref: 79.9.4

**FLOREIRA|MACETA|JARDINIÈRES|FLOWER POT ALTIS**

Design Microcubo | Ref: 70.10.1.1



**FLOREIRA|MACETA|JARDINIÈRES|FLOWER POT ADAPT**

Design Microcubo | Ref: 8.10.1.1



**FLOREIRA|MACETA|JARDINIÈRES|FLOWER POT PAINEL RETANGULAR**

Design Microcubo | Ref: 23.10.1.1



**FLOREIRA|MACETA|JARDINIÈRES|FLOWER POT SURF**

Design Microcubo | Ref: 7.10.1.1



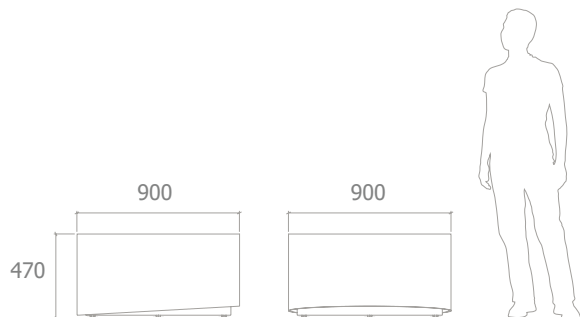
## FLOREIRA|MACETA|JARDINIÈRES|FLOWER POT ALTIS/ADAPT

Ferro | Hierro | Acier | Steel **(S235JR)**

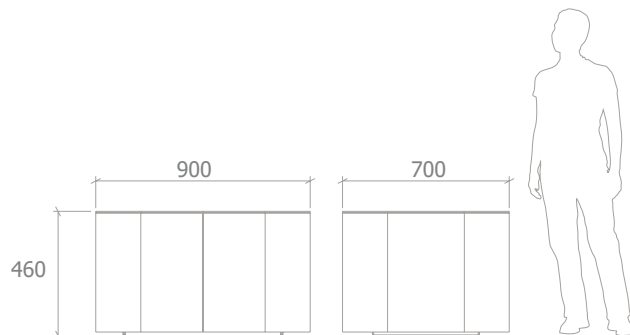
Metalização | Metalización | Métallisation | Metallization **SA2 1.5**

Cor | Color | Couleur | Color **Forja Y764**

Fixação | Fijación | Fixation | Fixing - **A1**



Ref: 70.10.1.1



Ref: 8.10.1.1

## FLOREIRA|MACETA|JARDINIÈRES|FLOWER POT PAINEL RETANGULAR

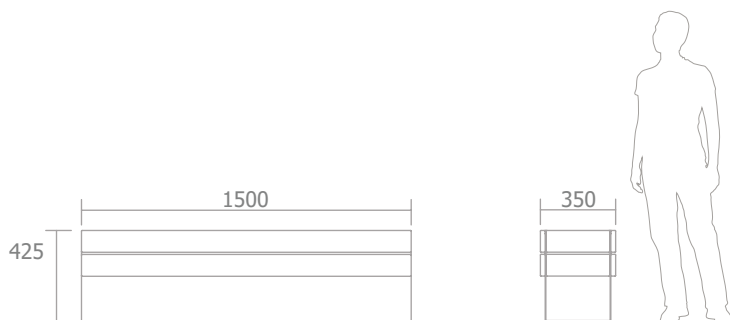
Ferro | Hierro | Acier | Steel **(S235JR)**

Metalização | Metalización | Métallisation | Metallization **SA2 1.5**

Cor | Color | Couleur | Color **Forja Y764**

Madeira | Madera | Bois | Wood **Kambala**

Fixação | Fijación | Fixation | Fixing - **A1**



Ref: 23.10.1.3

## FLOREIRA|MACETA|JARDINIÈRES|FLOWER POT SURF

Ferro | Hierro | Acier | Steel **(S235JR)**

Betão | Hormigón| Béton | Concrete **c30/37** (Cor natural/branco | color natural/blanco | couleur naturelle/blanche | Natural/white colored)

Metalização | Metalización | Métallisation | Metallization **SA2 1.5**

Cor | Color | Couleur | Color **Forja Y764**

Fixação | Fijación | Fixation | Fixing - **A3**

Disponível em inox | Disponible en acero inoxidable | Disponible en acier inoxydable | Available in stainless steel



Ref: 7.10.1.1



**FLOREIRA|MACETA|JARDINIÈRES|FLOWER POT PARQUE**

Design Microcubo | Ref: 3.10.1.1



**MW8 - FLOREIRA|MACETA|JARDINIÈRES|FLOWER POT METÁLICA**

Design de autor: Marta Sofia | Ref: 34.10.1.1



**FLOREIRA|MACETA|JARDINIÈRES|FLOWER POT SESI**

Design Microcubo | Ref: 63.10.1.1

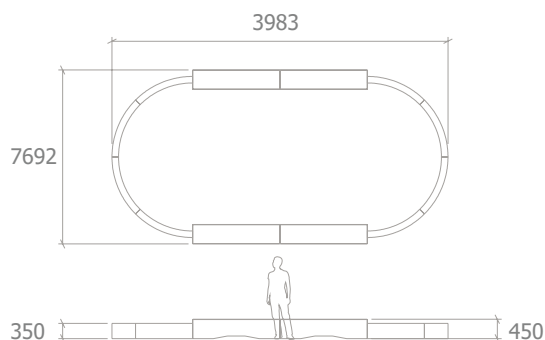


## FLOREIRA|MACETA|JARDINIÈRES|FLOWER POT PARQUE

Betão | Hormigón | Béton | Concrete **c30/37** (Cor natural/branco | color natural/blanco | couleur naturelle/blanche | Natural/white colored)

Ferro | Hierro | Acier | Steel **A400**

Fixação | Fijación | Fixation | Fixing - **A1**



Ref: 3.10.1.1

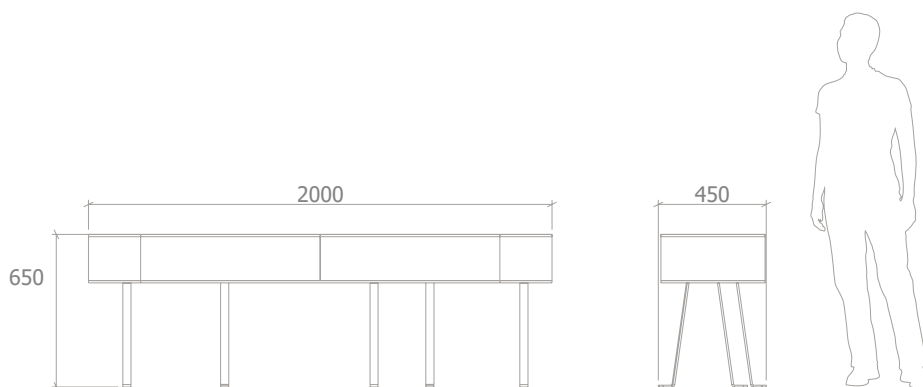
## MW8 - FLOREIRA|MACETA|JARDINIÈRES|FLOWER POT METÁLICA

Ferro | Hierro | Acier | Steel (**S235JR**)

Metalização | Metalización | Métallisation | Metallization **SA2 1.5**

Cor | Color | Couleur | Color **RAL 9010**

Fixação | Fijación | Fixation | Fixing - **A4** (Outras fixações sob consulta | Otras fijaciones bajo pedido | Autres fixations sur demande | Other attachments on request)



Design de autor: Marta Sofia | Ref: 34.10.1.1

## FLOREIRA|MACETA|JARDINIÈRES|FLOWER POT SESI

Betão | Hormigón | Béton | Concrete **c30/37** (Cor natural/branco | color natural/blanco | couleur naturelle/blanche | Natural/white colored)

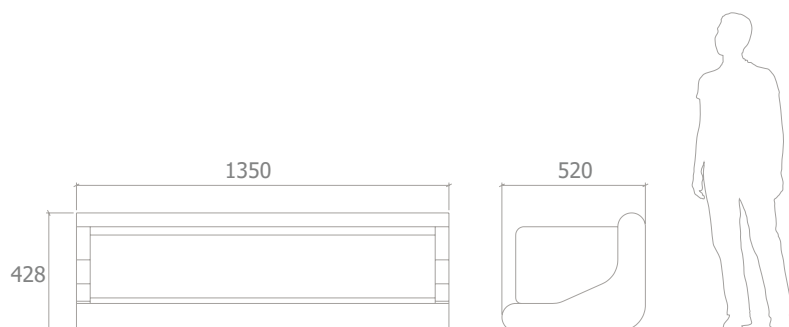
Ferro | Hierro | Acier | Steel (**S235JR**)

Galvanização | Galvanizado | Galvanisation | Galvanized

Cor | Color | Couleur | Color **Forja Y764**

Madeira | Madera | Bois | Wood **Kambala**

Fixação | Fijación | Fixation | Fixing - **A1**



Ref: 63.10.1.1

**FLOREIRA | MACETA | JARDINIÈRES | FLOWER POT ROBUS**

Design Microcubo | Ref: 22.10.1.1



Ref: 22.10.2.1



## FLOREIRA | MACETA | JARDINIÈRES | FLOWER POT ROBUS

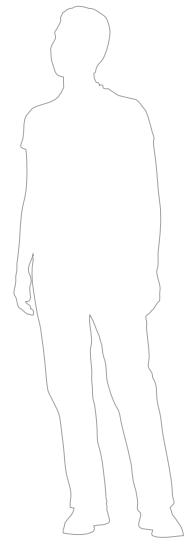
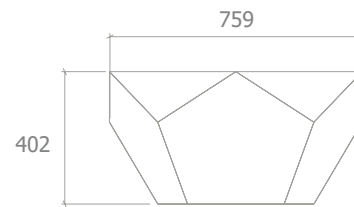
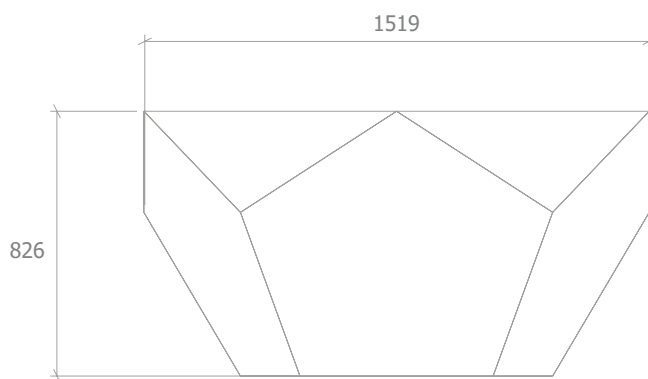
Ferro | Hierro | Acier | Steel (**S235JR**)

Metalação | Metalización | Métallisation | Metallization **SA2 1.5**

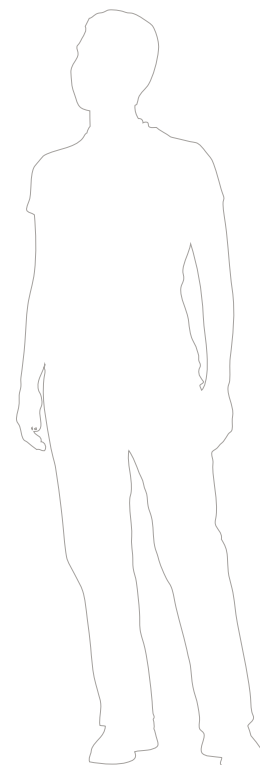
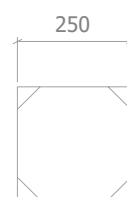
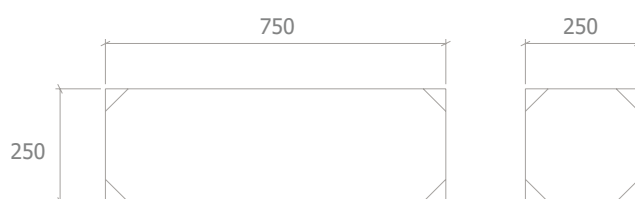
Cor | Color | Couleur | Color **Forja Y764**

Contém furação para vazamento de águas | Contiene perforaciones para filtraciones de agua | Contient un forage pour les fuites d'eau | Contains drilling for water leakage

Fixação | Fijación | Fixation | Fixing - **A1**



Ref: 22.10.1.1



Ref: 22.10.2.1

**FLOREIRA | MACETA | JARDINIÈRES | FLOWER POT  
C/ MADEIRA PAINEL**

Design Microcubo | Ref: 23.10.1.2



**FLOREIRA | MACETA | JARDINIÈRES | FLOWER POT  
SIMPLA**

Design Microcubo | Ref: 28.10.1.1



**FLOREIRA | MACETA | JARDINIÈRES | FLOWER POT  
TRIVAR**

Design de autor: Arq. Ambra Zotti | Arq. Miguel Carvalho  
Ref: 52.10.1.1



**FLOREIRA | MACETA | JARDINIÈRES | FLOWER POT  
SQUARE**

Design Microcubo | Ref: 2.10.1.1



## FLOREIRA|MACETA|JARDINIÈRES|FLOWER POT PAINEL/SIMPLA

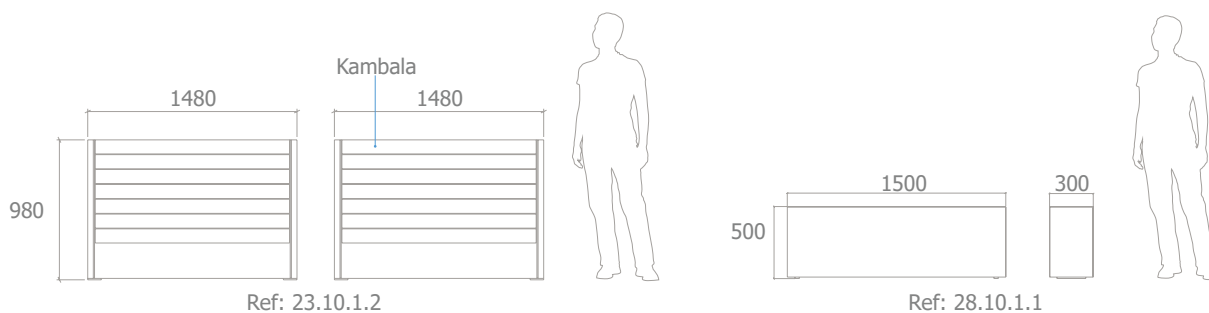
Ferro | Hierro | Acier | Steel **(S235JR)**

Metalização | Metalización | Métallisation | Metallization **SA2 1.5**

Cor | Color | Couleur | Color **Forja Y764**

Madeira | Madera | Bois | Wood **Kambala**

Fixação | Fijación | Fixation | Fixing - **A1**

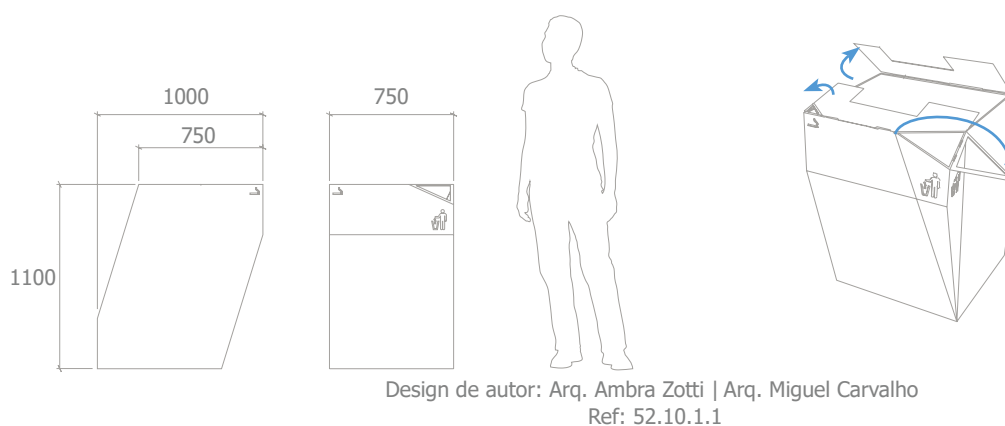


## FLOREIRA|MACETA|JARDINIÈRES|FLOWER POT TRIVAR

Aço corten | Acero corten | Acier Corten | Weathering steel

Fixação | Fijación | Fixation | Fixing - **A4**

Opção s/ cinzeiro e s/ papelera também disponível | Opción sin cenicero y papelera también disponible | Option sans cendrier et corbeille à papier également disponible | Option without ashtray and without wastepaper also available



## FLOREIRA|MACETA|JARDINIÈRES|FLOWER POT SQUARE

Ferro | Hierro | Acier | Steel **(S235JR)**

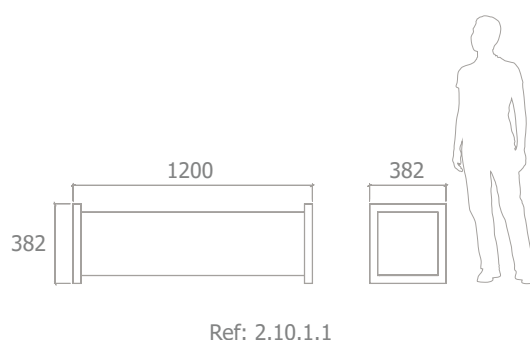
Cesto em chapa metálica | Cesta de chapa | Panier en tôle | Sheet metal basket

Metalização | Metalización | Métallisation | Metallization **SA2 1.5**

Cor | Color | Couleur | Color **Forja Y764**

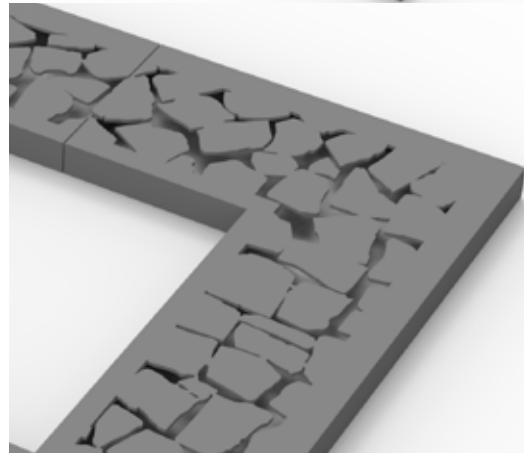
Madeira | Madera | Bois | Wood **Kambala**

Fixação | Fijación | Fixation | Fixing - **A1**



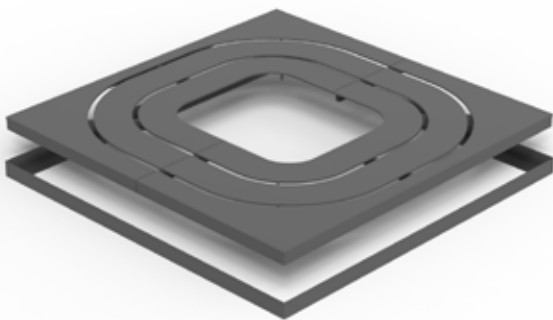
## GRELHAREJA PARA ÁRBOL|GRILLES|GRATE CALÇADA

Design de autor: Arq. Miguel Carvalho  
Ref: 68.7.1.1



## GRELHAREJA PARA ÁRBOL|GRILLES|GRATE ADAPT

Design Microcubo | Ref: Ref: 8.7.1.1+8.7.3.1



Ref: 8.7.2.1+8.7.4.1



## GRELHA|REJA PARA ÁRBOL|GRILLES|GRATE CALÇADA

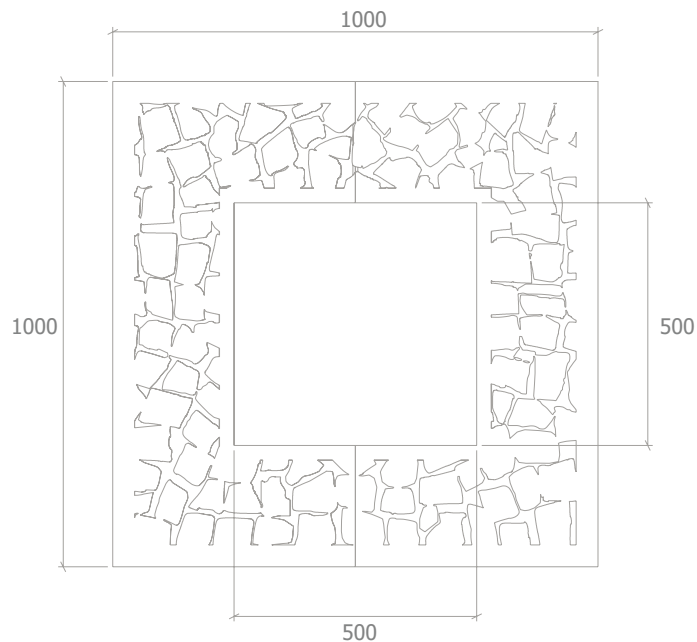
Ferro | Hierro | Acier | Steel (**S235JR**)

Galvanização | Galvanizado | Galvanisation | Galvanized

Cor | Color | Couleur | Color **Forja Y764**

Aro cantoneira | Marco de esquina | Cadre d'angle | Corner frame **45x45x5 mm**

Fixação | Fijación | Fixation | Fixing - **A2**



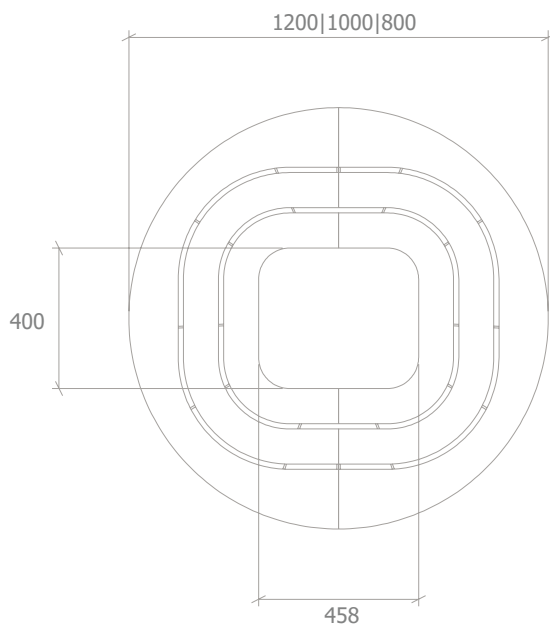
## GRELHA|REJA PARA ÁRBOL|GRILLES|GRATE ADAPT

Ferro | Hierro | Acier | Steel (**S235JR**)

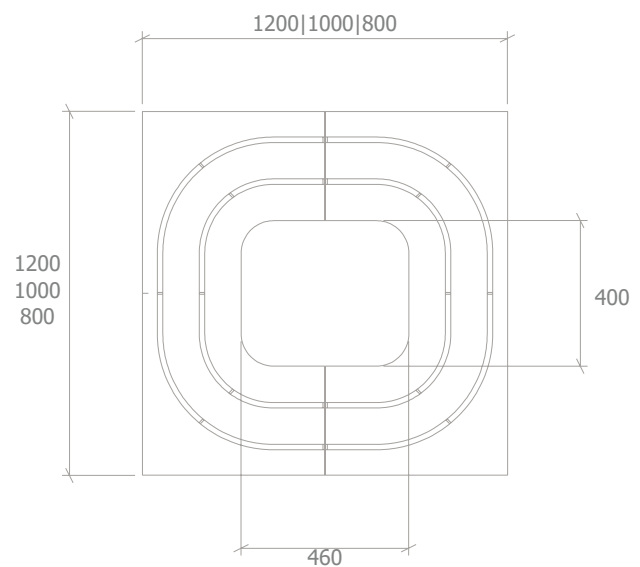
Galvanização | Galvanizado | Galvanisation | Galvanized

Cor | Color | Couleur | Color **Forja Y764**

Fixação | Fijación | Fixation | Fixing - **A2**



Ref: 8.7.2.1+8.7.4.1



Ref: 8.7.1.1+8.7.3.1



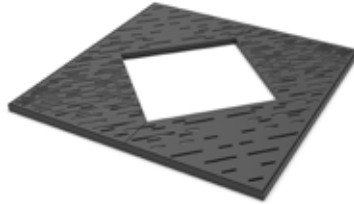
**GRELHA|REJA PARA ÁRBOL|GRILLES|GRATE CIRCULAR**

Design de autor: Arq. Miguel Carvalho  
Ref: 53.7.2.1+ 53.7.4.1



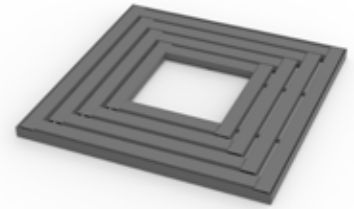
**GRELHA|REJA PARA ÁRBOL|GRILLES|GRATE LIGHT BEAM**

Design de autor: Arq. Miguel Carvalho  
Ref: 54.7.1.1+54.7.3.1



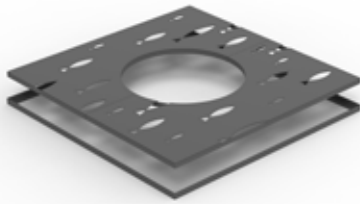
**GRELHA|REJA PARA ÁRBOL|GRILLES|GRATE UPN**

Design Microcubo | Ref: 8.7.2.1+8.7.4.1

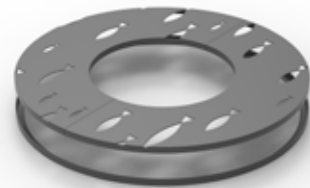


**GRELHA|REJA PARA ÁRBOL|GRILLES|GRATE PESCI**

Design de autor: Arq. Amélia Santos | Arq. Miguel Carvalho  
Ref: 24.7.1.2 + 24.7.3.1

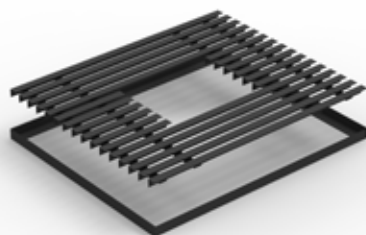


Design de autor: Arq. Amélia Santos | Arq. Miguel Carvalho  
Ref: 24.7.2.1 + 24.7.4.1



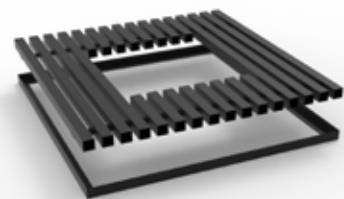
**GRELHA|REJA PARA ÁRBOL|GRILLES|GRATE SIMPLA**

Design Microcubo | Ref: 28.7.1.1+28.7.3.1



**GRELHA|REJA PARA ÁRBOL|GRILLES|GRATE SQUARE**

Design Microcubo | Ref: 2.7.1.1+2.7.3.1



# GRELHA/REJA PARA ÁRVOL|GRILLES|GRATE CIRCULAR/LIGHT BEAM/UPN/SIMPLA/SQUARE

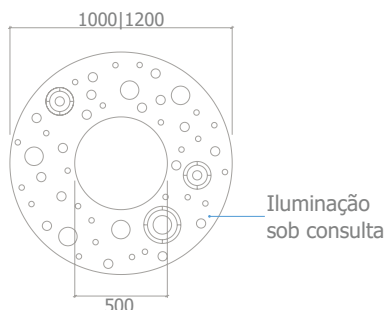
Ferro | Hierro | Acier | Steel (S235JR)

Galvanização | Galvanizado | Galvanisation | Galvanized

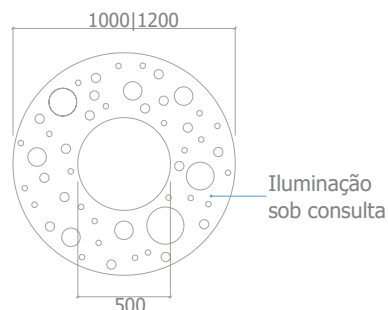
Cor | Color | Couleur | Color Forja Y764

Fixação | Fijación | Fixation | Fixing - A2

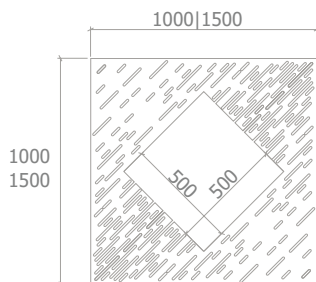
Iluminação ambiente sob consulta | Iluminación ambiente bajo pedido | Eclairage d'ambiance sur demande | Mood lighting on request



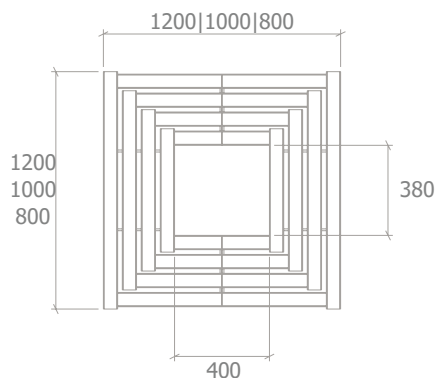
Design de autor: Arq. Miguel Carvalho  
Ref: 53.7.2.1+53.7.4.1



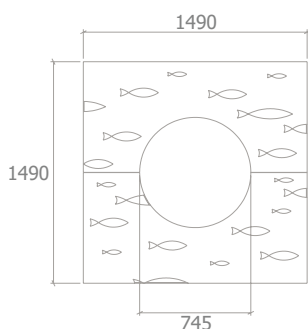
Design de autor: Arq. Miguel Carvalho  
Ref: 53.7.2.2+53.7.4.1



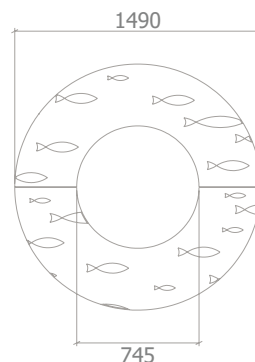
Design de autor: Arq. Miguel Carvalho  
Ref: 54.7.1.1+54.7.3.1



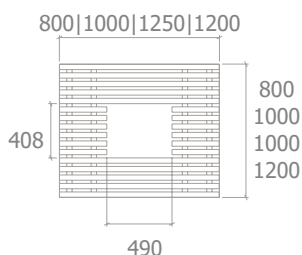
Ref: 8.7.2.1+8.7.4.1



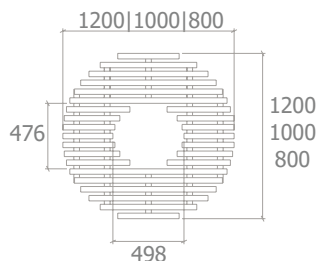
Design de autor: Arq. Amélia Santos | Arq. Miguel Carvalho  
Ref: 24.7.1.2 + 24.7.3.1



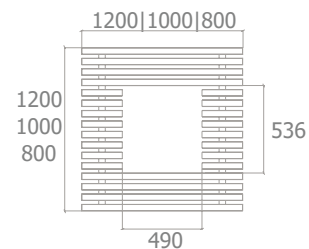
Design de autor: Arq. Amélia Santos | Arq. Miguel Carvalho  
Ref: 24.7.2.1 + 24.7.4.1



Ref: 28.7.1.1+28.7.3.1



Ref: 28.7.2.1+28.7.4.1



Ref: 2.7.1.1+2.7.3.1

## SINALÉTICA | SEÑALIZACIÓN | SIGNALISATION | SIGNAGE SOL

Design Microcubo | Ref: 36.14.1.1 + 36.14.1.2



Design Microcubo | Ref: 36.14.6.1



## SINALÉTICA | SEÑALIZACIÓN | SIGNALISATION | SIGNAGE DIRECCIONAL SOL

Design Microcubo | Ref: 36.14.7.1 + 36.14.7.2



## MESA | TABLA | PUPITRE | TABLE INFORMATIVA T

Design de autor: Arq. Amélia Santos | Arq. Miguel Carvalho  
Ref: 35.14.6.1



## SINALÉTICA | SEÑALIZACIÓN | SIGNALISATION | SIGNAGE T

Design de autor: Arq. Amélia Santos | Arq. Miguel Carvalho  
Ref: 35.14.1.1



Design de autor: Arq. Amélia Santos | Arq. Miguel Carvalho  
Ref: 35.14.5.1



## SINALÉTICA | SEÑALIZACIÓN | SIGNALISATION | SIGNAGE INFORMATIVA SOL / DIRECIONAL SOL

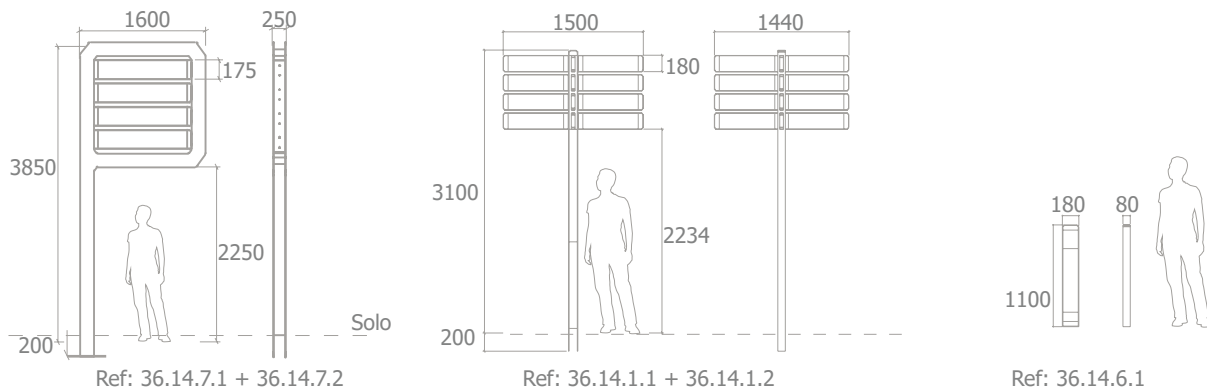
Ferro | Hierro | Acier | Steel **(S235JR)**

Metalação | Metalización | Métallisation | Metallization **SA2 1.5**

Cor | Color | Couleur | Color **RAL 7016**

Alumínio | Aluminio | Aluminium | Aluminum

Fixação | Fijación | Fixation | Fixing - **A4**



## MESA | TABLA | PUPITRE | TABLE INFORMATIVA T

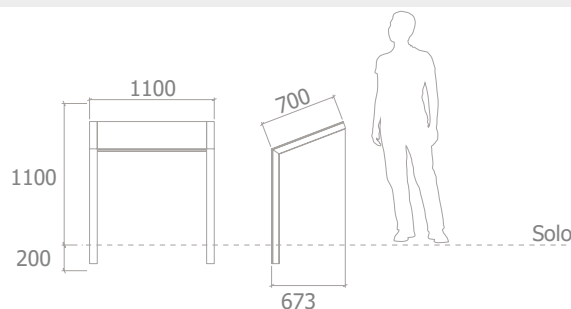
Ferro | Hierro | Acier | Steel **(S235JR)**

Metalação | Metalización | Métallisation | Metallization **SA2 1.5**

Cor | Color | Couleur | Color **Forja Y764**

Resina fenólica | Resina fenolica | Résine phénolique | Phenolic resin

Fixação | Fijación | Fixation | Fixing - **A5** (Outras fixações sob consulta | Otras fijaciones bajo pedido | Autres fixations sur demande | Other attachments on request)



Design de autor: Arq. Amélia Santos | Arq. Miguel Carvalho  
Ref: 35.14.6.1

## SINALÉTICA | SEÑALIZACIÓN | SIGNALISATION | SIGNAGE T

Ferro | Hierro | Acier | Steel **(S235JR)**

Metalação | Metalización | Métallisation | Metallization **SA2 1.5**

Cor | Color | Couleur | Color **RAL 7016**

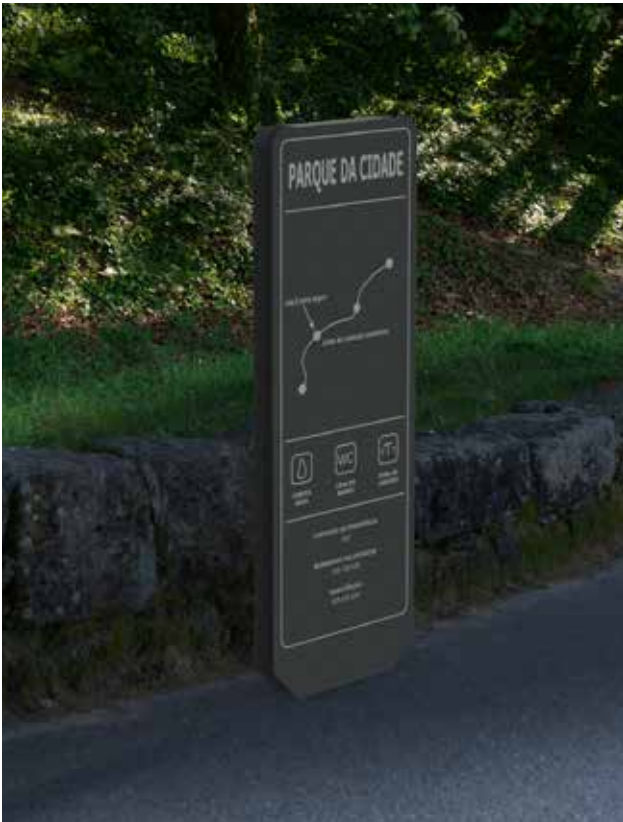
Alumínio | Aluminio | Aluminium | Aluminum

Fixação | Fijación | Fixation | Fixing - **A3/A5**



## TOTEM ROBUS

Design Microcubo | Ref: 22.14.4.1



## TOTEM SOL

Design Microcubo | Ref: 36.14.4.1



## TOTEM T

Design de autor: Arq. Amélia Santos | Arq. Miguel Carvalho  
Ref: 35.14.4.1



## TOTEM ONE

Design Microcubo | Ref: 31.14.4.1



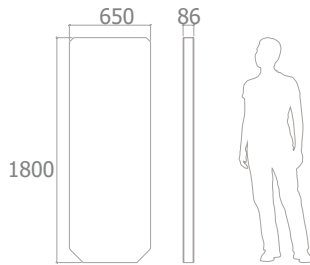
## TOTEM ROBUS/SOL

Ferro | Hierro | Acier | Steel (**S235JR**)

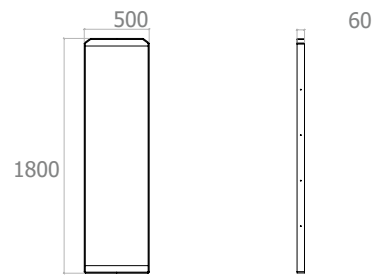
Metalação | Metalización | Métallisation | Metallization **SA2 1.5**

Cor | Color | Couleur | Color **Forja Y764**

Fixação | Fijación | Fixation | Fixing - **A5** (Outras fixações sob consulta | Otras fijaciones bajo pedido | Autres fixations sur demande | Other attachments on request)



Ref: 22.14.4.1



Ref: 36.14.4.1

## TOTEM T

Ferro | Hierro | Acier | Steel (**S235JR**)

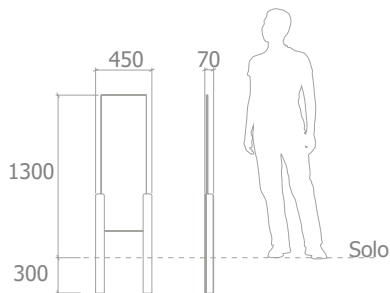
Metalação | Metalización | Métallisation | Metallization **SA2 1.5**

Cor | Color | Couleur | Color **Forja Y764**

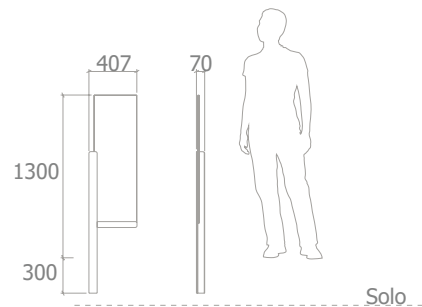
Vidro Temperado | Vidrio templado | Verre trempé | Tempered glass

Vinil transparente com laminação fosca | Vinilo transparente con laminación mate | Vynile transparent avec pelliculage mat | Clear vinyl with matte lamination

Fixação | Fijación | Fixation | Fixing - **A5** (Outras fixações sob consulta | Otras fijaciones bajo pedido | Autres fixations sur demande | Other attachments on request)



Design de autor: Arq. Amélia Santos | Arq. Miguel Carvalho  
Ref: 35.14.4.1



Design de autor: Arq. Amélia Santos | Arq. Miguel Carvalho  
Ref: 35.14.5.1

## TOTEM ONE

Ferro | Hierro | Acier | Steel (**S235JR**)

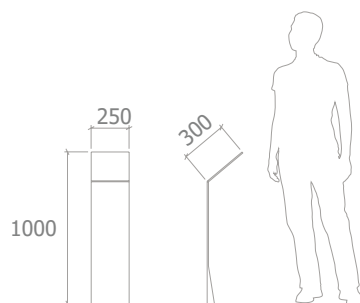
Metalação | Metalización | Métallisation | Metallization **SA2 1.5**

Cor | Color | Couleur | Color **RAL 7016**

Vidro Temperado | Vidrio templado | Verre trempé | Tempered glass

Vinil autocolante | Vinilo autoadhesivo | Vynile autocollant | Self-adhesive vinyl

Fixação | Fijación | Fixation | Fixing - **A5**



Ref: 31.14.4.1

**MUPI SOL**

Design Microcubo | Ref: 36.15.2.2



## MUPI SOL

Ferro | Hierro | Acier | Steel (**S235JR**)

Vidro Temperado 6mm | Vidrio templado 6mm | Verre trempé 6mm | Tempered glass **6mm**

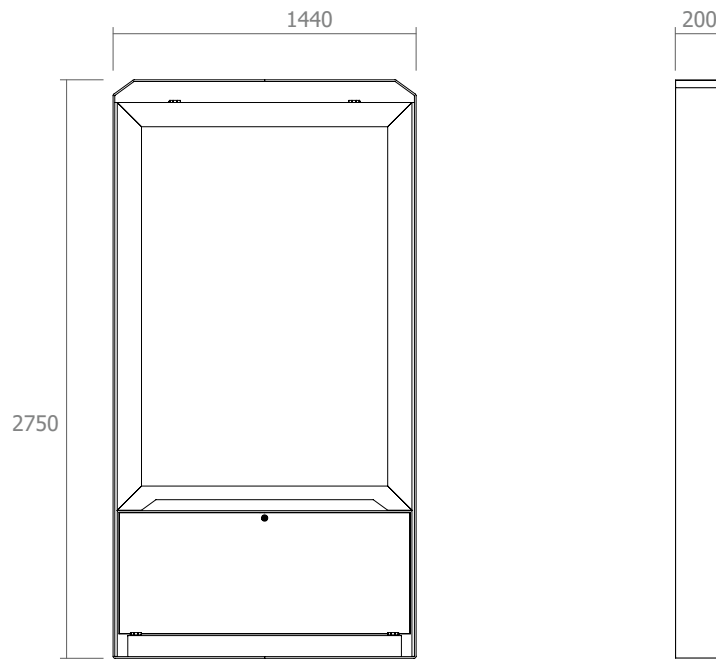
Cor | Color | Couleur | Color **Forja Y764**

Calhas deslizantes | Canales deslizantes | Gouttières coulissantes | Sliding gutters

Amortecedores | Amortiguadores | Amortisseurs | Shock absorbers

Iluminação Interior disponível | Iluminación interior disponible | Éclairage intérieur disponible | Interior lighting available

Fixação | Fijación | Fixation | Fixing - **A5**



Ref: 36.15.2.2



**ILUMINAÇÃO** | ILUMINACIÓN | ILLUMINATIONS | LIGHTING **URBAN IRON**

Design de autor: Arq. Joana Saraiva | Ref: 59.24.1.1



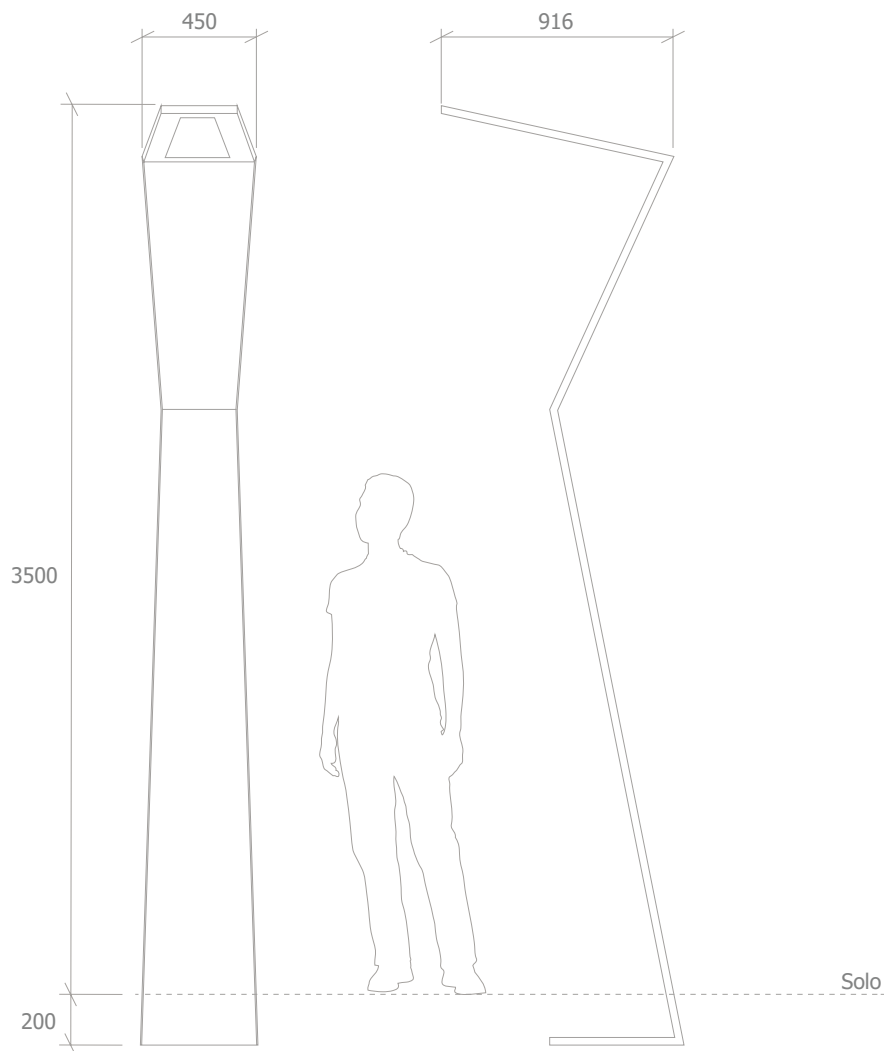
# ILUMINAÇÃO | LUMINACIÓN | ILLUMINATIONS | LIGHTING URBAN IRON

Ferro | Hierro | Acier | Steel (S235JR)

Metalação | Metalización | Métallisation | Metallization SA2 1.5

Cor | Color | Couleur | Color Forja Y764

Fixação | Fijación | Fixation | Fixing - A3



Design de autor: Arq. Joana Saraiva | Ref: 59.24.1.1

# PÉRGOLA SQUARE

Design Microcubo | Ref: 2.13.1.1



## PÉRGOLA SQUARE

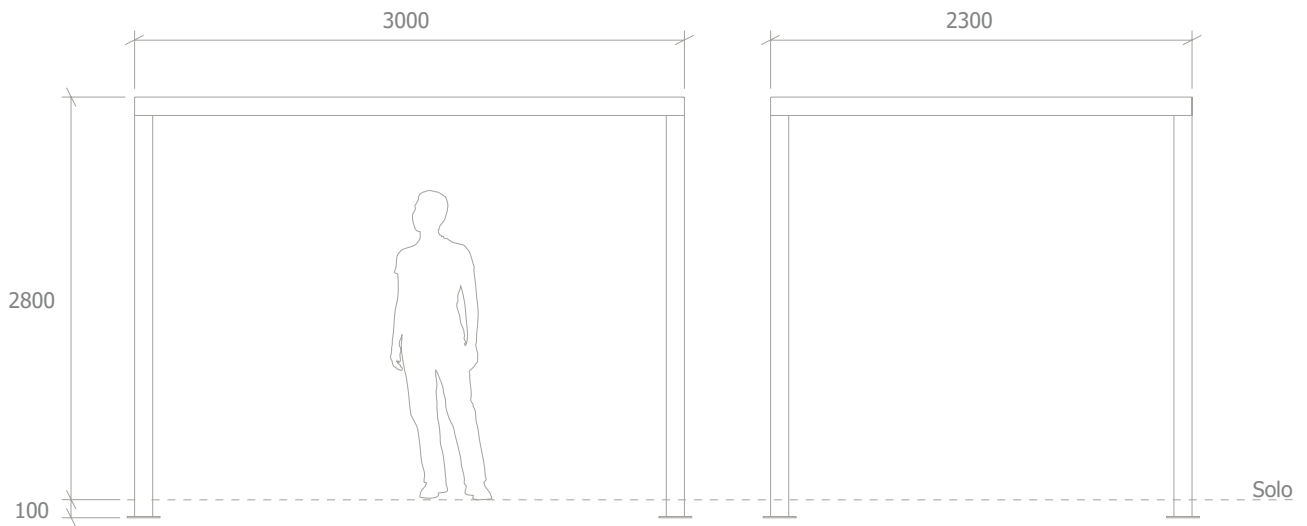
Ferro | Hierro | Acier | Steel (**S235JR**)

Tubo galvanizado | Tube galvanisé | Galvanized tube

Cor | Color | Couleur | Color **Forja Y764**

Madeira Casquinha Vermelha | Madera de pino rojo | Bois de coquille rouge | Red Shell Wood

Fixação | Fijación | Fixation | Fixing - **A3**



Ref: 2.13.1.1

# PÉRGOLA S-LINE

Design de autor: Arq. Ricardo Nascimento | Ref: 81.13.1.1



# PÉRGOLA S-LINE

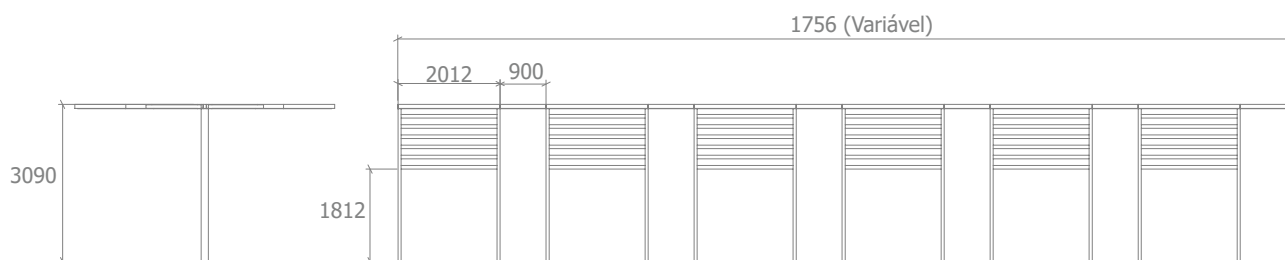
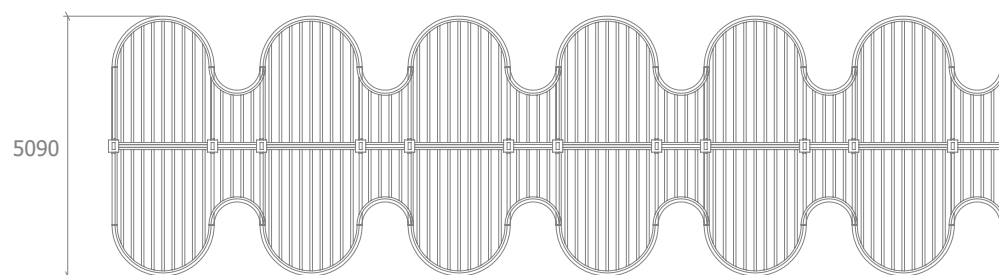
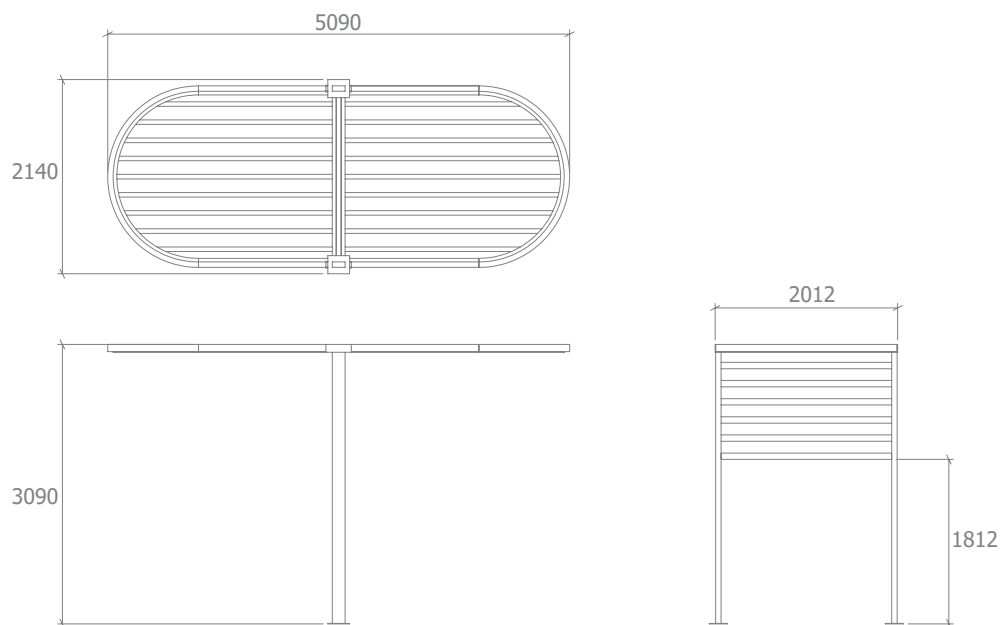
Ferro | Hierro | Acier | Steel (**S235JR**)

Tubo galvanizado | Tube galvanisé | Galvanized tube

Cor | Color | Couleur | Color **Forja Y764**

Madeira Casquinha Vermelha | Madera de pino rojo | Bois de coquille rouge | Red Shell Wood

Fixação | Fijación | Fixation | Fixing - **A3**



**ABRIGO|MARQUESINA|ABRIS|SHELTER ADAPT**

Design Microcubo | Ref: 8.8.4.1



**ABRIGO|MARQUESINA|ABRIS|SHELTER SQUARE (VIROC, TETO VERDE E PAINÉIS FOTOVOLTAICOS)**

Design Microcubo | Ref: 2.8.9.1



## ABRIGO | MARQUESINA | ABRIS | SHELTER ADAPT

Ferro | Hierro | Acier | Steel **(S235JR)**

Cor | Color | Couleur | Color **Forja Y764**

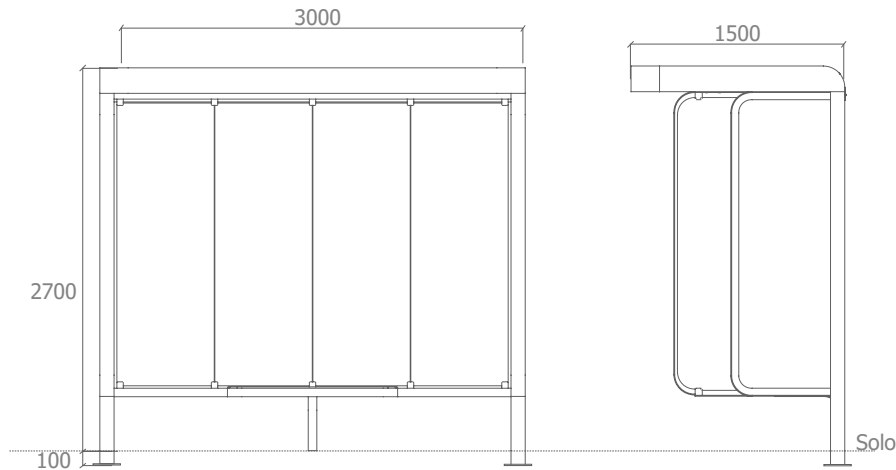
Metalização | Metalización | Métallisation | Metallization **SA2 1.5**

Cobertura em policarbonato | Cubierta de policarbonato | Couverture en polycarbonate | Polycarbonate cover

Traseira e lateral vidro temperado | Cristal templado trasero y lateral | Verre trempé arrière et latéral | Back and side tempered glass

Banco em madeira | Banco de madera | Banc en bois | Wooden bench **Kambala**

Fixação | Fijación | Fixation | Fixing - **A3**



Ref: 8.8.4.1

## ABRIGO | MARQUESINA | ABRIS | SHELTER SQUARE (VIROC, TETO VERDE E PAINÉIS FOTOVOLTAICOS)

Ferro | Hierro | Acier | Steel **(S235JR)**

Cor | Color | Couleur | Color **Forja Y764**

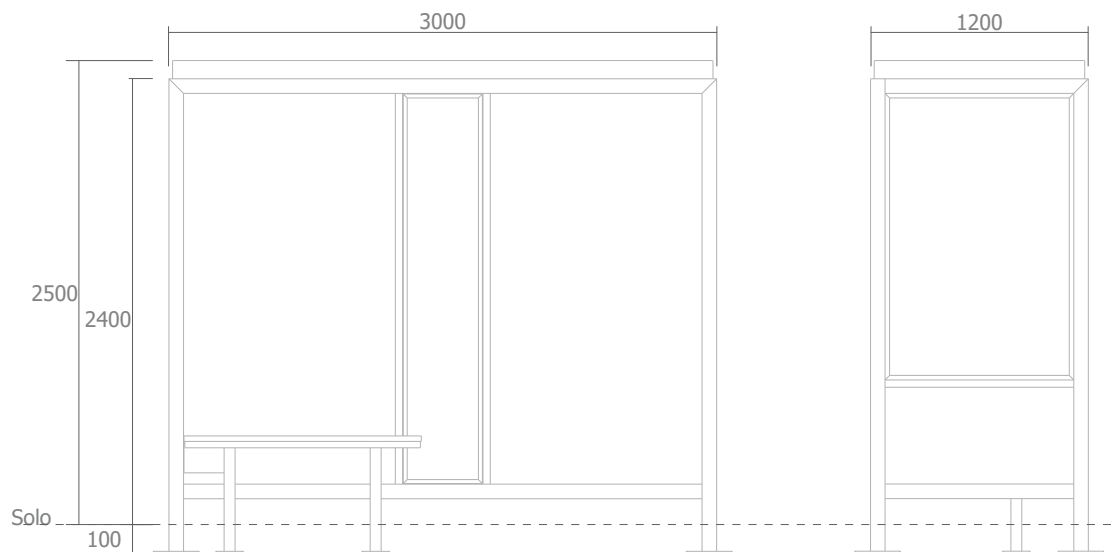
Cobertura em painel sandwich | Cubierta de panel sándwich | Couverture en panneau sandwich | Sandwich panel cover

Viroc

Madeira | Madera | Bois | Wood **Kambala**

Teto Verde com Painéis Fotovoltaicos | Techo Verde con Paneles Fotovoltaicos | Toit vert avec panneaux photovoltaïques | Green Roof with Photovoltaic Panels

Fixação | Fijación | Fixation | Fixing - **A3**



Ref: 2.8.9.1



**ABRIGO|MARQUESINA|ABRIS|SHELTER SIMPLA**

Design Microcubo | Ref: 28.8.2.1+28.8.4.1



Ref: 28.8.2.1+28.8.4.1+28.8.5.1



**ABRIGO|MARQUESINA|ABRIS|SHELTER SQUARE - VIDRO**

Design Microcubo | Ref: 2.8.2.1+2.8.4.1



Ref: 2.8.2.3



## ABRIGO | MARQUESINA | ABRIS | SHELTER SIMPLA

Ferro | Hierro | Acier | Steel (S235JR)

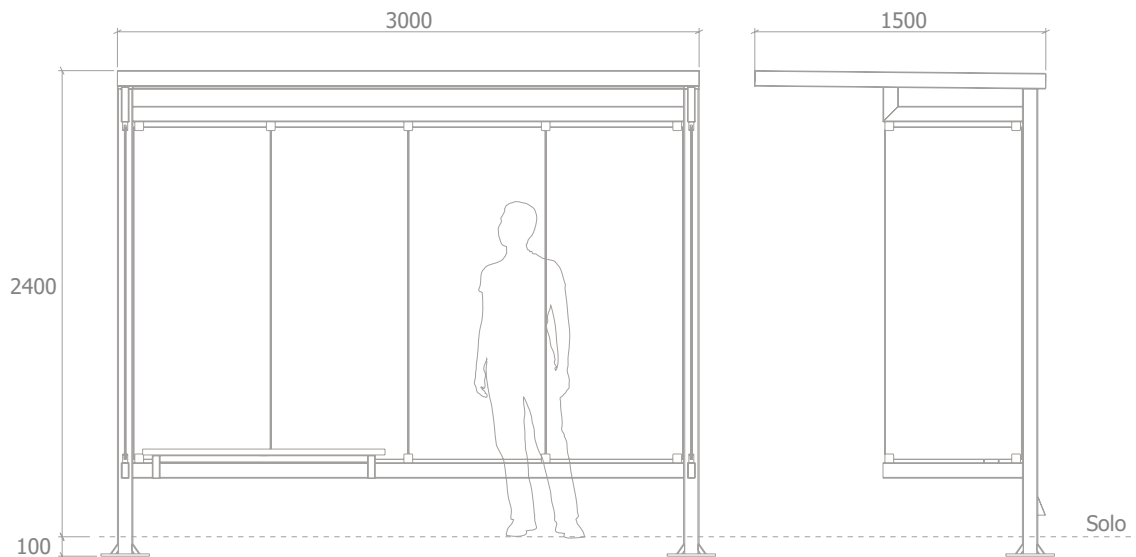
Cor | Color | Couleur | Color Forja Y764

Cobertura em painel sandwich | Cubierta de panel sándwich | Couverture en panneau sandwich | Sandwich panel cover

Vidro Temperado | Vidrio templado | Verre trempé | Tempered glass

Banco em madeira | Banco de madera | Banc en bois | Wooden bench Kambala

Fixação | Fijación | Fixation | Fixing - A3



Ref: 28.8.2.1+28.8.4.1

## ABRIGO | MARQUESINA | ABRIS | SHELTER SQUARE

Ferro | Hierro | Acier | Steel (S235JR)

Cor | Color | Couleur | Color Forja Y764

Cobertura em vidro laminado | Cubierta de vidrio laminado | Couverture en verre feuilleté | Laminated glass cover

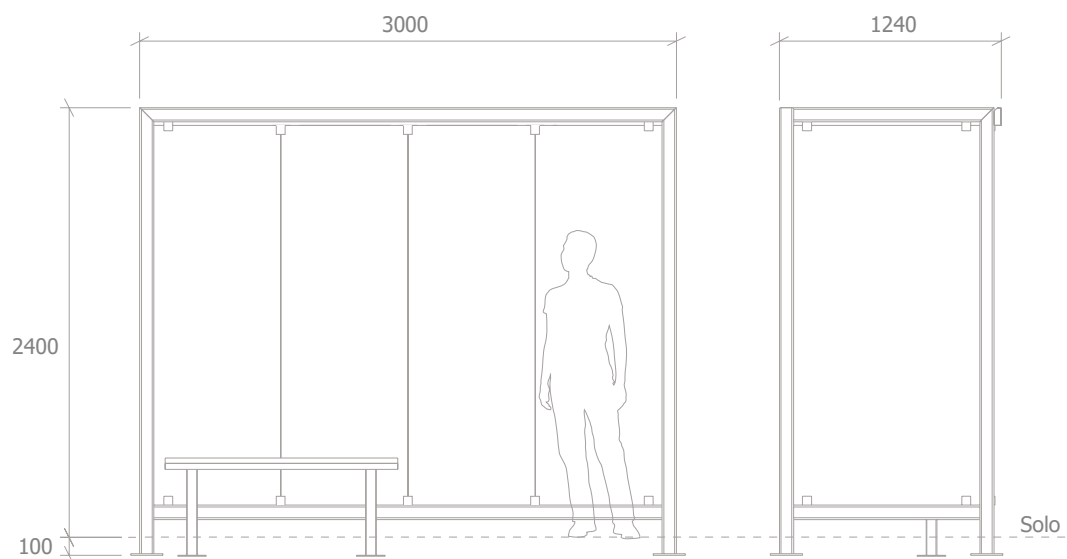
Cobertura em painel sandwich | Cubierta de panel sándwich | Couverture en panneau sandwich | Sandwich panel cover

Vidro Temperado | Vidrio templado | Verre trempé | Tempered glass

Viroc 10 mm

Madeira | Madera | Bois | Wood Kambala

Fixação | Fijación | Fixation | Fixing - A3



Ref: 2.8.2.1+2.8.4.1

**ABRIGO|MARQUESINA|ABRIS|SHELTER SOL**

Design Microcubo | Ref: 36.8.2.1+36.8.4.1



**ABRIGO|MARQUESINA|ABRIS|SHELTER TUBUS**

Design Microcubo | Ref: 29.8.2.1



## ABRIGO | MARQUESINA | ABRIS | SHELTER SOL

Ferro | Hierro | Acier | Steel **(S235JR)**

Estrutura principal e cobertura em IPE

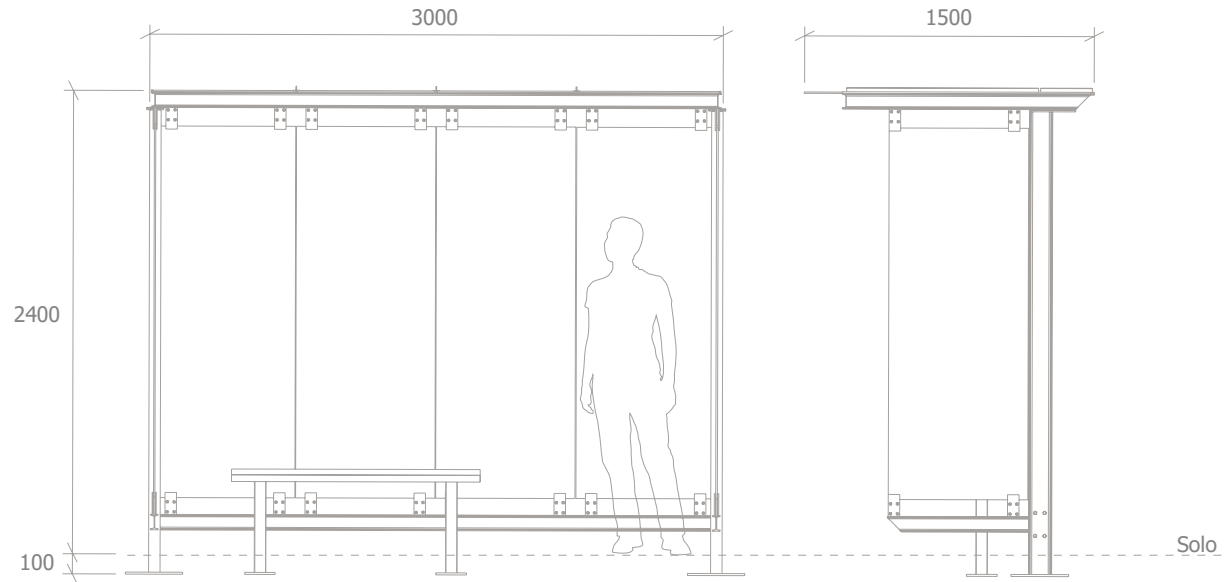
Metalização | Metalización | Métallisation | Metallization **SA2 1.5**

Cor | Color | Couleur | Color **Forja Y764**

Cobertura em vidro laminado e temperado

Madeira | Madera | Bois | Wood **Kambala**

Fixação | Fijación | Fixation | Fixing - **A3**



Ref: 36.8.2.1+36.8.4.1

## ABRIGO | MARQUESINA | ABRIS | SHELTER TUBUS

Ferro | Hierro | Acier | Steel **(S235JR)**

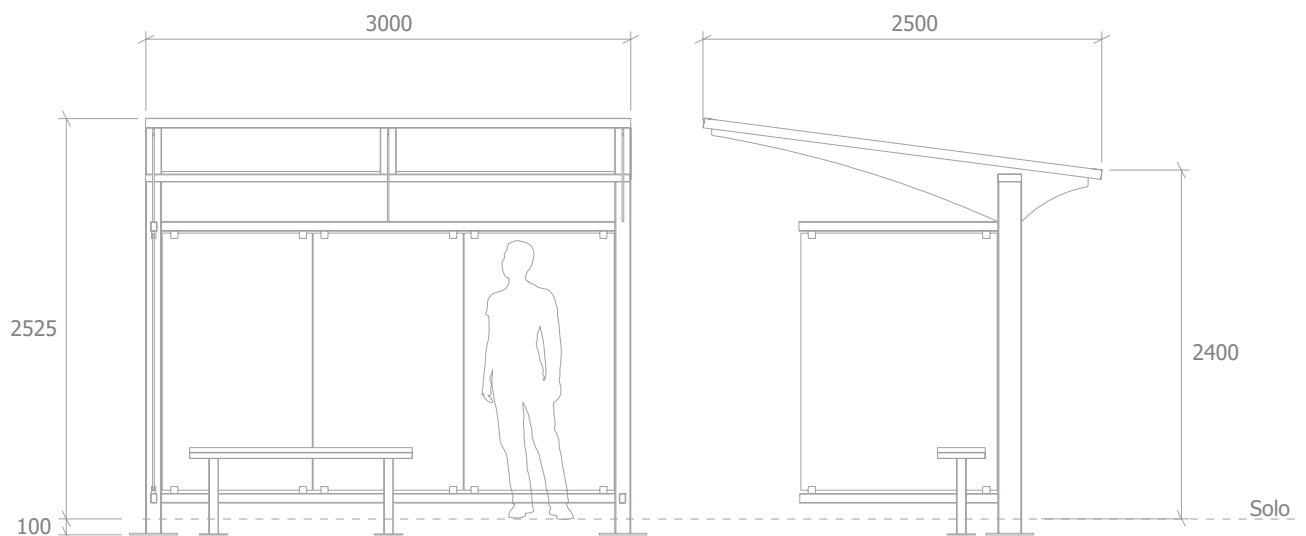
Metalização | Metalización | Métallisation | Metallization **SA2 1.5**

Cor | Color | Couleur | Color **Forja Y764**

Cobertura em policarbonato e vidro temperado | Cubierta de policarbonato, traseira y Lado de vidro templado | Couvercle, dos et côté en verre trempé | Polycarbonate cover and tempered glass side

Madeira | Madera | Bois | Wood **Kambala**

Fixação | Fijación | Fixation | Fixing - **A3**



Ref: 29.8.2.1

# BIKESTOP - CARREGAMENTO E-BIKES

Design de autor: Arq. Vasco Poças | Ref: 74.8.8.1



## BIKESTOP - CARREGAMENTO E-BIKES

Ferro | Hierro | Acier | Steel (**S235JR**)

Poles de Carregamento | Postes de carga | Poteaux de chargement | Loading Poles

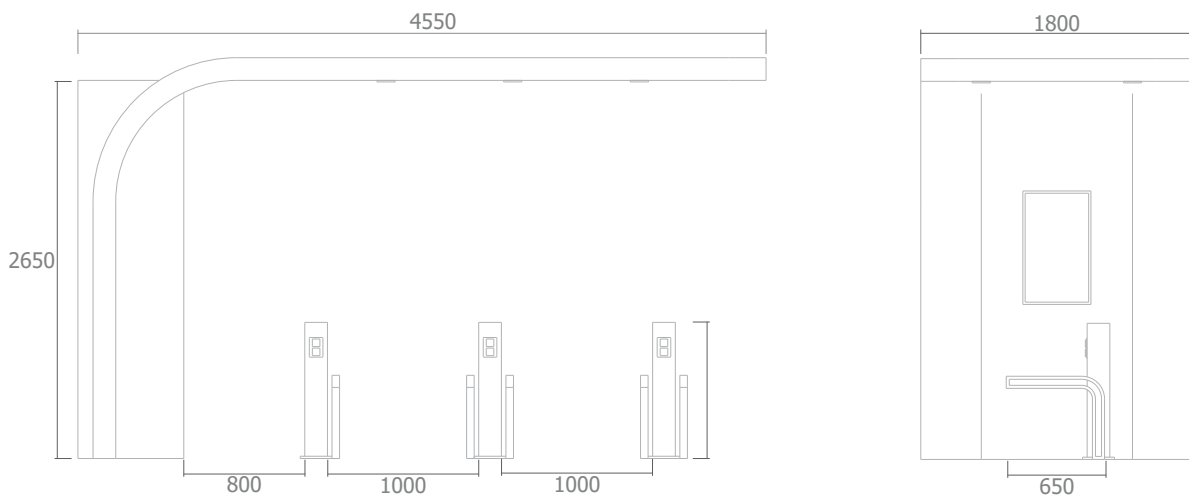
Ecrã Digital Tátil | Pantalla táctil digital | Écran tactile numérique | Digital Touch Screen

Iluminação LED

Sistema Híbrido - Rede Pública/Painéis Fotovoltaicos

Opção: trab. de const. civil | Opción: toda la obra civil | Option: travaux de génie civil | Option: all civil works

Fixação | Fijación | Fixation | Fixing - **A3**



Design de autor: Arq . Vasco Poças | Ref: 74.8.8.1

## QUIOSQUE | KIOSCO | KIOSQUE | KIOSK MOD

Design Microcubo | Ref: 39.21.1.1



## QUIOSQUE | KIOSCO | KIOSQUE | KIOSK PAINEL 3 PORTADAS

Design Microcubo | Ref: 23.21.5.1



## QUIOSQUE|KIOSCO|KIOSQUE|KIOSK MOD

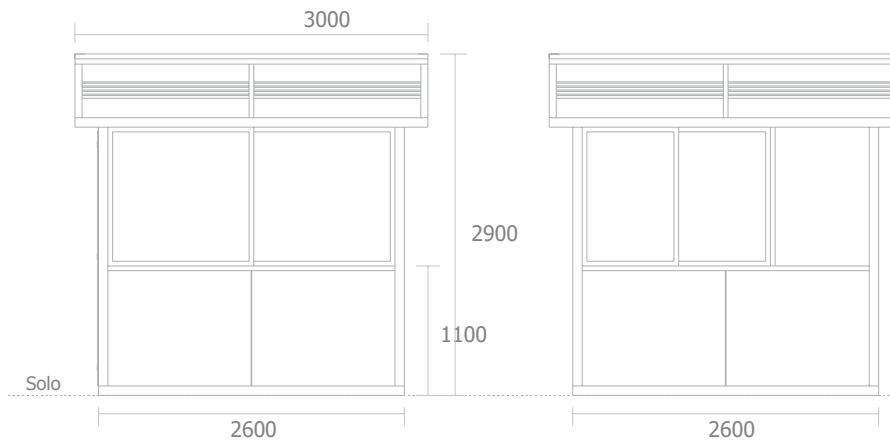
Ferro | Hierro | Acier | Steel (**S235JR**)

Rev. ext.resina fenólica

Porta e janela com aro em alumínio

Rev. int. painel sandwich | Revestimiento int. de panel sándwich | Revêtement int. du panneau sandwich | Sandwich panel int. coating

Fixação | Fijación | Fixation | Fixing - **A1**



Ref: 39.21.1.1

## QUIOSQUE|KIOSCO|KIOSQUE|KIOSK PAINEL 3 PORTADAS

Ferro | Hierro | Acier | Steel (**S235JR**)

Rev. compacto fenolico | Revestimiento compacto fenólico | Revêtement compact phénolique | Phenolic compact coating

Portada elevatória com aro em alumínio | Puerta levadiza con marco de aluminio | Porte relevable avec cadre en aluminium | Lifting door with aluminum frame

Rev. int./sup. painel sandwich | Revestimiento int./sup. de panel sándwich | Revêtement int./sup. du panneau sandwich | Sandwich panel int./top coating

Fixação | Fijación | Fixation | Fixing - **A1**

Opção: trab. de const. civil | Opción: toda la obra civil | Option: travaux de génie civil | Option: all civil works



Ref: 23.21.5.1

Chapas de ventilação configuráveis | Placas de ventilación configurables | Plaques de ventilation configurables | Configurable ventilation plates

Config.1



Config.2



Config.3



Config.4



Config.5



Config.6



Outras cores e/ou dimensões disponíveis sob consulta | Otros colores y/o dimensiones disponibles bajo pedido | Autres couleurs et/ou dimensions disponibles sur demande | Other colors and/or sizes are available on request



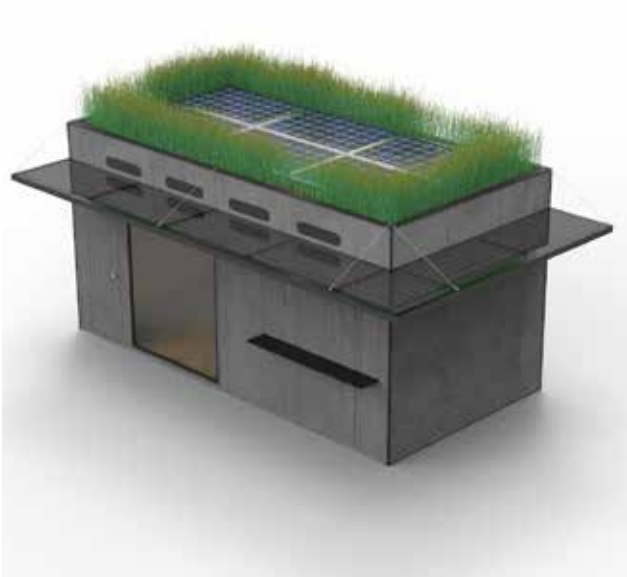
**QUIOSQUE | KIOSCO | KIOSQUE | KIOSK PAINEL MERCHANDISING**

Design Microcubo | Ref: 75.21.1.1



**QUIOSQUE | KIOSCO | KIOSQUE | KIOSK PAINEL**

Design Microcubo | Ref: 23.21.4.1



## QUIOSQUE|KIOSCO|KIOSQUE|KIOSK PAINEL MERCHANDISING

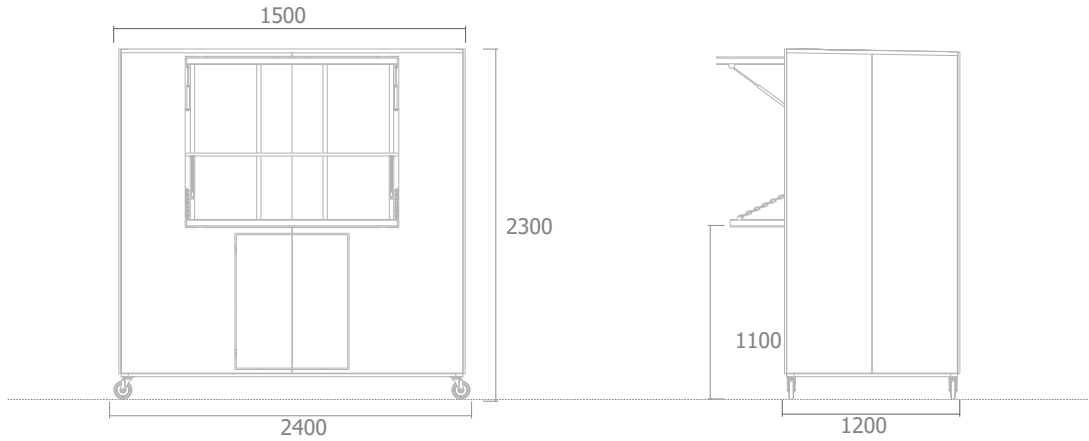
Ferro | Hierro | Acier | Steel (**S235JR**)

Rev. resina fenólica | Revestimiento de resina fenólica | Revêtement en résine phénolique | Phenolic resin coating

Portada elevatória | Puerta elevable | Porte relevable | Lifting door

Rev. superior painel sandwich | Revestimiento superior de panel sándwich | Revêtement supérieur du panneau sandwich | Sandwich panel top coating

Opção: inst. elétrica e trab. de const. civil | Opción: instalación eléctrica, y toda la obra civil | Option: installation électrique, et tous travaux de génie civil | Option: electrical installation, and all civil works



Ref: 75.21.1.1

## QUIOSQUE|KIOSCO|KIOSQUE|KIOSK PAINEL

Ferro | Hierro | Acier | Steel (**S235JR**)

Rev. viroc (disp. em compacto fenólico)

Rev. interior OSB

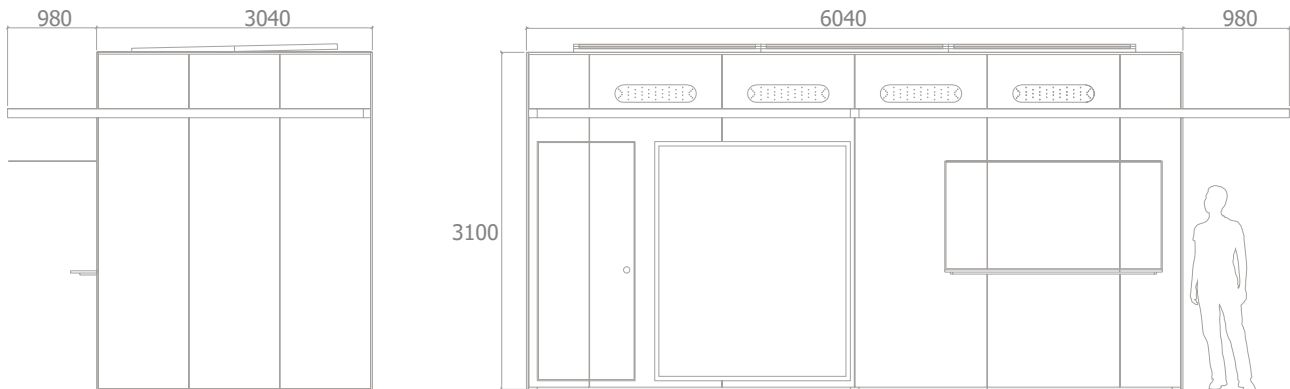
Rev. superior painel sandwich

Chapas de ventilação configuráveis

Painéis solares fotovoltaicos (opcional)

Fixação | Fijación | Fixation | Fixing - **A1**

Opção: inst. elétrica e trab. de const. civil | Opción: instalación eléctrica, y toda la obra civil | Option: installation électrique, et tous travaux de génie civil | Option: electrical installation, and all civil works



Ref: 23.21.4.1

Chapas de ventilação configuráveis | Placas de ventilación configurables | Plaques de ventilation configurables | Configurable ventilation plates

Config.1



Config.2



Config.3



Config.4



Config.5



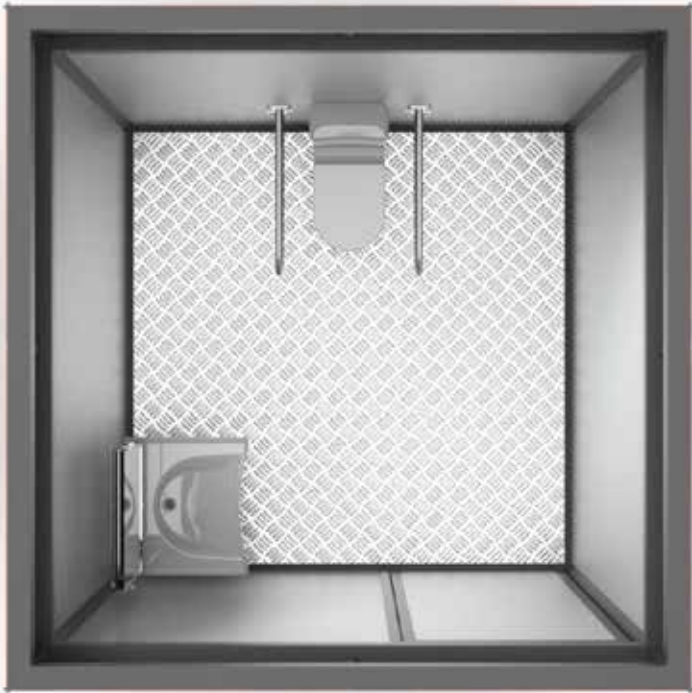
Config.6



Outras cores e/ou dimensões disponíveis sob consulta | Otros colores y/o dimensiones disponibles bajo pedido | Autres couleurs et/ou dimensions disponibles sur demande | Other colors and/or sizes are available on request

**WC PAINEL**

Design Microcubo | Ref: 23.22.1.2



## WC PAINEL

Ferro | Hierro | Acier | Steel (**S235JR**)

Rev. compacto fenólico | Revestimiento de resina fenólica | Revêtement en résine phénolique | Phenolic resin coating

Porta de entrada com aro em alumínio | Puerta de entrada con marco de aluminio | Porte d'entrée avec cadre en aluminium | Entrance door with aluminum frame

Rev. do solo chapa anti-derrapante | Plaque de revêtement de sol antidérapante | Non-slip floor-cladding panels

Rev. interior compacto fenólico | Revestimiento de resina fenólica | Revêtement en résine phénolique | Phenolic resin coating

Teto Falso/Cobertura em painel sandwich | Falso techo en panel sándwich | Faux plafond en panneau sandwich | False ceiling in sandwich panel

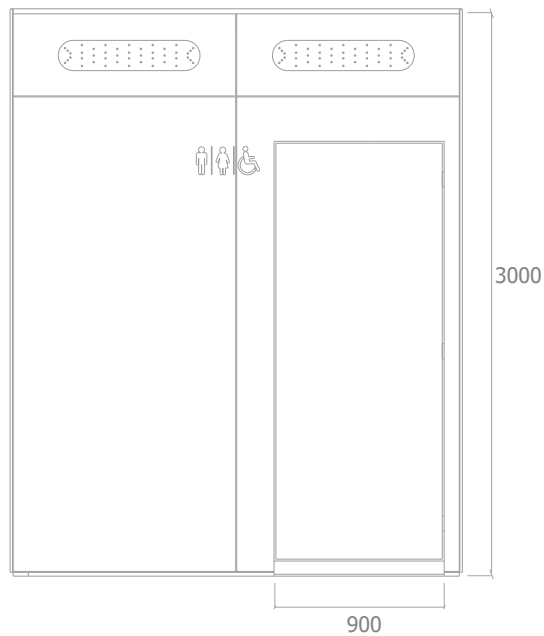
Rampa de entrada em metal - sob consulta | Rampa de entrada de metal - bajo pedido | Rampe d'accès en métal - sur demande | Metal entrance ramp - on request

Fixação | Fijación | Fixation | Fixing - **A1**

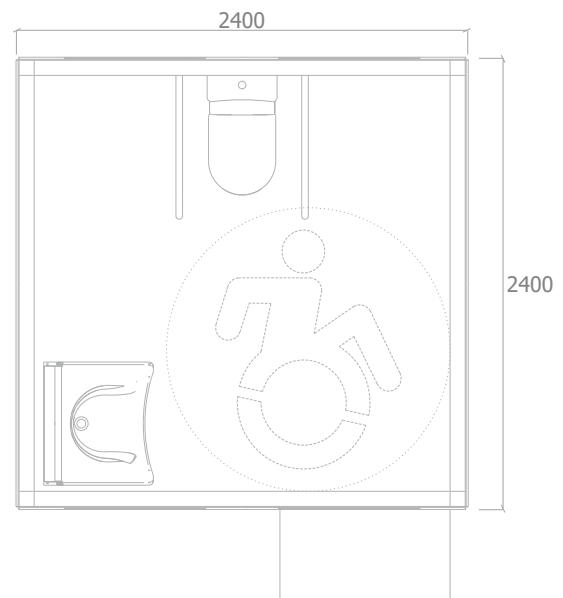
Opção: inst. elétrica e trab. de const. civil | Opción: instalación eléctrica, y toda la obra civil | Option: installation électrique, et tous travaux de génie civil | Option: electrical installation, and all civil works

Inclui loijas sanitárias | Incluye sanitarios | Comprend les sanitaires | Includes sanitary ware

Vista Frontal



Vista Superior



Ref: 23.22.1.2

Chapas de ventilação configuráveis | Placas de ventilación configurables | Plaques de ventilation configurables | Configurable ventilation plates

Config.1



Config.2



Config.3



Config.4



Config.5



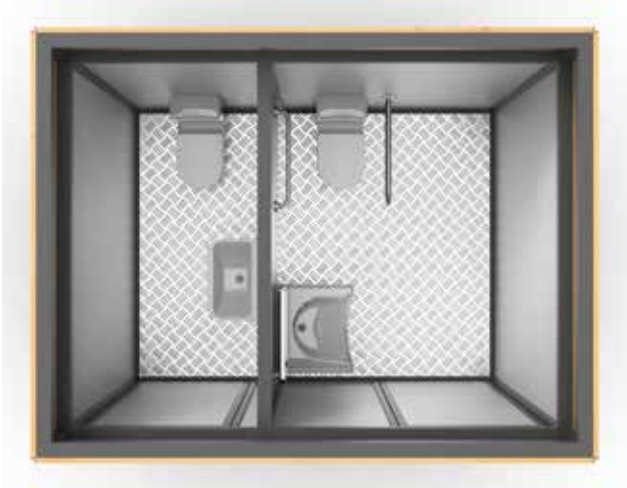
Config.6



Outras cores e/ou dimensões disponíveis sob consulta | Otros colores y/o dimensiones disponibles bajo pedido | Autres couleurs et/ou dimensions disponibles sur demande | Other colors and/or sizes are available on request

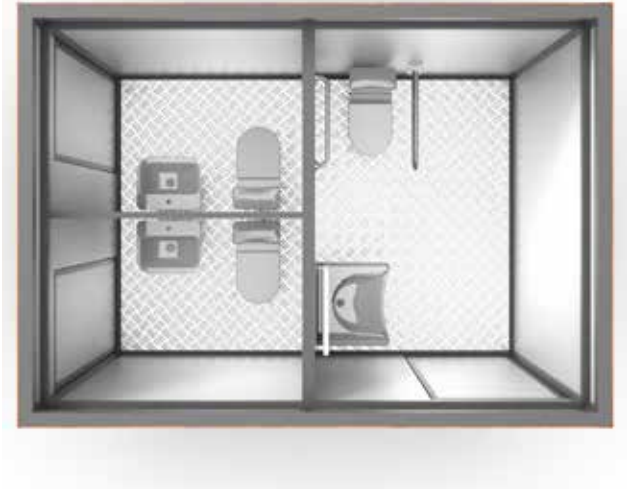
# WC DUPLO PAINEL

Design Microcubo | Ref: 23.22.2.1



# WC TRIPLO PAINEL

Design Microcubo | Ref: 23.22.3.1



## WC PAINEL

Ferro | Hierro | Acier | Steel (**S235JR**)

Rev. compacto fenólico | Revestimiento de resina fenólica | Revêtement en résine phénolique | Phenolic resin coating

Porta de entrada com aro em alumínio | Puerta de entrada con marco de aluminio | Porte d'entrée avec cadre en aluminium | Entrance door with aluminum frame

Rev. do solo chapa anti-derrapante | Plaque de revêtement de sol antidérapante | Non-slip floor-cladding panels

Rev. interior compacto fenólico | Revestimiento de resina fenólica | Revêtement en résine phénolique | Phenolic resin coating

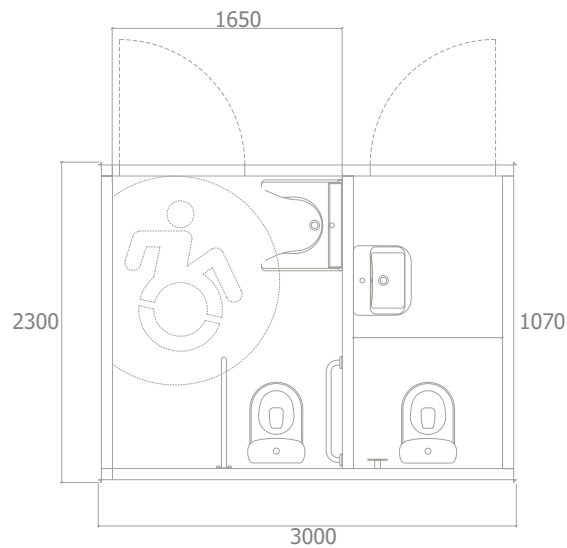
Teto Falso/Cobertura em painel sandwich | Falso techo en panel sándwich | Faux plafond en panneau sandwich | False ceiling in sandwich panel

Rampa de entrada em metal - sob consulta | Rampa de entrada de metal - bajo pedido | Rampe d'accès en métal - sur demande | Metal entrance ramp - on request

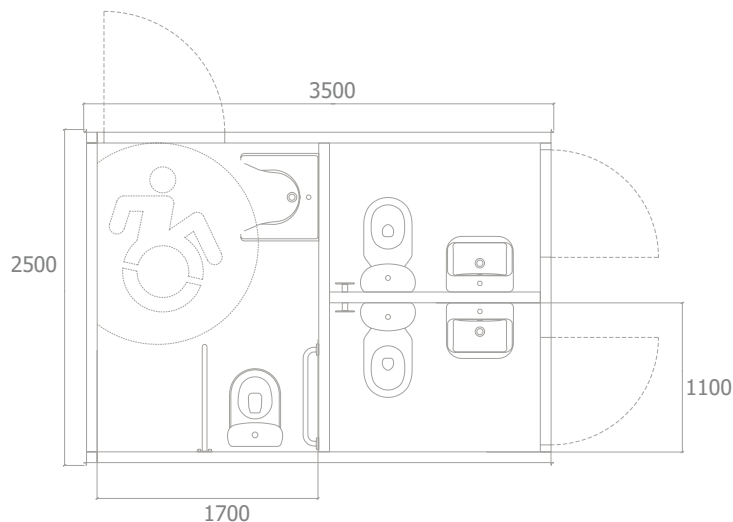
Fixação | Fijación | Fixation | Fixing - **A1**

Opção: inst. elétrica e trab. de const. civil | Opción: instalación eléctrica, y toda la obra civil | Option: installation électrique, et tous travaux de génie civil | Option: electrical installation, and all civil works

Inclui loiças sanitárias | Incluye sanitarios | Comprend les sanitaires | Includes sanitary ware



Ref: 23.22.2.1



Ref: 23.22.3.1

Chapas de ventilação configuráveis | Placas de ventilación configurables | Plaques de ventilation configurables | Configurable ventilation plates

Config.1



Config.2



Config.3



Config.4



Config.5



Config.6



Outras cores e/ou dimensões disponíveis sob consulta | Otros colores y/o dimensiones disponibles bajo pedido | Autres couleurs et/ou dimensions disponibles sur demande | Other colors and/or sizes are available on request

# WC AUTO LAVÁVEL PAINEL

Design Microcubo | Ref: 23.22.4.1



# WC AUTO LAVÁVEL PAINEL

Ferro | Hierro | Acier | Steel (**S235JR**)

Rev. compacto fenólico | Revestimiento de resina fenólica | Revêtement en résine phénolique | Phenolic resin coating

Porta de entrada em aço inox | Puerta de entrada de acero inoxidable | Porte d'entrée en acier inoxydable | Stainless steel entry door

Rev. do solo em cerâmico | Revestimiento de suelo cerámico | Revêtement de sol céramique | Ceramic floor coating

Rev. interior em cerâmico | Revestimiento interior cerámico | Revêtement intérieur en céramique | Interior ceramic coating

Teto Falso/Cobertura em painel sandwich | Falso techo en panel sándwich | Faux plafond en panneau sandwich | False ceiling in sandwich panel

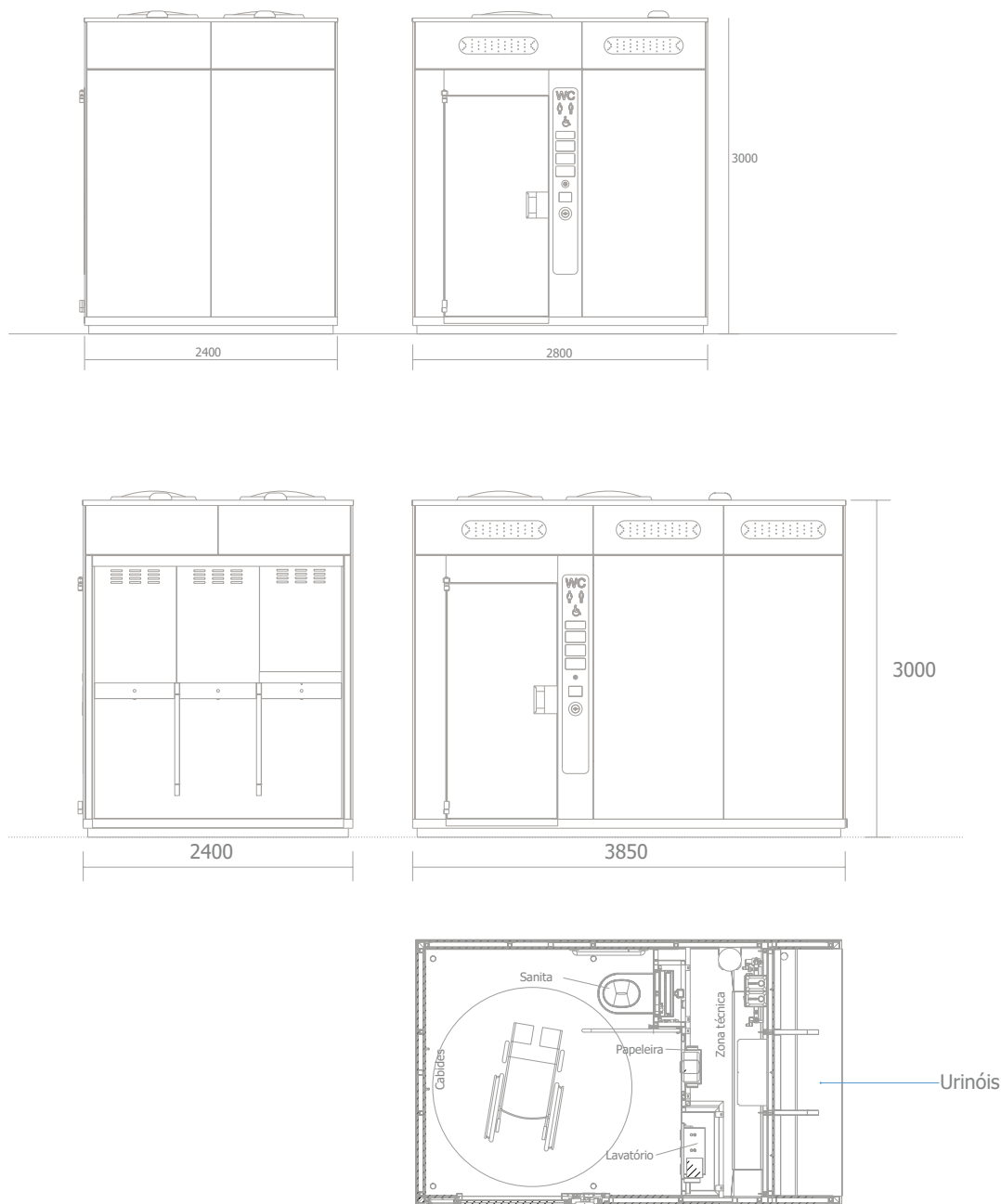
Chapas de ventilação configuráveis | Placas de ventilación configurables | Plaques de ventilation configurables | Configurable ventilation plates

Rampa de entrada em metal - sob consulta | Rampa de entrada de metal - bajo pedido | Rampe d'accès en métal - sur demande | Metal entrance ramp - on request

Fixação | Fijación | Fixation | Fixing - **A1**

Opção: inst. elétrica e trab. de const. civil | Opción: instalación eléctrica, y toda la obra civil | Option: installation électrique, et tous travaux de génie civil | Option: electrical installation, and all civil works

Inclui loiças sanitárias | Incluye sanitarios | Comprend les sanitaires | Includes sanitary ware



Chapas de ventilação configuráveis | Placas de ventilación configurables | Plaques de ventilation configurables | Configurable ventilation plates

Config.1



Config.2



Config.3



Config.4



Config.5



Config.6



Outras cores e/ou dimensões disponíveis sob consulta | Otros colores y/o dimensiones disponibles bajo pedido | Autres couleurs et/ou dimensions disponibles sur demande | Other colors and/or sizes are available on request



# WC AUTO LAVÁVEL HALPA

Design Microcubo | Ref: 71.22.4.1 - Cerâmica



Design Microcubo | Ref: 71.22.4.1 - Aço galvanizado lacado



Design Microcubo | Ref: 71.22.4.1 - Aço corten



Design Microcubo | Ref: 71.22.4.1 - Aço inoxidável



## WC AUTO LAVÁVEL HALPA

Ferro | Hierro | Acier | Steel (**S235JR**)

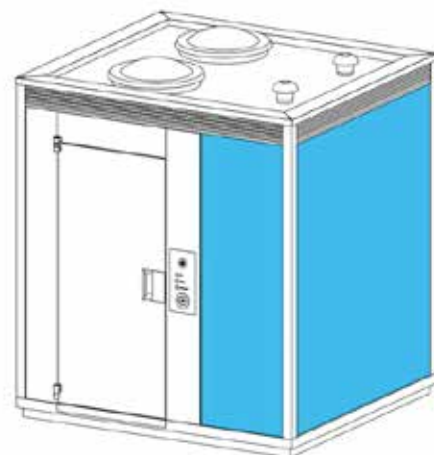
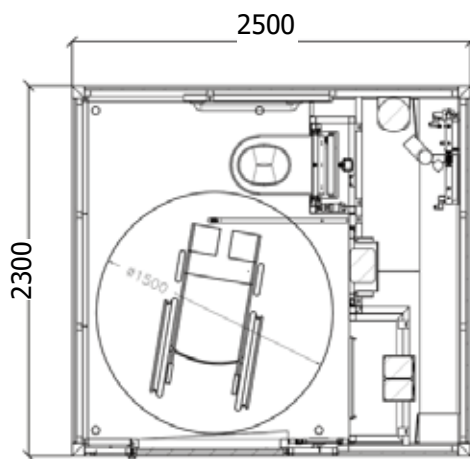
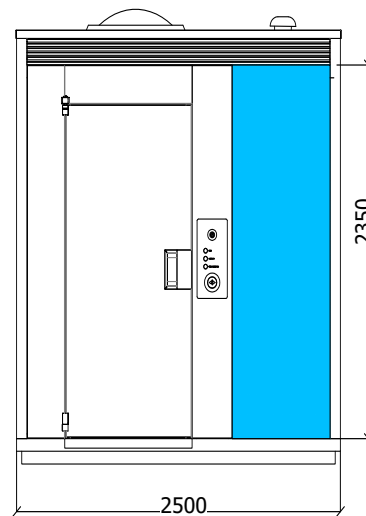
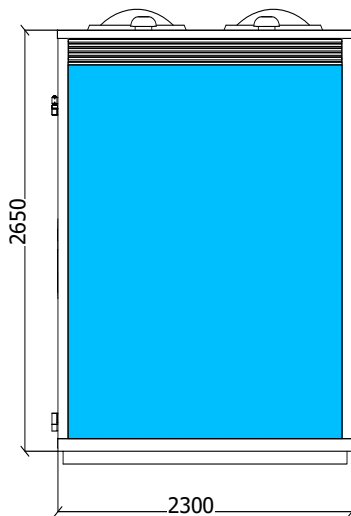
Opção de rev. interior em aço corten, aço inoxidável e aço galvanizado lacado | Opción de revestimiento interior en acero corten, acero inoxidable y acero galvanizado lacado | Possibilité de revêtement intérieur en acier corten, acier inoxydable et acier galvanisé laqué | Interior coating options in corten steel, stainless steel and lacquered galvanized steel

Opção de rev. interior cerâmica ou aço inox | Revestimiento interior de cerámica o acero inoxidable | Option d'habillage intérieur en céramique ou en acier inoxydable | Option of ceramic or stainless steel interior coating

Porta em aço inox | Puerta de acero inoxidable | Porte en acier inoxydable | Stainless steel door

Fixação | Fijación | Fixation | Fixing - **A1**

Inclui loiças sanitárias e instalação eléctrica | Incluye sanitarios e instalación eléctrica | Comprend les sanitaires et l'installation électrique | Includes sanitary ware and electrical installation



## A1 - SEM FIXAÇÃO

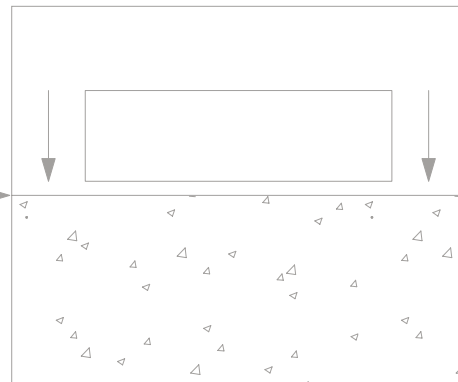
Método empregue em peças de um peso considerável. Consiste no posicionamento da peça no local exacto, sendo necessários meios de movimentação para a sua colocação.

Este método se utiliza para piezas de peso considerable. Consiste en colocar la pieza en el lugar exacto, sin necesidad de medios de movimiento para colocarla.

Méthode utilisée sur des pièces de poids considérable. Il consiste à positionner la pièce à l'endroit exact, moyen de déplacement nécessaire pour sa mise en place.

Method used on pieces of considerable weight. It consists of positioning the piece in the exact place, with necessary means of movement for its proper placement.

Linha de Solo



## A2 - VARÃO NERVURADO

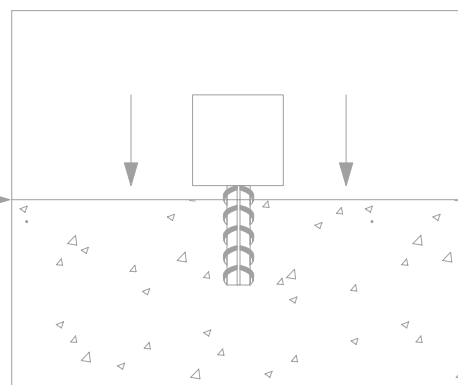
Método convencional de fixação permanente. Consiste em um ou mais varões nervurados soldados à peça que, serão fixos directamente à fundação de betão.

Método convencional de anclaje permanente. Consiste en una o varias barras nervadas soldadas a la parte que se fijará directamente a la cimentación de hormigón.

Méthode conventionnelle de fixation permanente. Il est constitué d'une ou plusieurs tiges nervurées soudées à la pièce qui seront fixées directement à la fondation en béton.

Conventional method of permanent fastening. It consists of one or more ribbed rods welded to the piece that will be fixed directly to the concrete foundation.

Linha de Solo



## A3 - VARÃO ROSCADO, PORCA E ANILHA

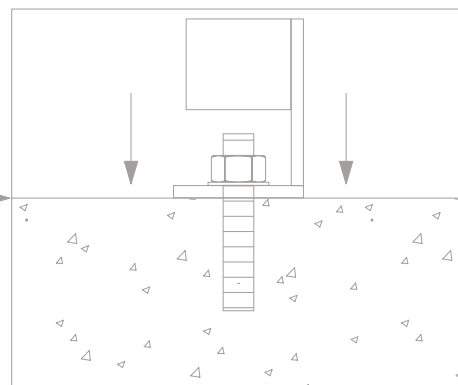
Método convencional de fixação. A peça terá furação, permitindo a sua fixação com recurso a varão roscado, porca e anilha em inox (fornecidas juntamente com a peça). Este método permite a remoção da peça.

Método convencional de fijación. La pieza dispondrá de perforación, permitiendo su fijación mediante una varilla roscada, tuerca y arandela (suministrada con la pieza). Este método permite la retirada de la pieza.

Méthode de fixation conventionnelle. La pièce aura des trous, permettant sa fixation à l'aide d'une tige filettée, d'une écrou et d'une rondelle en acier inoxydable (fournies avec la pièce). Cette méthode permet au enlèvement de pièce.

Conventional method of fastening. The piece will have holes, allowing its fastening with the threaded rod, nut and stainless steel washer (supplied together with the piece). This method allows for the part to be removed.

Linha de Solo



## A4 - BUCHA METÁLICA - CABEÇA EMBEBER

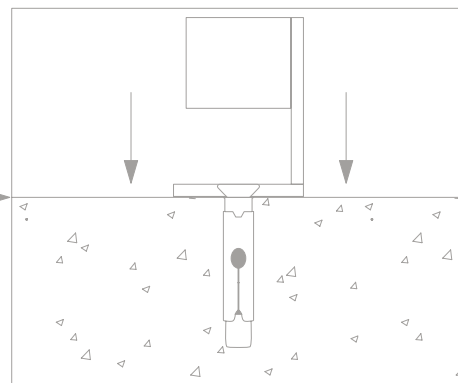
Método convencional de fixação. A peça terá furação escariada, permitindo a sua fixação com recurso a bucha metálica em inox (fornecida juntamente com a peça). Este método permite uma fácil remoção da peça.

Método de fijación convencional. La pieza tendrá agujeros avellanados, lo que permitirá su fijación mediante un casquillo metálico de acero inoxidable (suministrado con la pieza). Este método permite retirar fácilmente la pieza.

Méthode de fixation conventionnelle. La pièce aura des trous fraisés, permettant sa fixation à l'aide de la cheville en acier inoxydable (fournie avec la pièce). Cette méthode permet un retrait facile de pièce.

Conventional method of fastening. This piece will have countersunk holes, allowing its fastening using the metal dowel (supplied together with the piece). This method allows for easy removal of the part.

Linha de Solo



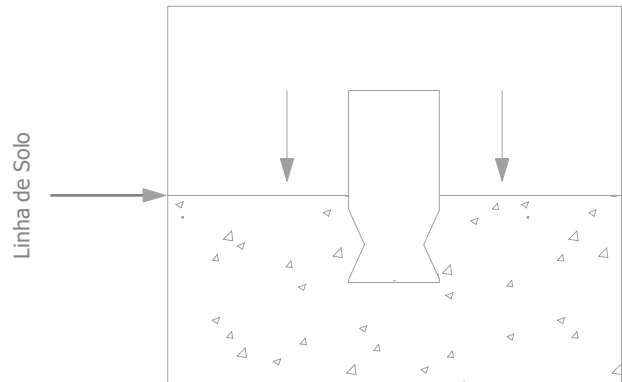
## A5 - FIXAÇÃO DIRETA - DEFORMAÇÃO

Método de fixação permanente. Consiste na fixação direta da peça directamente à fundação de betão. É feita uma ligeira deformação na região da peça que fica encastrada no solo para prevenir eventuais remoções ilícitas.

Método de fijación permanente. Consiste en la fijación directa de la pieza directamente a la cimentación de hormigón. Se realiza una ligera deformación en la región de la pieza que se incrusta en el suelo para evitar eventuales extracciones ilícitas.

Méthode de fixation permanente. Il consiste en la fixation directe de la pièce directement sur la fondation en béton. Une légère déformation est effectuée dans la région de la pièce qui est enfoncée dans le sol pour empêcher tout enlèvement illicite.

Permanent fastening method. It consists of the direct fastening of the part directly to the concrete foundation. A slight deformation is made in the part of the piece that is embedded in the ground to prevent any illicit removal.



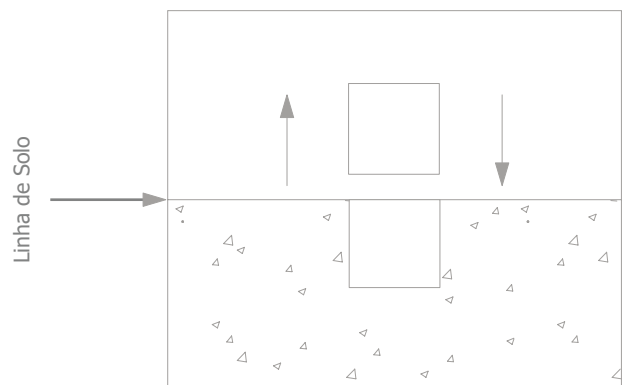
## A6 - FIXAÇÃO DIRETA - NEGATIVO

Consiste na fixação direta de um negativo da peça directamente à fundação de betão. A peça será posteriormente fixa ao negativo.

Consiste en fijar directamente un negativo de la pieza directamente a la cimentación de hormigón. Posteriormente se fijará la pieza al negativo.

Consiste à fixer directement un négatif de la pièce directement sur la fondation en béton. La pièce sera ensuite fixée au négatif.

It consists of directly fixing a negative of the part directly to the concrete foundation. The piece will later be fixed to the negative.



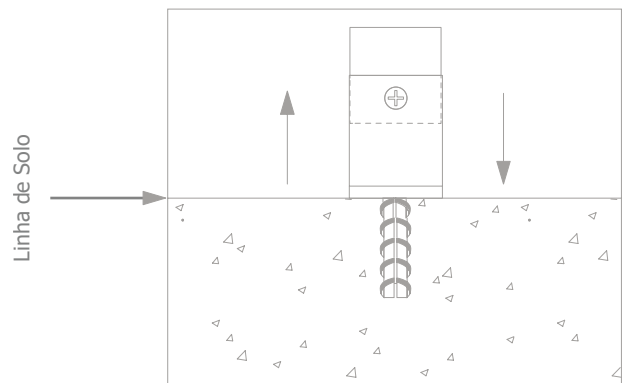
## A7 - CHUMBADOURO - VARÃO NERVURADO

É composto por um ou mais varões nervurados soldados a elementos metálicos que serão fixos directamente à fundação de betão. A peça será, à posteriori, fixa ao chumbadouro através de parafusos em inox.

Consiste en una o más barras nervadas soldadas a elementos metálicos que se fijarán directamente a la cimentación de hormigón. Posteriormente se fijará la pieza al anclaje mediante tornillería de acero inoxidable.

Est composé d'une ou plusieurs versions nervurées soudées à éléments métalliques qui seront fixés directement à la fondation de béton. La pièce sera, a posteriori, fixée à l'ancrage à l'aide vis en acier inoxydable.

It consists of one or more ribbed rods welded to metal elements that will be fixed directly to the concrete foundation. The piece will later be fixed to the anchor using stainless steel screws.



## A8 - ABRAÇADEIRA METÁLICA

Método empregue em peças que serão fixas a postes. A peça terá dois a três rasgos para permitir que a abraçadeira metálica, fixe a peça ao respectivo poste.

Método utilizado en piezas que serán fijadas a postes. La pieza tendrá de dos a tres ranuras para permitir que la abrazadera metálica fije la pieza al respectivo poste.

Méthode utilisée dans les parties qui seront fixées aux poteaux. La pièce aura deux à trois fentes pour permettre à la pince métallique de fixer la pièce au poteau respectif.

Method used in parts that will be fixed to poles. The piece will have two to three slots to allow the metal clamp to secure the piece to the respective post.

